

# SALES & ENGINEERING DATA

RATIO SERIES: **1:1**

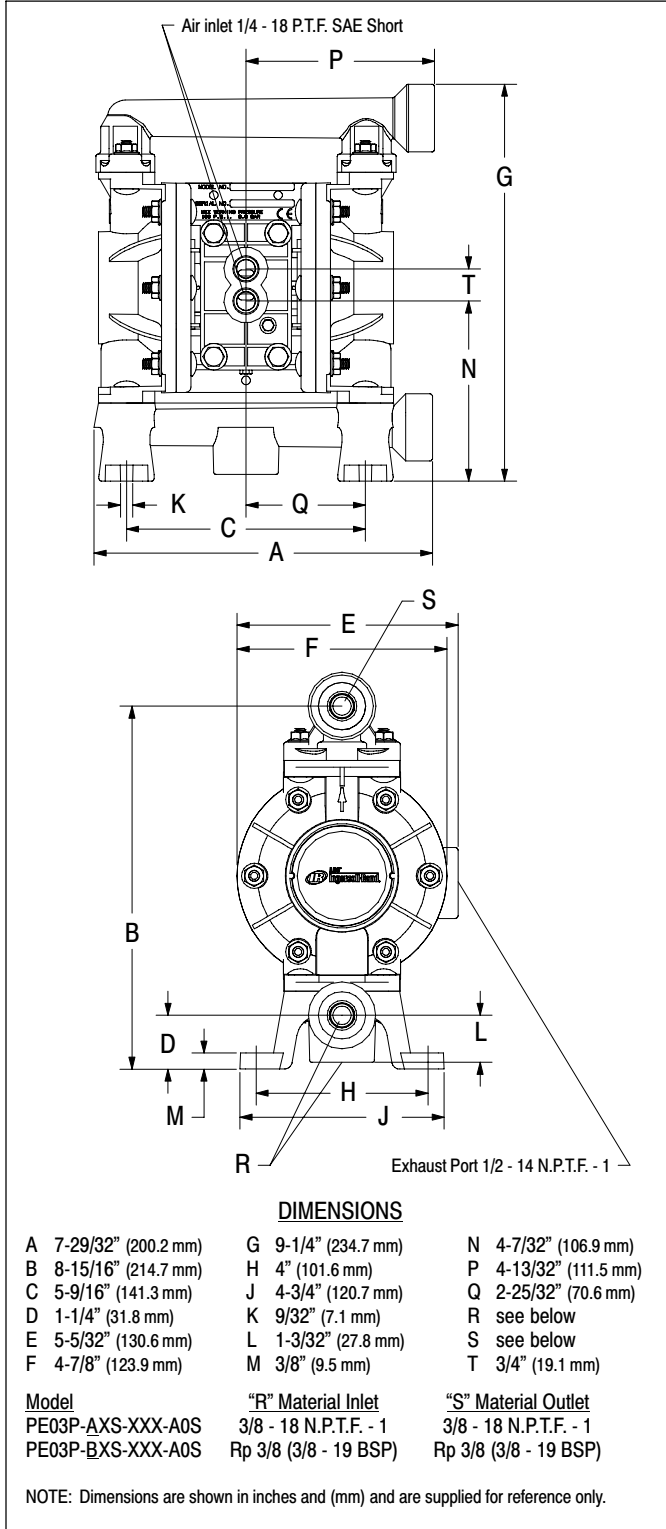
FLUID P.S.I. RANGE: **10 - 100**

## PE03P-XXS-XXX-A0S

### 3/8" NON-METALLIC DIAPHRAGM PUMP

RELEASED: 6-8-06  
 REVISED: 6-9-10  
 (REV. 03) S-1398

#### DIMENSIONAL DATA



#### SPECIFICATIONS

##### CONSTRUCTION

Model Series ..... PE03P-XXS-XXX-A0S  
 Pump Type ..... Non-Metallic, Air Operated, Double Diaphragm  
 Ratio ..... 1:1  
 Material Inlet / Outlet (female)  
 PE03P-AXS-XXX-A0S ..... 3/8 - 18 N.P.T.F. - 1  
 PE03P-BXS-XXX-A0S ..... Rp 3/8 (3/8 - 19 BSP parallel)  
 Air Inlet (female) ..... 1/4 - 18 P.T.F. SAE short  
 Air Exhaust (standard) ..... internal  
 (optional) (female) ..... 1/2 - 14 N.P.T.F. - 1  
 Weight .. PE03P-XDS-XXX-A0S .. 3.74 lbs (1.70 kgs)  
 PE03P-XES-XXX-A0S .. 3.84 lbs (1.74 kgs)  
 PE03P-XKS-XXX-A0S .. 4.08 lbs (1.85 kgs)  
 PE03P-XLS-XXX-A0S .. 4.20 lbs (1.91 kgs)  
 PE03P-XPS-XXX-A0S .. 3.02 lbs (1.37 kgs)  
 PE03P-XRS-XXX-A0S .. 3.08 lbs (1.40 kgs)  
 Air Section Service Kit ..... 637428  
 Fluid Section Service Kit ..... 637429-XX

PE03P-XXS- X X X -A0S

637429 - X X

Diaphragm Material  
 Ball Material

EXAMPLE: Model #PE03P-ARS-SAA-A0S  
 Fluid Section Service Kit is 637429-AA

##### PERFORMANCE

Air Inlet Pressure Range ..... 10 - 100 p.s.i. (0.69 - 6.9 bar)  
 Maximum Material Inlet Pressure ... 10 p.s.i. (0.69 bar)  
 Fluid Outlet Pressure Range ..... 10 - 100 p.s.i. (0.69 - 6.9 bar)  
 Maximum Flow Rate (flooded inlet) .. 10.6 g.p.m. (40.1 l.p.m.)  
 Displacement / Cycle @ 100 p.s.i. .. 0.022 gal. (0.083 lit.)  
 Maximum Particle Size ..... 1/16" dia. (1.6 mm)  
 Maximum Temperature Limits (diaphragm / ball / seat material)  
 Acetal ..... 10° to 180° F (-12° to 82° C)  
 Hytrel ..... -20° to 150° F (-29° to 66° C)  
 Kynar PVDF ..... 10° to 200° F (-12° to 93° C)  
 Polypropylene ..... 35° to 150° F (2° to 66° C)  
 Santoprene ..... -40° to 225° F (-40° to 107° C)  
 PTFE ..... 40° to 225° F (4° to 107° C)  
 Viton ..... -40° to 350° F (-40° to 177° C)  
 Noise Level @ 70 p.s.i. - 60 c.p.m. ... 72.7 db(A)①

##### Notes:

① The pump sound pressure level has been updated to an Equivalent Continuous Sound Level ( $L_{Aeq}$ ) to meet the intent of ANSI S1. 13-1971, CAGI-PNEUROPS S5.1 using four microphone locations.

##### ACCESSORIES:

66073-1 Air Line Connection Kit  
 67388 Wall Mount Bracket Assembly  
 93110 Muffler  
 637438 Ported Exhaust Kit

# PERFORMANCE CURVES

## PE03P-XXS-XXX-A0S 3/8" NON-METALLIC DIAPHRAGM PUMP

