



STA-RITE®

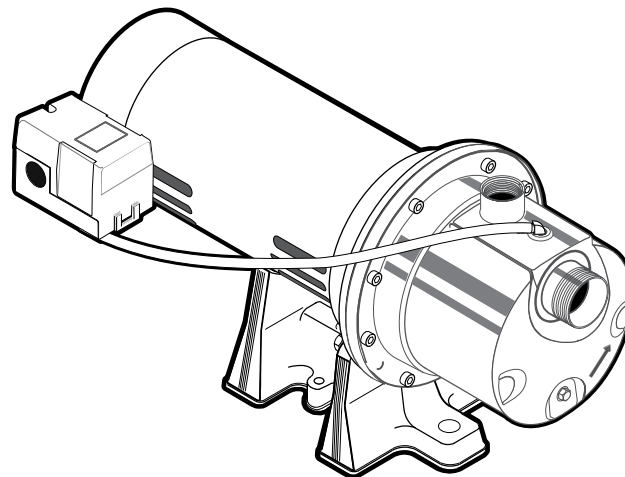
OWNER'S MANUAL
**Shallow Well Jet Pumps/
Tank Systems**

NOTICE D'UTILISATION

**Pompes à éjecteur
pour puits peu profonds**

MANUAL DEL USUARIO

**Bombas de chorro para pozos
poco profundos**



Series CJ

Installation/Operation/Parts

For further operating, installation, or maintenance assistance:

Call 1-888-782-7483

EnglishPages 2-11

Installation/Fonctionnement/Pièces

Pour plus de renseignements concernant l'utilisation, l'installation ou l'entretien,

Composer le 1 (888) 782-7483

FrançaisPages 12-21

Instalación/Operación/Piezas

Para mayor información sobre el funcionamiento, instalación o mantenimiento de la bomba:

Llame al 1-888-782-7483

Español Paginas 22-31

Important Safety Instructions

SAVE THESE INSTRUCTIONS - This manual contains important instructions that should be followed during installation, operation, and maintenance of the product. Save this manual for future reference.

⚠ This is the safety alert symbol. When you see this symbol on your pump or in this manual, look for one of the following signal words and be alert to the potential for personal injury!

⚠ DANGER indicates a hazard which, if not avoided, will result in death or serious injury.

⚠ WARNING indicates a hazard which, if not avoided, could result in death or serious injury.

⚠ CAUTION indicates a hazard which, if not avoided, could result in minor or moderate injury.

NOTICE addresses practices not related to personal injury.

Carefully read and follow all safety instructions in this manual and on pump.

Keep safety labels in good condition. Replace missing or damaged safety labels.

California Proposition 65 Warning

⚠ WARNING This product and related accessories contain chemicals known to the State of California to cause cancer, birth defects or other reproductive harm.

Electrical Safety

⚠ WARNING Hazardous voltage. Capacitor voltage may be hazardous. To discharge motor capacitor, hold insulated handle screwdriver **BY THE HANDLE** and short capacitor terminals together. Do not touch metal screwdriver blade or capacitor terminals. If in doubt, consult a qualified electrician.

General Safety

⚠ CAUTION Risk of burns. Do not touch an operating motor. Motors are designed to operate at high temperatures. To avoid burns when servicing pump, allow it to cool for 20 minutes after shut-down before handling.

Do not allow pump or any system component to freeze. To do so will void warranty.

Pump water only with this pump.

Periodically inspect pump and system components.


Wear safety glasses at all times when working on pumps.

Keep work area clean, uncluttered and properly lighted; store properly all unused tools and equipment.

Keep visitors at a safe distance from the work areas.

⚠ WARNING Risk of explosion. Pump body may explode if used as a booster pump.

⚠ WARNING

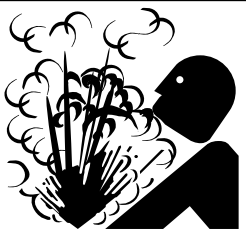


Hazardous voltage.
Can shock, burn, or cause death.

Ground pump before connecting to power supply. Disconnect power before working on pump, motor or tank.

- ⚠** Wire motor for correct voltage. See “Electrical” section of this manual and motor nameplate.
- ⚠** Ground motor before connecting to power supply.
- ⚠** Meet National Electrical Code, Canadian Electrical Code, and local codes for all wiring.
- ⚠** Follow wiring instructions in this manual when connecting motor to power lines.

⚠ WARNING



Hazardous pressure!
Install pressure relief valve in discharge pipe.
Release all pressure on system before working on any component.

Limited Warranty

STA-RITE warrants to the original consumer purchaser ("Purchaser" or "You") of the products listed below, that they will be free from defects in material and workmanship for the Warranty Period shown below.

Product	Warranty Period
Water Systems Products — jet pumps, small centrifugal pumps, submersible pumps and related accessories	<i>whichever occurs first:</i> 12 months from date of original installation, or 18 months from date of manufacture
Pro-Source™ Composite Tanks	5 years from date of original installation
Pro-Source™ Steel Pressure Tanks	5 years from date of original installation
Pro-Source™ Epoxy-Lined Tanks	3 years from date of original installation
Sump/Sewage/Effluent Products	12 months from date of original installation, or 18 months from date of manufacture

Our warranty will not apply to any product that, in our sole judgement, has been subject to negligence, misapplication, improper installation, or improper maintenance. Without limiting the foregoing, operating a three phase motor with single phase power through a phase converter will void the warranty. Note also that three phase motors must be protected by three-leg, ambient compensated, extra-quick trip overload relays of the recommended size or the warranty is void.

Your only remedy, and STA-RITE's only duty, is that STA-RITE repair or replace defective products (at STA-RITE's choice). You must pay all labor and shipping charges associated with this warranty and must request warranty service through the installing dealer as soon as a problem is discovered. No request for service will be accepted if received after the Warranty Period has expired. This warranty is not transferable.

STA-RITE SHALL NOT BE LIABLE FOR ANY CONSEQUENTIAL, INCIDENTAL, OR CONTINGENT DAMAGES WHATSOEVER. THE FOREGOING WARRANTIES ARE EXCLUSIVE AND IN LIEU OF ALL OTHER EXPRESS AND IMPLIED WARRANTIES, INCLUDING BUT NOT LIMITED TO THE IMPLIED WARRANTIES OF MERCHANTABILITY AND FITNESS FOR A PARTICULAR PURPOSE. THE FOREGOING WARRANTIES SHALL NOT EXTEND BEYOND THE DURATION EXPRESSLY PROVIDED HEREIN.

Some states do not allow the exclusion or limitation of incidental or consequential damages or limitations on the duration of an implied warranty, so the above limitations or exclusions may not apply to You. This warranty gives You specific legal rights and You may also have other rights which vary from state to state.

This Limited Warranty is effective June 1, 2011 and replaces all undated warranties and warranties dated before June 1, 2011.

STA-RITE INDUSTRIES

293 Wright Street • Delavan, WI U.S.A. 53115

Phone: 1-888-782-7483 • Fax: 1-800-426-9446 • Web Site: sta-rite.com

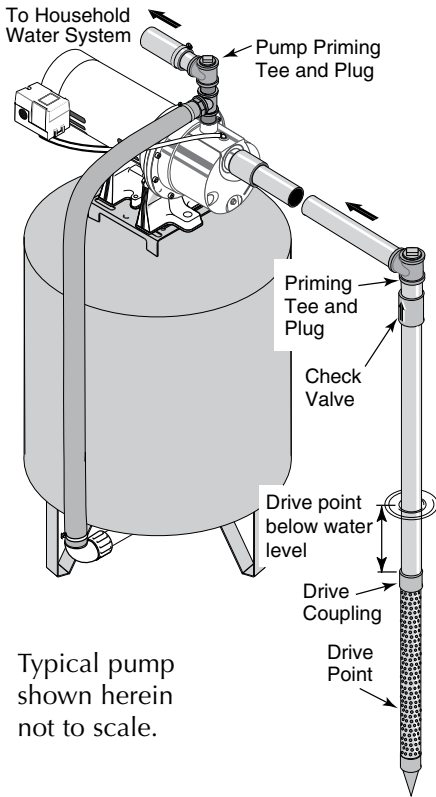


Figure 1: Driven Point Installation

Replacing An Old Pump

⚠ WARNING Hazardous voltage. Disconnect power to pump before working on pump or motor.

1. Drain and remove the old pump. Check the old pipe for scale, lime, rust, etc., and replace it if necessary.
2. Install the pump in the system. Make sure that all pipe joints in the suction pipe are air-tight as well as water tight. If the suction pipe can suck air, the pump will not be able to pull water from the well.
3. Adjust the pump mounting height so that the plumbing connections do not put a strain on the pump body. Support the pipe so that the pump body does not take the weight of piping or fittings.

You have just completed the well plumbing for your new shallow well jet pump. Please go to Page 6 for discharge pipe and tank connections.

Well Point (Driven Point) Installation (Figure 1)

1. Drive the well, using “drive couplings” and a “drive cap”. “Drive fittings” are threaded all the way through and allow the pipe ends to butt against each other so that the driving force of the maul is carried by the pipe and not by the threads. The ordinary fittings found in hardware stores are not threaded all the way through the fitting and can collapse under impact. “Drive fittings” are also smoother than standard plumbing fittings, making ground penetration easier.
2. Mount the pump as close to the well as possible.
3. Use the fewest possible fittings (especially elbows) when connecting the pipe from the well point to the pump suction port. The suction pipe should be at least as large as the suction port on the pump (include a check valve if your pump is not equipped with one – see Figure 1). Support the pipe so that there are no dips or sags in the pipe, so it doesn’t strain the pump body, and so that it slopes slightly upward from the well to the pump (high spots can cause air pockets which can air lock the pump). Seal the suction pipe joints with PTFE pipe thread sealant tape or a PTFE-based pipe joint compound. Joints must be air- and water-tight. If the suction pipe can suck air, the pump cannot pull water from the well. If one well point does not supply enough water, consider connecting two or three well points to one suction pipe.

You have just completed the suction piping for your new shallow well jet pump. Please go to Page 6 for discharge pipe and tank connections.

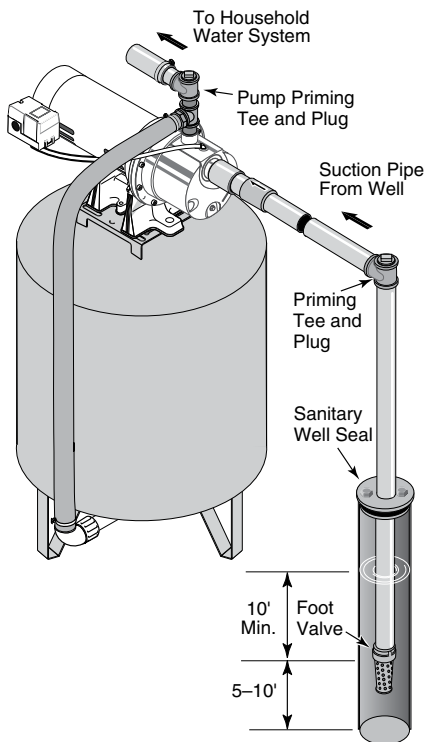


Figure 2: Cased Well Installation

Cased Well Installation, 2” or Larger Casing (Figure 2)

1. Mount the pump as close to the well as possible.
2. Assemble the foot valve, strainer, and well pipe (see Figure 2). Make sure that the foot valve works freely.
3. Lower the pipe into the well until the strainer is five feet above the bottom of the well. It should also be at least 10 feet below the well’s water level while the pump is running in order to prevent the pump from sucking air. Install a sanitary well seal.

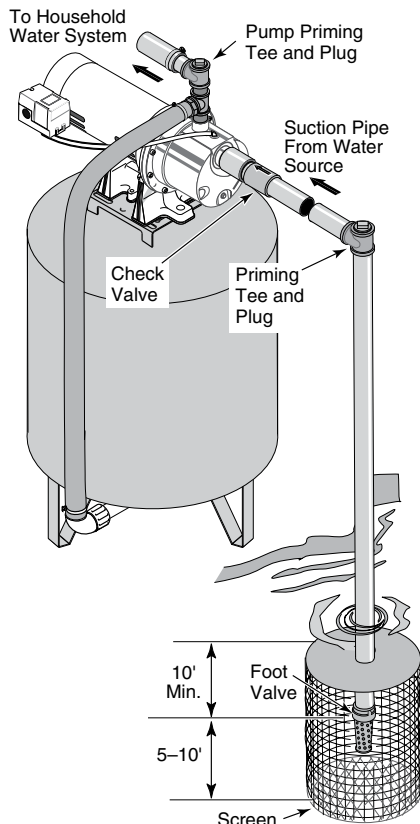


Figure 3: Surface Water Installation

4. Install a priming tee, priming plug, and suction pipe to the pump (see Figure 2). Connect the pipe from the well to the pump suction port, using the fewest possible fittings – especially elbows – as fittings increase friction in the pipe (however, include a foot valve – see Figure 2). The suction pipe should be at least as large as the suction port on the pump. Support the pipe so that there are no dips or sags in the pipe, so it doesn't strain the pump body, and so that it slopes slightly upward from the well to the pump (high spots can cause air pockets which can air lock the pump). Seal the suction pipe joints with PTFE pipe thread sealant tape or a PTFE-based pipe joint compound. Joints must be air- and water-tight. If the suction pipe can suck air, the pump cannot pull water from the well.

You have just completed the suction piping for your new shallow well jet pump. Please go to Page 6 for discharge pipe and tank connections.

Installation for Surface Water (Figure 3)

CAUTION Possible contamination. Do not use surface water for drinking. The installation shown could be used for sprinkler applications.

1. The pump should be installed as close to the water as possible, with the fewest possible fittings (especially elbows) in the suction pipe. The suction pipe should be at least as large as the suction port on the pump.
2. Assemble a foot valve and suction pipe (see Figure 3). Make sure that the foot valve works freely. Use PTFE pipe thread sealant tape or a PTFE-based pipe joint compound on threaded pipe joints. Protect the foot valve assembly from fish, trash, etc, by installing a screen around it (see Figure 3).
3. Lower the pipe into the water until the strainer is five feet above the bottom. It should also be at least 10 feet below the water level in order to prevent the pump from sucking air.
4. Install a priming tee, priming plug, and suction pipe to the pump (see Figure 3). Support the pipe so that there are no dips or sags in the pipe, so it doesn't strain the pump body, and so that it slopes slightly upward from the well to the pump (high spots can cause air pockets which can air lock the pump). Seal the suction pipe joints with PTFE pipe thread sealant tape or a PTFE-based pipe joint compound. Joints must be air- and water-tight. If the suction pipe can suck air, the pump cannot pull water from the water source.

You have just completed the plumbing for your new shallow well jet pump. Please go to Page 6 for discharge pipe and tank connections.

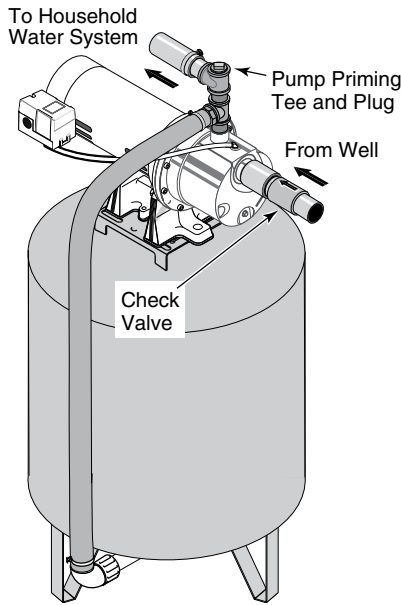


Figure 4: Pre-charged Tank Connections

Pre-Charge Tank Connection (Figure 4)

1. Install two tees in the pump discharge port (see Figure 4). The pipe size must be at least as large as the discharge port.
2. Run a pipe or reinforced hose from one arm of the first tee to the port on the pre-charged tank.
3. Connect the other end of the discharge tee to your plumbing system. Cap the tee with a threaded plug or a pressure gauge.
4. Check the pre-charge of air in the tank with an ordinary tire gauge. The pre-charge should be 2 PSI less than the cut-in setting of the pump's pressure switch. Adjust the tank pre-charge pressure to 28 PSI for a model CJ90E pump (30/50 pressure switch), or to 38 PSI for a model CJ90F pump (40/60 pressure switch).

Congratulations! You have just completed the tank connection for your jet pump. Please go to Page 7 for electrical hookup.

Sealing Pipe Joints

Use only PTFE pipe thread sealant tape or PTFE-based joint compounds for making all threaded connections to the pump itself. **Do not use pipe joint compounds on plastic pumps:** they can react with the plastic in pump components. Make sure that all pipe joints in the suction pipe are air tight as well as water tight. *If the suction pipe can suck air, the pump will not be able to pull water from the well.*

⚠ Disconnect power before working on pump, motor, pressure switch, or wiring.

Motor Switch Settings

NOTICE: 1 and 1-1/2 HP motors are dual voltage and are factory set to 230 V. The motor terminal board (located under the motor end cover) should look like that shown below. Use the instructions to set your motor to match your power source.

⚠ WARNING Never connect a motor set to 115 V to a 230 V power source.

Plug Type Voltage Selector

Voltage is set to 230 V. To change to 115 V:

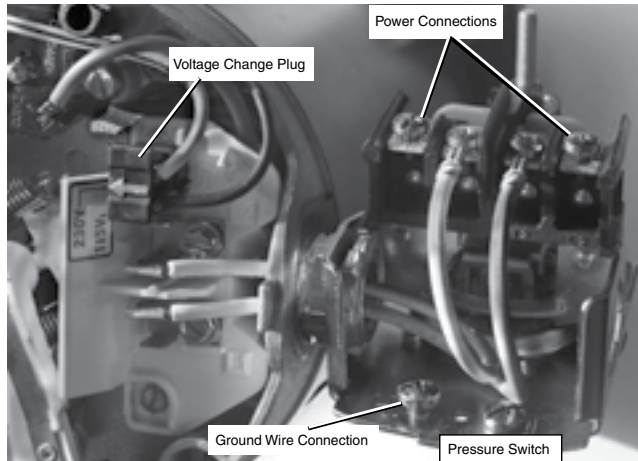


Figure 5: Voltage set to 230 V, Plug Type

1. Make sure power is off.
2. Pull the voltage change plug off of the tabs.
3. Move the voltage change plug to the 115 V position. The plug will now cover 2 metal tabs and the arrow on the plug will line up with the 115 V arrow on the label (see Figure 6).



Figure 6: Voltage set to 115 V, Plug Type

4. Attach the incoming power leads to the two outer screws on the pressure switch as shown in Figure 5.
5. Attach the ground wire to one of the grounding connections, shown in Figure 5.
6. If there are other wires, they should be capped.
7. Reinstall the motor end and pressure switch covers.

Dial Type Voltage Selector

Voltage is set to 230 volts. To change to 115 V:

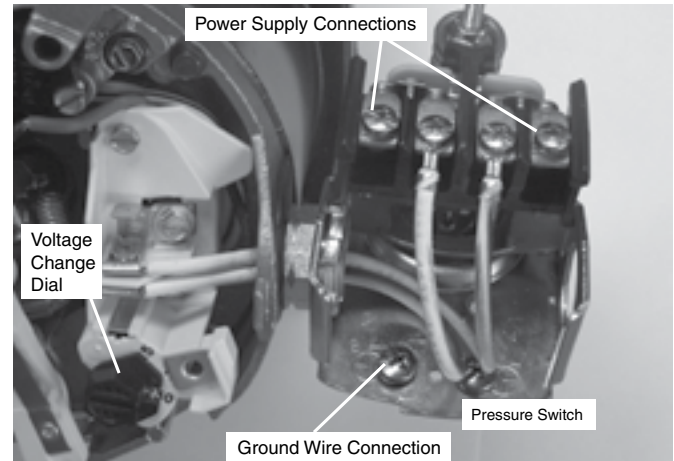


Figure 7: Voltage set to 230 V, Dial Type

1. Make sure power is off.
2. Turn the dial counter-clockwise until 115 shows in the dial window as shown in Figure 8.



Figure 8: Voltage set to 115 V, Dial Type

3. Attach the incoming power leads to the two outer screws on the pressure switch as shown in Figure 7.
4. Attach the ground wire to the grounding connections as shown in Figure 7.
5. If there are other wires, they should be capped.
6. Reinstall the motor end and pressure switch covers.

⚠ WARNING Hazardous voltage. Can shock, burn, or kill. Connect ground wire before connecting power supply wires. Use the wire size (including the ground wire) specified in the wiring chart. If possible, connect the pump to a separate branch circuit with no other appliances on it.

⚠ WARNING Risk of explosion. Do not ground to a gas supply line.

Wiring Connections

⚠ WARNING Risk of fire. Incorrect voltage can cause a fire or seriously damage the motor and voids the warranty. The supply voltage must be within ±10% of the motor nameplate voltage.

NOTICE: Dual-voltage motors may be set for 115 V or 230 V. If necessary, reset the motor to the desired voltage, as shown. Do not alter the wiring in single voltage motors.

Install, ground, wire, and maintain your pump in compliance with the National Electrical Code (NEC) or the Canadian Electrical Code (CEC), as applicable, and with all local codes and ordinances that apply. Consult your local building inspector for code information.

Connection Procedure:

1. Connect the ground wire first as shown in Figure 5. The ground wire must be a solid copper wire at least as large as the power supply wires.
2. There must be a solid metal connection between the pressure switch and the motor for motor grounding protection. If the pressure switch is not connected to the motor, connect the green ground screw in the switch to the green ground screw under the motor end cover. Use a solid copper wire at least as large as the power supply wires.
3. Connect the ground wire to a grounded lead in a service panel, to a metal underground water pipe, to a metal well casing at least ten feet (3 m) long, or to a ground electrode provided by the power company or the hydro authority.
4. Connect the power supply wires to the pressure switch as shown in Figure 5.

You have just completed the wiring for your pump.

Please go to Page 9 for startup preparations.

Wiring Chart – Recommended Wire and Fuse Sizes

Motor HP	Volts	Max. Load Amp	Branch Fuse Rating Amp	DISTANCE IN FEET (M) FROM MOTOR TO SUPPLY				
				0 - 100 (0-30)	101 - 200 (31-61)	201 - 300 (62-91)	301 - 400 (92-122)	401 - 500 (123-152)
				AWG WIRE SIZE (mm ²)				
1	115/230	14.8/7.4	20/15	12/14 (3/2)	8/14 (8.4/2)	6/14 (14/2)	6/12 (4/3)	4/10 (21/5.5)
1-1/2	115/230	19.2/9.6	25/15	10/14 (5.5/2)	8/14 (8.4/2)	6/12 (14/3)	4/10 (21/5.5)	4/10 (21/5.5)

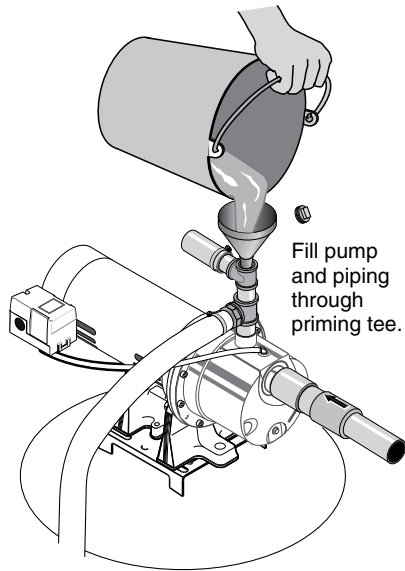


Figure 9: Prime the Pump

Priming

⚠ WARNING Risk of explosion. Never run pump against closed discharge. To do so can boil water inside pump, causing hazardous pressure in unit, risk of explosion and possibly scalding persons handling pump.

⚠ CAUTION Risk of burns. Never run pump dry. Running pump without water may cause pump to overheat, damaging seal and possibly causing burns to persons handling pump. Fill pump with water before starting.

1. Remove the priming plug or tee from the pump and fill the pump, fill all piping between the pump and the well, and make sure that all piping in the well is full. If you have also installed a priming tee in the suction piping, remove the plug from the tee and fill the suction piping.
2. Replace all fill plugs. Open a sink faucet.
3. Power on! Start the pump. If you don't have water after 2 or 3 minutes, stop the pump and remove the fill plugs. Refill the pump and piping. You may have to repeat this several times in order to get all the trapped air out of the piping. A pump lifting water 25' may take as long as 15 minutes to prime.
4. After the pump begins building pressure in the system, shut the faucet off. Let the pump build pressure until it shuts off. Check the pressure switch operation by opening a faucet or two and running enough water out to bleed off pressure until the pump starts. The pump should start when pressure drops to 30 PSI and stop when pressure reaches 50 PSI. Run the pump through one or two complete cycles to verify correct operation. This will also help clean the system of dirt and scale dislodged during installation.

	<p>NOTICE</p> <p>Pump and piping will be damaged if frozen and not drained.</p> <p>Follow winterizing instructions.</p>
--	--

Winterizing the Pump

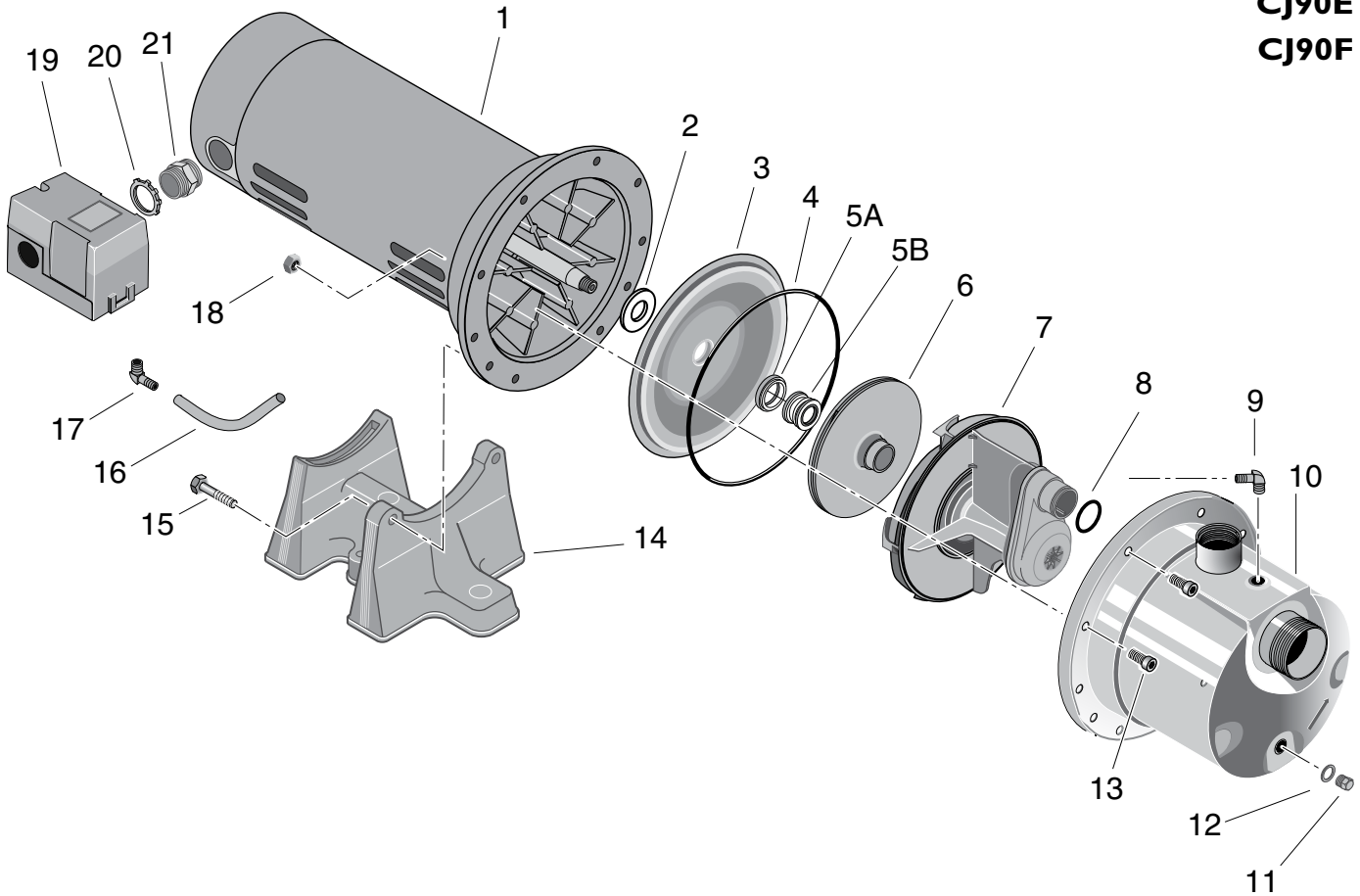
To prepare the pump for freezing temperatures:

1. Shut off power to the pump.
2. Relieve system pressure. Open a faucet and let it drain until water stops flowing.
3. Drain the pump. Your pump may have a separate drain plug. Remove this plug and let it drain.

Your pump may only have a plug or connection on the side of the pump. Remove this and let the pump drain. Some water will remain in the pump. Leave the plug out until you are ready to re-prime.

Symptom	Possible Cause(s)	Corrective Action
Motor will not run	Disconnect switch is off	Be sure switch is on.
	Fuse is blown or circuit breaker tripped	Replace fuse or reset circuit breaker.
	Starting switch is defective	DISCONNECT POWER; Replace starting switch.
	Wires at motor are loose, disconnected, or wired incorrectly	Refer to instructions on wiring. DISCONNECT POWER; check and tighten all wiring. ⚠️ WARNING Hazardous voltage. Capacitor voltage may be hazardous. To discharge capacitor, hold insulated handle screwdriver BY THE HANDLE and short capacitor terminals together. Do not touch metal screwdriver blade or capacitor terminals. If in doubt, consult a qualified electrician.
Motor runs hot and overload kicks off	Motor is wired incorrectly	Refer to instructions on wiring.
	Voltage is too low	Check with power company. Install heavier wiring if wire size is too small (See <i>Electrical / Wiring Chart</i>).
	Pump cycles too frequently	See section below on too frequent cycling.
Motor runs but no water is delivered* * Stop pump; then check prime before looking for other causes. Unscrew priming plug and see if water is in priming hole.	Pump in new installation did not pick up prime through: 1. Improper priming 2. Air leaks 3. Leaking foot valve or check valve	In new installation: 1. Re-prime according to instructions. 2. Check all connections on suction line and AVC with shaving cream. 3. Replace foot valve or check valve.
	Pump in existing installation has lost prime through: 1. Air leaks 2. Water level below suction pipe inlet	In installation already in use: 1. Check all connections on suction line and shaft seal. 2. Lower suction line into water and re-prime. If receding water level in well exceeds 25' (7.6M), a deep well pump is needed.
	Foot valve or strainer is plugged	Clean foot valve or strainer.
	Nozzle or impeller is plugged	Clean Nozzle or impeller.
	Check valve or foot valve is stuck shut	Replace check valve or foot valve.
	Pipes are frozen	Thaw pipes. Bury pipes below frost line. Heat pit or pump house.
	Foot valve and/or strainer are buried in sand or mud	Raise foot valve and/or strainer above bottom of water source. Clean foot valve and strainer.
	Water level is too low for shallow well setup to deliver water	A deep well jet will be needed if your well is more than 25' (7.6M) depth to water.
Pump does not deliver water to full capacity (Also check point 3 immediately above)	Steel piping (if used) is corroded or limed, causing excess friction	Replace with plastic pipe where possible, otherwise with new steel pipe.
	Piping is too small in size	Use larger piping.
Pump delivers water but does not shut off or pump cycles too frequently	Pressure switch is out of adjustment or contacts are welded together	DISCONNECT POWER; adjust or replace pressure switch.
	Faucets have been left open	Close faucets.
	Venturi, nozzle or impeller is clogged	Clean venturi, nozzle or impeller.
	Standard pressure tank is waterlogged and has no air cushion	Drain tank to air volume control port. Check AVC for defects. Check all connections for air leaks.
	Pipes leak	Check connections.
	Foot valve leaks	Replace foot valve.
	Pressure switch is out of adjustment	Adjust or replace pressure switch.
Air charge too low in pre-charged tank	DISCONNECT POWER and open faucets until all pressure is relieved. Using tire pressure gauge, check air pressure in tank at valve stem located on the tank. If less than pressure switch cut-in setting (30-50 PSI), pump air into tank from outside source until air pressure is 2 PSI less than cut-in setting of switch. Check air valve for leaks (use soapy solution) and replace core if necessary.	
Air spurts from faucets	Pump is picking up prime	When pump has picked up prime, it should pump solid water with no air.
	Leak in suction side of pump	Suction pipe is sucking air. Check joints for leaks with shaving cream.
	Well is gaseous	Consult factory about installing a sleeve in the well.
	Intermittent over-pumping of well. (Water drawn down below foot valve.)	Lower foot valve if possible, otherwise restrict pump discharge.


CJ90E
CJ90F



Ref.	Description	Qty.	CJ90E 1 HP	CJ90F 1-1/2 HP
1	Motor	1	J218-1006	J218-1007
2	Slinger	1	C69-7	
3	Seal Plate	1	784S0070	
4	O-Ring	1	111P0490	
5A	Shaft Seal Seat	1	111P0510	
5B	Shaft Seal Rotating	1	111P0500	
6	Impeller	1	101P1720	101P1730
7	Venturi	1	101P2900	
8	O-Ring	1	111P1100	
9	90° Hose Barb	1	171P4750T	
10	Pump Body	1	723S0850	
11	Plug, Stainless Steel	1	121P2100	
12	Washer	1	111P0990	
13	Screw, Socket Head	8	121P0310	
14	Base	1	C4-42P	
15	Bolt	2	U30-74SS	
16	Pressure Switch Tube	1	U37-672P	U37-673P
17	1/4" NPT 90° Hose Barb	1	U111-212T	
18	Nut, M6x1 SS	8	U36-207SS	
19	Pressure Switch	1	U217-1202	U217-1204
20	1/2" Locknut	1	U36-112ZP	
21	Connector	1	L43-5C	

Directives de sécurité importantes

Conservez ces directives – Ce manuel renferme d’importantes directives qu’il faut suivre durant l’installation et l’entretien de la pompe.

Ce symbole  indique qu’il faut être prudent. Lorsque ce symbole apparaît sur la pompe ou dans cette Notice, rechercher une des mises en garde qui suivent, car elles indiquent un potentiel de blessures corporelles!

Le mot signal **DANGER** indique un danger qui, s’il n’est pas évité, causera la mort ou des blessures graves.

Le mot signal **AVERTISSEMENT** indique un risque qui, s’il n’est pas évité, pourrait causer la mort ou des blessures graves.

Le mot signal **ATTENTION** indique un risque qui, s’il n’est pas évité, pourrait causer des blessures mineures ou modérées.

Le mot **AVIS** est utilisé pour les pratiques qui ne sont pas reliées aux blessures personnelles.

Lire attentivement toutes les consignes de sécurité contenues dans cette Notice ou collées sur la pompe.

Garder les autocollants de sécurité en bon état; les remplacer s’ils manquent ou s’ils ont été endommagés.

Avertissement lié à la Proposition 65 de la Californie

AVERTISSEMENT Ce produit et les accessoires connexes contiennent des produits chimiques reconnus dans l’État de la Californie comme pouvant provoquer des cancers, des anomalies congénitales ou d’autres dangers relatifs à la reproduction.

Sécurité concernant l’électricité

AVERTISSEMENT Tension dangereuse. La tension du condensateur peut être dangereuse. Pour décharger le condensateur du moteur, tenir un tournevis à manche isolé **PAR LE MANCHE** et mettre en court-circuit les bornes du condensateur. Ne pas toucher la lame métallique du tournevis ni les bornes du condensateur. En cas de doute, consulter un électricien qualifié.

Sécurité générale

ATTENTION Risque de brûlures. Ne pas toucher un moteur qui fonctionne. Les moteurs modernes sont conçus pour fonctionner par des températures élevées. Pour ne pas se brûler lorsque l’on interviendra sur la pompe, la laisser refroidir pendant 20 minutes après l’avoir arrêtée avant de la toucher.

Ne pas laisser geler la pompe ni aucun autre élément du système, sinon la garantie sera annulée.

Ne pomper que de l’eau avec cette pompe.

Périodiquement, inspecter la pompe et tous les éléments du système.

Toujours porter des lunettes de sécurité lorsque l’on intervient sur une pompe.

Garder la zone de travail propre, non encombrée et bien éclairée; tous les outils et tout l’équipement non utilisés doivent être entreposés correctement.

Ne pas laisser les visiteurs s’approcher de la zone de travail.




AVERTISSEMENT Risque d’explosion. Le corps de la pompe peut exploser.


AVERTISSEMENT




Tension dangereuse. Risque de secousses électriques, de brûlures, voire de mort.

Mettre à la terre la pompe avant de la brancher sur le courant électrique. Couper l’arrivée de courant avant d’intervenir sur la pompe, sur le moteur ou sur le réservoir.

-  Câbler le moteur en fonction de la bonne tension. Voir la Section «Électricité» de cette Notice et la plaque signalétique du moteur.
-  Mettre à la terre le moteur avant de le brancher sur le courant électrique.
-  Conforme au Code national de l’électricité, au Code canadien de l’électricité et aux codes municipaux pour tous les câblages.

 **Respecter les instructions de câblage figurant dans cette Notice lorsque l’on branche le moteur sur une ligne haute tension.**

AVERTISSEMENT



Pression dangereuse!

Poser une soupape de sûreté sur le tuyau de refoulement.

Dissiper toute la pression du système avant d’intervenir sur un élément.

Garantie limitée

STA-RITE garantit au consommateur initial (ci-après appelé l'« Acheteur ») que les produits énumérés dans les présentes sont exempts de défaut de matériau et de fabrication pendant la durée des garanties à compter de la durée des garanties indiquées ci-dessous.

Produits	Durée des garanties
Produits de systèmes d'eau — Pompes à éjecteur, petites pompes centrifuges, pompes submersibles et tous les accessoires connexes	<i>Selon le premier terme atteint :</i> 12 mois à compter de la date de la première installation ou 18 mois à compter de la date de fabrication
Réservoirs composites Pro-Source™	5 ans à compter de la date de la première installation
Réservoirs sous pression en acier Pro-Source™	5 ans à compter de la date de la première installation
Réservoirs revêtus d'époxyde Pro-Source™	3 ans à compter de la date de la première installation
Produits de puisard/d'égout/d'effluents	12 mois à compter de la date de la première installation ou 18 mois à compter de la date de fabrication

Nos garanties ne s'appliquent pas aux produits ayant fait l'objet de négligence, d'une mauvaise utilisation, d'une mauvaise installation ou d'un manque d'entretien adéquat. Sans aucune limitation des présentes, la garantie des moteurs triphasés submersibles sera nulle et non avenue si ces moteurs sont branchés et fonctionnent sur le courant monophasé par l'intermédiaire d'un déphaseur. Il faut également noter que les moteurs triphasés doivent être protégés par un relais de surcharge tripolaire thermocompensé à déclenchement extrêmement rapide du calibre recommandé, sinon la garantie sera nulle et non avenue.

Le seul recours de l'Acheteur et la seule responsabilité de STA-RITE consistent à réparer ou à remplacer (au choix de STA-RITE) les produits qui se révéleraient défectueux. L'Acheteur s'engage à payer tous les frais de main d'œuvre et d'expédition du produit couvert par sa garantie et de s'adresser au concessionnaire-installateur ayant procédé à l'installation dès qu'un problème est découvert pour obtenir un service sous garantie. Aucune demande de service en vertu de sa garantie ne sera acceptée après expiration de la durée de sa garantie. Ces garanties ne sont pas transférables.

STA-RITE DÉCLINE TOUTE RESPONSABILITÉ POUR TOUT DOMMAGE INDIRECT OU FORTUIT QUEL QU'IL SOIT.

LA GARANTIE LIMITÉE SUSMENTIONNÉE EST EXCLUSIVE ET REMPLACE TOUTES LES AUTRES GARANTIES EXPRESSES ET TACITES, Y COMPRIS, MAIS SANS S'Y LIMITER, LES GARANTIES DE QUALITÉ MARCHANDE ET D'ADAPTATION À UN USAGE PARTICULIER. LA GARANTIE LIMITÉE SUSMENTIONNÉE NE DOIT PAS ÊTRE PROLONGÉE AU-DELÀ DE LA DURÉE PRÉVUE AUX PRÉSENTES.

Certains états, territoires et certaines provinces ne permettent pas l'exclusion ou la limitation des dommages indirects ou fortuits, ni les limitations relatives à la durée des garanties tacites. Par conséquent, il se peut que les limitations ou les exclusions stipulées dans les présentes ne s'appliquent pas dans ce cas. Ces garanties accordent des droits juridiques précis, bien que l'on puisse bénéficier d'autres droits, selon la province, le territoire ou l'état dans lequel on réside.

La présente garantie limitée est entrée en vigueur le 1er juin 2011 et remplace toute garantie non datée ou antérieure à cette date.

STA-RITE INDUSTRIES

293 Wright Street • Delavan, WI U.S.A. 53115

Tél. : 1 888-782-7483 • Télécopieur : 1 800 426-9446 • Site Web : sta-rite.com

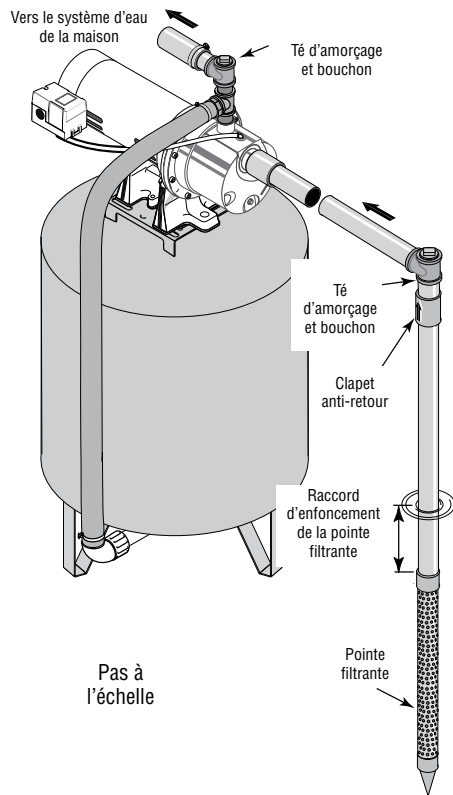


Figure 1: Installation avec une pointe filtrante

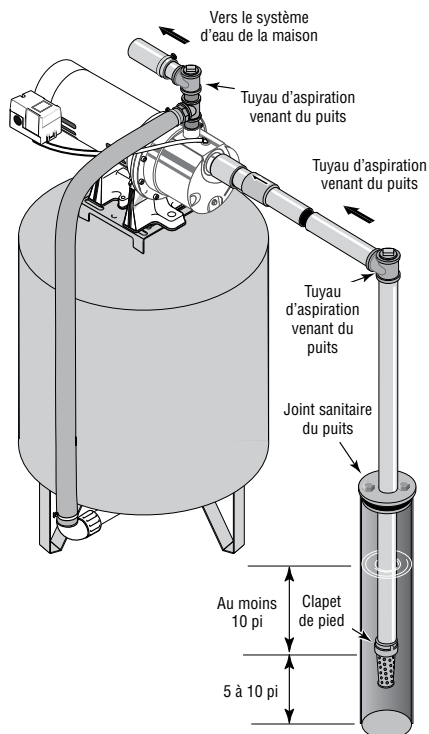


Figure 2 : Installation dans un puits à tubage

Remplacement d'une ancienne pompe

⚠ AVERTISSEMENT Tension dangereuse. Couper l'arrivée de courant à la pompe avant d'intervenir sur la pompe ou sur le moteur.

- 1 ° Vider toute l'eau de l'ancienne pompe; déposer l'ancienne pompe. Vérifier l'ancienne tuyauterie à la recherche de dépôts de tartre, de chaux, de rouille, etc.; la remplacer selon le besoin.
- 2 ° Brancher la pompe sur le système. S'assurer que tous les raccords du tuyau d'aspiration sont bien étanches, aussi bien à l'air qu'à l'eau. Si le tuyau d'aspiration aspire de l'air, la pompe ne pompera pas l'eau du puits.
- 3 ° Régler la hauteur de montage de la pompe de façon que les raccords de plomberie n'exercent aucune contrainte sur le corps de la pompe. Supporter les tuyaux de façon que le corps de la pompe ne supporte pas le poids de la tuyauterie ni des raccords.

Le branchement de cette pompe à éjecteur neuve pour puits profonds sur la tuyauterie du puits est maintenant terminé. Passer à la page 16 pour le branchement de la tuyauterie de refoulement et sur un réservoir.

Installation de la pointe filtrante (Figure 1)

- 1 ° Enfoncer la pointe dans le sol, en utilisant des «raccords d'enfoncement» et des «chapeaux de battage». Les «raccords d'enfoncement» sont filetés sur toute leur longueur, ce qui permet aux extrémités des tuyaux de venir en butée l'une contre l'autre de façon que la force d'enfoncement du maillet soit absorbée par le tuyau et non pas par les filets. Les raccords ordinaires que l'on trouve dans les quincailleries ne sont pas filetés sur toute leur longueur et ils risquent de s'écraser sous l'impact des coups. Les «raccords d'enfoncement» sont également plus lisses que les raccords de plomberie standard, ce qui leur permet de pénétrer plus facilement dans le sol.
- 2 ° Monter la pompe aussi près que possible du puits.
- 3 ° Utiliser le moins possible de raccords (en particulier des coudes) lorsque l'on branche la tuyauterie de la pointe filtrante sur l'orifice d'aspiration de la pompe. Le diamètre du tuyau d'aspiration doit être au moins aussi grand que le diamètre de l'orifice d'aspiration de la pompe (y compris le clapet anti-retour si la pompe n'en comporte pas un - voir la Figure 1). Supporter le tuyau de façon qu'il ne soit pas cintré afin qu'il n'exerce pas de contraintes sur le corps de la pompe; de plus, il doit être légèrement incliné vers le haut, du puits jusqu'à la pompe (les points hauts risquent de causer des poches et des bouchons d'air dans la pompe). Rendre étanches les raccords du tuyau d'aspiration avec du ruban d'étanchéité en PTFE pour filetage ou une pâte pour raccords filetés à base de PTFE. Les raccords doivent être étanches à l'air et à l'eau. Si le tuyau d'aspiration aspire de l'air, la pompe ne pompera pas l'eau du puits. Si une pointe filtrante ne fournit pas suffisamment d'eau, considérer brancher deux ou trois pointes filtrantes sur un même tuyau d'aspiration.

Le branchement de cette pompe à éjecteur neuve pour puits profonds sur la tuyauterie du puits est maintenant terminé. Passer à la page 16 branchement pour la tuyauterie de refoulement et sur un réservoir.

Installation sur un puits à tubage de 2 pouces de diamètre ou plus grand (Figure 2)

- 1 ° Monter la pompe aussi près que possible du puits.
- 2 ° Brancher le clapet de pied, la crépine et le tuyau du puits (voir la Figure 2). S'assurer que le clapet de pied fonctionne librement.
- 3 ° Abaisser le tuyau dans le puits jusqu'à ce que la crépine soit à cinq pieds du fond du puits. Pour que la pompe n'aspire pas d'air, la crépine doit être au moins à 10 pieds sous le niveau de l'eau du puits pendant que la pompe fonctionne. Poser un joint sanitaire de puits.

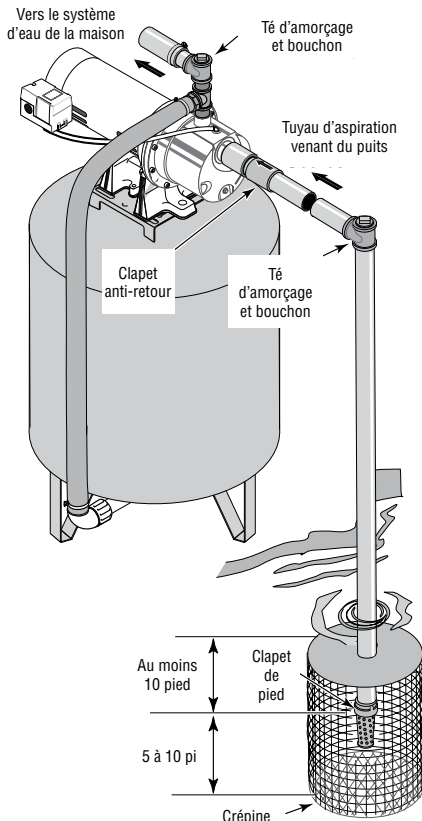


Figure 3 : Installation pour les eaux de surface

- 4 ° Poser le té d'amorçage, le bouchon d'amorçage et le tuyau d'aspiration sur la pompe (voir la Figure 2). Brancher le tuyau provenant du puits sur l'orifice d'aspiration de la pompe en utilisant le moins possible de raccords - en particulier des coudes - étant donné que les raccords augmentent le frottement de l'eau dans les tuyaux (il faut toutefois ajouter un clapet de pied — voir la Figure 2). Le diamètre du tuyau d'aspiration doit être au moins aussi grand que le diamètre de l'orifice d'aspiration de la pompe. Supporter le tuyau de façon qu'il ne soit pas cintré afin qu'il n'exerce pas de contraintes sur le corps de la pompe; de plus, il doit être légèrement incliné vers le haut, du puits jusqu'à la pompe (les points hauts risquent de causer des poches et des bouchons d'air dans la pompe). Rendre étanches les raccords du tuyau d'aspiration avec du ruban d'étanchéité en PTFE pour filetage ou une pâte pour raccords filetés à base de PTFE. Les raccords doivent être étanches à l'air et à l'eau. Si le tuyau d'aspiration aspire de l'air, la pompe ne pompera pas l'eau du puits.

Le branchement de cette pompe à éjecteur neuve pour puits profonds sur la tuyauterie du puits est maintenant terminé. Passer à la page 16 pour le branchement de la tuyauterie de refoulement et sur un réservoir.

Installation dans le cas d'eaux en surface (Figure 3)

⚠ ATTENTION Contamination possible. Ne pas boire l'eau de surface. L'installation montrée peut être utilisée pour l'arrosage.

- 1 ° Monter la pompe aussi près que possible du puits en utilisant le moins possible de raccords (en particulier des coudes) sur le tuyau d'aspiration. Le diamètre du tuyau d'aspiration doit être au moins aussi grand que le diamètre de l'orifice d'aspiration de la pompe.
- 2 ° Assembler le clapet de pied et le tuyau d'aspiration (voir la Figure 3). S'assurer que le clapet de pied fonctionne librement. Utiliser du ruban d'étanchéité en PTFE pour filetage ou de la pâte pour raccords filetés à base de PTFE sur les raccords filetés. Poser une crépine autour du clapet de pied pour le protéger contre les poissons, les déchets, etc. (voir la Figure 3).
- 3 ° Abaisser le tuyau dans le puits jusqu'à ce que la crépine soit à cinq pieds du fond du puits. Pour que la pompe n'aspire pas d'air, la crépine doit être au moins à 10 pieds sous le niveau de l'eau du puits pendant que la pompe fonctionne.
- 4 ° Poser le té d'amorçage, le bouchon d'amorçage et le tuyau d'aspiration sur la pompe (voir la Figure 3). Supporter le tuyau de façon qu'il ne soit pas cintré afin qu'il n'exerce pas de contraintes sur le corps de la pompe; de plus, il doit être légèrement incliné vers le haut, du puits jusqu'à la pompe (les points hauts risquent de causer des poches et des bouchons d'air dans la pompe). Rendre étanches les raccords du tuyau d'aspiration avec du ruban d'étanchéité en PTFE pour filetage ou une pâte pour raccords filetés à base de PTFE. Les raccords doivent être étanches à l'air et à l'eau. Si le tuyau d'aspiration aspire de l'air, la pompe ne pompera pas l'eau du puits.

Le branchement de cette pompe à éjecteur neuve pour puits profonds sur la tuyauterie du puits est maintenant terminé. Passer à la page 16 pour le branchement de la tuyauterie de refoulement et sur un réservoir.

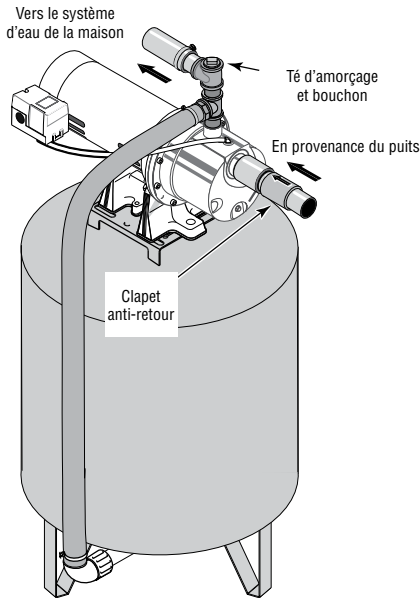


Figure 4 : Branchements sur un réservoir préchargé

Branchement sur un réservoir préchargé (Figure 4)

- 1 ° Poser deux té dans l'orifice de refoulement de la pompe (voir la Figure 4). Le diamètre du tuyau doit être au moins aussi grand que le diamètre de l'orifice de refoulement.
- 2 ° Poser un tuyau rigide ou un tuyau souple renforcé entre une des branches du premier té et l'orifice du réservoir préchargé.
- 3 ° Brancher l'autre extrémité du té de refoulement sur le système de la plomberie. Boucher le té avec un bouchon fileté ou un manomètre.
- 4 ° Vérifier la précharge d'air dans le réservoir avec un manomètre pour pneu. La précharge doit être de 2 lb/po² inférieure au réglage de la pression d'enclenchement du manocontacteur de la pompe. La précharge se mesure lorsqu'il n'y a pas de pression d'eau dans le réservoir. Ajustez le réservoir de pré-charge de la pression à 28 lb/po² pour une pompe CJ90E modèle (30/50 pressostat), ou à 38 lb/po² pour une pompe CJ90F modèle (40/60 pressostat).

Félicitations! Le branchement de la pompe à éjecteur sur le réservoir est maintenant terminé. Passer à la page 17 et 18 pour les branchements électriques.

Étanchéité des raccords des tuyaux

N'utiliser que du ruban d'étanchéité en PTFE pour filetage à base de PTFE pour procéder à tous les raccords filetés sur la pompe. **Ne pas utiliser de pâte pour raccords filetés sur les pompes en plastique** : cette pâte peut réagir avec les éléments en plastiques de la pompe. S'assurer que tous les raccords du tuyau d'aspiration sont bien étanches, aussi bien à l'air qu'à l'eau. *Si le tuyau d'aspiration aspire de l'air, la pompe ne pompera pas l'eau du puits.*

⚠ Débrancher le courant électrique avant d'intervenir sur la pompe, le moteur, le manostat ou le câblage.

Réglages de l'interrupteur du moteur

AVIS : Les moteurs de 1 et de 1-1/2 cheval sont des moteurs bitension. Ils ont été réglés en usine pour fonctionner sur le courant de 230 V. La plaquette de connexions des moteurs (logée sous le couvercle arrière du moteur) ressemble à une de celles illustrées ci-dessous. Se reporter aux instructions pour régler le moteur conformément à la source d'énergie.

⚠ AVERTISSEMENT Ne jamais brancher un moteur réglé à 115 V à une source d'alimentation de 230 V.

Sélecteur de tension à fiche

La tension est réglée en usine à 230 V. Pour passer au courant de 115 V :

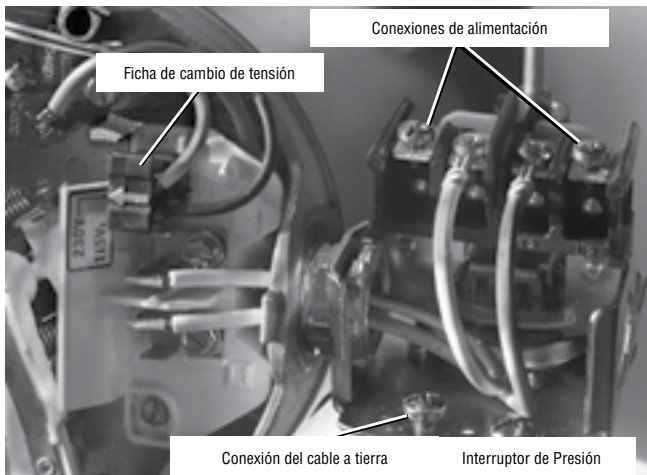


Figura 5: Tensión configurada para 230 V, tipo ficha.

1. S'assurer que le courant est coupé.
2. Décrocher la fiche de sélection de tension de ses pattes.
3. Déplacer la fiche sur le courant de 115 V. Sur cette position, la fiche couvre 2 pattes métalliques et la flèche sur la prise est alignée sur la flèche 115V de l'étiquette (figure 6).



Figura 6: Tensión configurada para 115 V, tipo ficha.

4. Fixer les fils d'arrivée de courant aux deux vis extérieures du manostat (figure 5).
5. Relier le fil de terre à l'une des bornes de mise à la terre (figure 5).
6. S'il y a d'autres fils, leurs bouts doivent être isolés.
7. Reposer les couvercles d'extrémité du moteur et du manostat.

Sélecteur de tension à cadran

La tension est réglée en usine à 230 V. Pour passer au courant de 115 V :

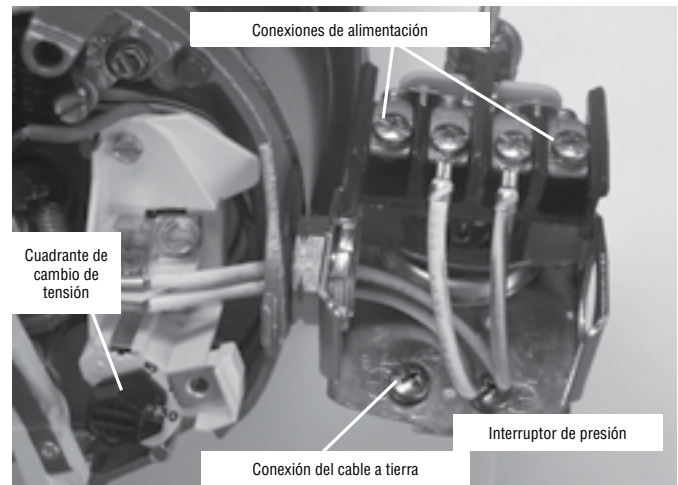


Figura 7: Tensión configurada para 230 V, tipo cuadrante.

1. S'assurer que le courant est coupé.
2. Tourner le cadran dans le sens des aiguilles d'une montre jusqu'à ce que le nombre 115 soit visible dans la fente du cadran (figure 8).



Figura 8: Tensión configurada para 115 V, tipo cuadrante.

3. Fixer les fils d'arrivée de courant aux deux vis extérieures du manostat (figure 7).
4. Relier le fil de terre aux bornes de raccord de mise à la terre (figure 7).
5. S'il y a d'autres fils, leurs bouts doivent être isolés.
6. Reposer les couvercles d'extrémité du moteur et du manostat.

⚠ AVERTISSEMENT Tension dangereuse. Risque de secousses électriques, de brûlures, voire la mort. Brancher le fil de terre avant de brancher les fils de tension. Utiliser des fils de calibre spécifié (y compris le fil de terre) dans le tableau de câblage. Dans la mesure du possible, brancher la pompe sur un circuit séparé, sur lequel aucun autre appareil ne sera branché.

⚠ AVERTISSEMENT Risque d'explosion. Ne pas mettre à la terre sur une conduite de gaz.

Connexions des fils

⚠ AVERTISSEMENT Risque d'incendie. L'utilisation d'une mauvaise tension risque de causer un incendie ou d'endommager gravement le moteur et d'annuler la garantie. La tension d'alimentation doit correspondre à $\pm 10\%$ de la tension figurant sur la plaque signalétique du moteur.

AVIS : Les moteurs bi-tension peuvent fonctionner sur le courant de 115 ou de 230 V. Au besoin, régler le moteur sur la tension désirée, comme il est indiqué. Ne pas modifier le câblage des moteurs fonctionnant sur une tension.

Installer la pompe, la mettre à la terre, la câbler et l'entretenir conformément au National Electrical Code (NEC) ou au Code canadien de l'électricité, selon le cas, et conformément à tous les codes et décrets en vigueur de la municipalité. Consulter l'inspecteur des bâtiments de la localité pour plus de renseignements sur les codes.

Méthodes de connexion :

- 1 ° Brancher tout d'abord le fil de mise à la terre, comme il est illustré à la Figure 5. Le fil de mise à la terre doit être un fil de cuivre massif d'un diamètre au moins aussi gros que le diamètre des fils de tension.
- 2 ° Il doit y avoir un raccordement en métal solide entre le manostat et le moteur pour une protection à la terre du moteur. Si le manostat n'est pas branché sur le moteur, brancher la vis verte de mise à la terre du manostat sur la vis verte de mise à la terre qui se trouve sous le couvercle du moteur. Utiliser un fil de cuivre massif ayant un diamètre au moins aussi gros que celui des fils de tension.
- 3 ° Brancher le fil de mise à la terre sur le fil de mise à la terre du tableau de distribution, sur un tuyau métallique d'eau enterré, sur le tubage d'un puits en métal ayant au moins 10 pieds (3 m) de long, ou sur une électrode de mise à la terre que fournira la compagnie d'électricité.
- 4 ° Brancher les fils de tension sur le manostat, comme il est illustré à la Figure 5.

Le câblage de la pompe est maintenant terminé.

Se reporter à la page 19 pour les préparations avant le démarrage.

Tableau de câblage - Câbles et diamètres des fusibles recommandés

Puissance du moteur en ch	Tension	Charge max. en ampères	Fusible Intensité en ampères	Distance en pieds (m) entre le moteur et le courant d'alimentation				
				0 - 100 (0-30)	101 - 200 (31-61)	201 - 300 (62-91)	301 - 400 (92-122)	401 - 500 (123-152)
				Diamètre du fil -calibre awg (mm ²)				
1	115/230	14,8/7,4	20/15	12/14 (3/2)	8/14 (8,4/2)	6/14 (14/2)	6/12 (4/3)	4/10 (21/5,5)
1-1/2	115/230	19,2/9,6	25/15	10/14 (5,5/2)	8/14 (8,4/2)	6/12 (14/3)	4/10 (21/5,5)	4/10 (21/5,5)

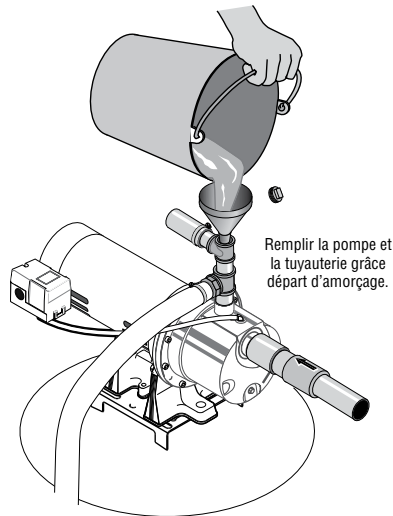


Figure 9 : Amorçage de la pompe

Amorçage

⚠ AVERTISSEMENT **Risque d'explosion.** Ne jamais faire fonctionner la pompe contre un refoulement fermé, sinon l'eau risque de bouillir à l'intérieur de la pompe, une accumulation dangereuse de pression risque de se produire, un danger d'explosion risque de s'ensuivre et les personnes qui manipuleront la pompe pourront peut-être être ébouillantées.

⚠ ATTENTION **Risque de brûlures.** Ne jamais faire fonctionner la pompe à sec. Faire fonctionner la pompe sans eau risque de causer une surchauffe de la pompe, d'endommager les joints et, possiblement, causer des brûlures aux personnes qui manipuleront la pompe. Faire le plein d'eau de la pompe avant de la démarrer.

- 1 ° Déposer le bouchon d'amorçage de la pompe et faire le plein de la pompe et de tous les tuyaux branchés entre la pompe et le puits et s'assurer que tous les tuyaux du puits sont pleins. Si un té d'amorçage a déjà été posé sur le tuyau d'aspiration, le déposer du té et faire le plein de la tuyauterie d'aspiration.
- 2 ° Reposer tous les bouchons de remplissage. Ouvrez un robinet d'évier.
- 3 ° Établir le courant! Démarrer la pompe. S'il n'y a pas de présence d'eau après 2 ou 3 minutes de fonctionnement, arrêter la pompe et déposer les bouchons de remplissage. Refaire le plein de la pompe et de la tuyauterie. Cette opération devra peut-être être répétée plusieurs fois de façon à chasser tout l'air emprisonné dans la tuyauterie. Il faudra jusqu'à 15 minutes pour qu'une pompe aspirant de l'eau à 25 pieds s'amorce.
- 4 ° Après que la pompe commence à construire la pression dans le système, fermer le robinet off. Laissez la pompe accumuler de la pression jusqu'à ce qu'elle s'arrête. Vérifier le fonctionnement du manostat en ouvrant un ou deux robinets du système; laisser couler suffisamment d'eau pour dissiper la pression jusqu'à ce que la pompe redémarre. La pompe doit redémarrer lorsque la pression chute à 30 lb/po² et s'arrêter lorsque la pression atteint 50 lb/po². Faire fonctionner la pompe pendant un ou deux cycles complets pour confirmer son bon fonctionnement. Ceci permettra également de nettoyer le système de toute la saleté et de tout le tartre qui se seront détachés pendant l'installation.

	<p style="text-align: center;">AVIS</p> <p>La pompe et les tuyaux peuvent être endommagés s'ils gèlent parce qu'ils n'auront pas été vidés.</p> <p>Observer les instructions concernant l'hivernisation.</p>
--	---

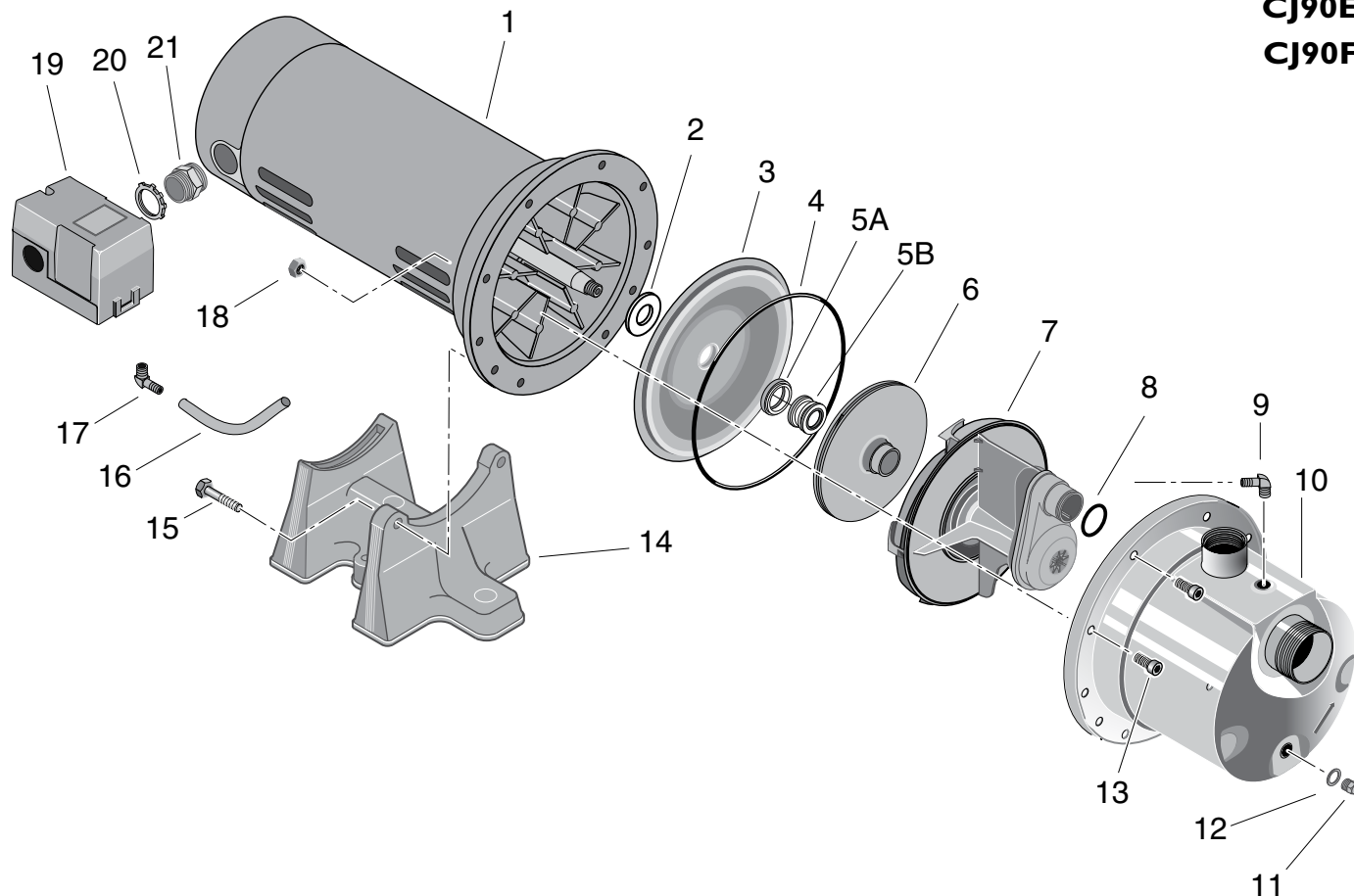
Hivernisation de la pompe

Pour préparer la pompe pour l'hiver :

- 1° Couper le courant qui l'alimente.
- 2° Dissiper la pression du système. Ouvrir un robinet et attendre que l'eau cesse de couler.
- 3° Vider la pompe en déposant son bouchon de vidange. Laisser toute l'eau se vider. La pompe peut être munie d'un bouchon ou d'un branchement sur son côté. Déposer l'un ou l'autre pour vider la pompe. Un peu d'eau peut rester dans la pompe. Laisser le bouchon jusqu'à ce que vous êtes prêt à re-prime.

Symptômes	Causes probables	Remèdes
Le moteur ne tourne pas	Le sectionneur est ouvert	S'assurer que le sectionneur est enclenché.
	Le fusible est sauté ou le disjoncteur est déclenché	Remplacer le fusible ou réenclencher le disjoncteur.
	L'interrupteur de démarrage est défectueux	COUPER L'ARRIVÉE DE COURANT; remplacer l'interrupteur de démarrage.
	Les fils côté moteur sont desserrés, débranchés ou mal branchés	Se reporter aux instructions sur le câblage. COUPER L'ARRIVÉE DE COURANT; vérifier tout le câblage et le resserrer. ⚠ AVERTISSEMENT Tension dangereuse. La tension du condensateur peut être dangereuse. Pour décharger le condensateur du moteur, tenir un tournevis à manche isolé PAR LE MANCHE et mettre en court-circuit les bornes du condensateur. Ne pas toucher la lame métallique du tournevis ni les bornes du condensateur. En cas de doute, consulter un électricien qualifié.
Le moteur chauffe et le dispositif de protection contre les surcharges se déclenche	Le moteur est mal câblé	Se reporter aux instructions concernant le câblage.
	La tension est trop faible	S'adresser à la compagnie d'électricité. Poser des câbles plus gros si le diamètre des fils est trop petit (voir Électricité/Tableau de câblage).
	La pompe fonctionne trop fréquemment.	Se reporter ci-dessous si la pompe démarre trop fréquemment.
Le moteur fonctionne mais la pompe ne débite pas d'eau *	Dans une installation nouvelle, la pompe ne s'est pas amorcée à cause : 1. D'un mauvais amorçage 2. De prises d'air 3. De fuites du clapet de non retour ou du clapet de pied.	Dans le cas d'une installation neuve : 1. Réamorcer la pompe conformément aux instructions. 2. Vérifier tous les raccords de la conduite d'aspiration et du régulateur de volume d'air. 3. Remplacer le clapet de pied ou le clapet de non retour.
	La pompe s'est désamorcée : 1. À cause de prises d'air 2. Parce que le niveau d'eau est plus bas que la prise d'eau du tuyau d'aspiration.	Dans le cas d'une installation déjà en utilisation : 1. Vérifier tous les raccords de la conduite d'aspiration et le joint de l'arbre. 2. Abaisser la conduite d'aspiration dans l'eau et réamorcer la pompe. Si, dans le puits, la surface libre jusqu'à l'eau dépasse 7,60 mètres (25 pieds), utiliser une pompe pour puits profond.
	Le clapet de pied ou la crépine sont bouchés	Nettoyer le clapet de pied ou la crépine.
	L'orifice ou l'impulseur sont bouchés	Nettoyer l'orifice ou l'impulseur.
	Le clapet de non retour ou le clapet de pied sont grippés en position fermée	Remplacer le clapet de non retour ou le clapet de pied.
	Les tuyauteries sont gelées.	Dégeler les tuyauteries. Enterrer les tuyauteries sous le point de gélivation. Chauffer la fosse ou le bâtiment où se trouve la pompe.
	Le clapet de pied et/ou la trémie sont enfouis dans le sable ou la boue	Relever le clapet de pied et/ou la crépine plus haut que le fond de la source d'eau. Nettoyer le clapet de pied et la crépine.
	Dans le cas d'un puits peu profond, le niveau de l'eau est trop bas pour que la pompe débite	Utiliser un éjecteur pour puits profonds si la surface libre jusqu'à l'eau dans ce puits est supérieure à 7,60 mètres (25 pieds).
La pompe ne débite pas à pleine capacité. (Vérifier aussi les 3 points immédiatement précités)	La tuyauterie en acier (le cas échéant) est corrodée ou bouchée par la chaux, ce qui cause un frottement excessif	Dans la mesure du possible, remplacer par des tuyaux en plastique, sinon poser des tuyaux en acier neufs.
	Le diamètre des tuyaux est trop petit	Utiliser des tuyaux de plus grand diamètre.
La pompe débite mais ne s'arrête pas ou bien elle fonctionne trop fréquemment	Le pressostat est déréglé ou bien ses contacts sont soudés ensemble	COUPER L'ARRIVÉE DE COURANT; régler le pressostat ou le remplacer.
	Les robinets du système sont restés ouverts	Les fermer.
	Le venturi, la buse ou l'impulseur sont bouchés	Nettoyer le venturi, la buse ou l'impulseur.
	Le réservoir sous pression standard est saturé d'eau et n'a plus de coussin d'air	Penser à l'idée d'utiliser une pompe à éjecteur pour puits profonds. Vider le réservoir jusqu'à l'orifice du régulateur de volume d'air. Vérifier le régulateur de volume d'air à la recherche de défauts. S'assurer que les raccords n'aspirent pas d'air.
	Les tuyaux fuient	Vérifier les raccords.
	Le clapet de pied fuit	Remplacer le clapet de pied.
	Le pressostat est déréglé	Régler ou remplacer le pressostat.
	La charge d'air dans le réservoir préchargé est trop basse	COUPER L'ARRIVÉE DE COURANT et ouvrir les robinets du système jusqu'à ce que toute la pression soit dissipée. À l'aide d'un manomètre pour pneus, vérifier la pression d'air dans le réservoir par la tige de la valve qui se trouve sur le réservoir. Si la pression est inférieure au réglage de fonctionnement du pressostat entre (206 et 344,7 kPa [30 et 50 lb/po ²]), pomper de l'air dans le réservoir à partir d'une source extérieure jusqu'à ce que la pression d'air soit de 2 lb/po ² inférieure au réglage de déclenchement du pressostat. S'assurer que la valve ne fuit pas (l'enduire d'une solution savonneuse); remplacer l'obus de la valve au besoin.
L'air jaillit des robinets du système	La pompe s'amorce	Lorsque la pompe sera amorcée, tout l'air sera chassé.
	Prise d'air côté aspiration de la pompe	Le tuyau d'aspiration aspire de l'air. Vérifier tous les raccords. S'assurer qu'ils sont bien serrés.
	Le puits est gazeux	S'adresser à l'usine pour la possibilité d'installer un manchon dans le puits.
	Surpompage intermittent du puits. (L'eau est pompée plus bas que le clapet de pied.)	Dans la mesure du possible, abaisser le clapet de pied. Sinon, limiter le refoulement de la pompe.

CJ90E
CJ90F



Ref.	Désignation	Qté.	CJ90E 1 HP	CJ90F 1-1/2 HP
1	Moteur	1	J218-1006	J218-1007
2	Défecteur	1	C69-7	
3	Plaque d'étanchéité	1	784S0070	
4	Joint torique	1	111P0490	
5A	Siège du joint de l'arbre	1	111P0510	
5B	Joint rotatif de l'arbre	1	111P0500	
6	Impulseur	1	101P1720	101P1730
7	Venturi	1	101P2900	
8	Joint torique	1	111P1100	
9	Raccord cannelé de tuyau de 90°	1	171P4750T	
10	Corps de la pompe	1	723S0850	
11	Bouchon en acier inoxydable	1	121P2100	
12	Rondelle	1	111P0990	
13	Vis à tête creuse	8	121P0310	
14	Socle	1	C4-42P	
15	Boulon	2	U30-74SS	
16	Tube de manostat	1	U37-672P	U37-673P
17	Raccord cannelé de tuyau de 90°, 1/4 de po NPT	1	U111-212T	
18	Écrou	8	U36-207SS	
19	Manocontacteur	1	U217-1202	U217-1204
20	Écrou de 1/2 pouce	1	U36-112ZP	
21	Raccord	1	L43-5C	

Instrucciones importantes de seguridad

Guarde estas instrucciones - Este manual contiene instrucciones importantes que se deben seguir durante la instalación y el mantenimiento del bombas de sumidero.

⚠ Este es un símbolo de alerta sobre la seguridad. Cuando vea este símbolo en su bomba o en este manual, busque para ver si hay alguna de las siguientes palabras de señal y esté alerta a la posibilidad de lesiones personales.

⚠ PELIGRO indica un riesgo que, de no evitarse, *provocará* la muerte o lesiones de gravedad.

⚠ ADVERTENCIA indica un riesgo que, de no evitarse, *podría provocar* la muerte o lesiones de gravedad.

⚠ PRECAUCIÓN indica un riesgo que, de no evitarse, *podría provocar* lesiones leves o moderadas.

AVISO hace referencia a una práctica no relacionada con una lesión física.

Lea y siga cuidadosamente todas las instrucciones de seguridad en este manual y en la bomba.

Mantenga las etiquetas de seguridad en buenas condiciones.

Reemplace las etiquetas de seguridad faltantes o dañadas.

Advertencia de la Proposición 65 de California

⚠ ADVERTENCIA Este producto y accesorios relacionados contienen sustancias químicas reconocidas en el Estado de California como causantes de cáncer, malformaciones congénitas y otros daños al sistema reproductivo.

Seguridad eléctrica

⚠ ADVERTENCIA Voltaje peligroso. El voltaje del capacitor puede ser peligroso. Para descargar el capacitor del motor, tome un desatornillador con mango aislado **POR EL MANGO** y ponga en corto las terminales del capacitor. No toque la superficie de metal del desatornillador ni las terminales del capacitor. Si tiene alguna duda, consulte a un electricista calificado.

Seguridad general

⚠ PRECAUCIÓN Riesgos de quemaduras. No toque un motor en operación. Los motores están diseñados para operar a temperaturas altas. Para evitar quemaduras al realizar el servicio a una bomba, déjela enfriar por 20 minutos después de apagarla.

No permita que la bomba o cualquier componente del sistema se congele. Hacerlo invalidará la garantía.

Utilice esta bomba sólo para agua.

Inspeccione la bomba y los componentes del sistema periódicamente.


Utilice gafas de seguridad durante todo el tiempo mientras trabaje en la bomba.

El área de trabajo se debe mantener limpia, ordenada y con iluminación adecuada; guarde las herramientas y el equipo que no utilice en el lugar apropiado.

Mantenga a los visitantes a una distancia segura de las áreas de trabajo.

⚠ ADVERTENCIA Peligro de explosión. El cuerpo de la bomba puede explotar.

⚠ ADVERTENCIA



Voltaje peligroso. Puede ocasionar conmoción, quemaduras e incluso la muerte.

Conecte la bomba a tierra antes de conectarla a la alimentación eléctrica. Desconecte la alimentación de energía antes de trabajar en la bomba, el motor o el tanque.

- ⚠ Conecte el motor al voltaje correcto. Vea la sección "Electricidad" en este manual y la placa del motor.**
- ⚠ Conecte el motor a tierra antes de conectarlo a la alimentación de energía.**
- ⚠ Cumpla con las indicaciones del Código Nacional Eléctrico, el de Canadá y los códigos locales para toda la conexión eléctrica.**
- ⚠ Siga las instrucciones de conexión eléctrica en este manual al conectar el motor a las líneas de energía eléctrica.**



⚠ ADVERTENCIA

Presión peligrosa!

Instale una válvula de alivio de presión en la tubería de descarga.

Libere toda la presión en el sistema antes de trabajar en alguno de los componentes.

Garantía limitada

STA-RITE le garantiza al comprador/consumidor original (“Comprador” o “Usted”) de los productos enumerados abajo, que estos estarán libres de defectos en material y mano de obra durante el Período de garantía indicado a continuación.

Producto	Período de garantía
Productos de sistemas de agua — bombas de chorro, pequeñas bombas centrífugas, bombas sumergibles inicial, o y accesorios asociados	<i>lo que ocurra primero:</i> 12 meses desde la fecha de la instalación, o 18 meses desde la fecha de fabricación
Tanques de compuesto Pro-Source™	5 años desde la fecha de la instalación inicial
Tanques a presión de acero Pro-Source™	5 años desde la fecha de la instalación inicial
Tanques con revestimiento epoxídico Pro-Source™	3 años desde la fecha de la instalación inicial
Productos para sumideros/aguas residuales/efluente	12 meses desde la fecha de la instalación inicial, o 18 meses desde la fecha de fabricación

Nuestra garantía no se aplicará a ningún producto que, a nuestro sólo juicio, haya sido sometido a negligencia, mal uso, instalación inadecuada o mal mantenimiento. Sin perjuicio a lo que antecede, la garantía quedará anulada en el caso en que un motor trifásico se haya usado con una fuente de alimentación monofásica, a través de un convertidor de fase. Es importante indicar que los motores trifásicos deben estar protegidos por relés de sobrecarga de disparo extra-rápido, con compensación ambiental de tres etapas, del tamaño recomendado, de lo contrario, la garantía quedará anulada.

Su único recurso, y la única obligación de STA-RITE es que STA-RITE repare o reemplace los productos defectuosos (a juicio de STA-RITE). Usted deberá pagar todos los cargos de mano de obra y de envío asociados con esta garantía y deberá solicitar el servicio bajo garantía a través del concesionario instalador tan pronto como se descubra un problema. No se aceptará ninguna solicitud de servicio bajo garantía que se reciba después del vencimiento del Período de Garantía. Esta garantía no se puede transferir.

STA-RITE NO SE HARÁ RESPONSABLE DE NINGÚN DA—O CONSECUENTE, INCIDENTAL O CONTINGENTE.

LAS GARANTÍAS LIMITADAS QUE ANTECEDEN SON EXCLUSIVAS Y EN LUGAR DE TODA OTRA GARANTÍA EXPLÍCITA E IMPLÍCITA, INCLUYENDO, PERO SIN LIMITARSE A LAS GARANTÍAS IMPLÍCITAS DE COMERCIABILIDAD E IDONEIDAD PARA UN FIN ESPECÍFICO. LAS GARANTÍAS LIMITADAS QUE ANTECEDEN NO SE EXTENDERÁN MÁS ALLÁ DEL PERÍODO DE DURACIÓN INDICADO EN LA PRESENTE.

Algunos estados no permiten la exclusión o limitación de daños incidentales o consecuentes o de limitaciones de tiempo sobre garantías implícitas, de modo que es posible que las limitaciones o exclusiones que preceden no correspondan en su caso. Esta garantía le otorga derechos legales específicos y es posible que usted también tenga otros derechos que pueden variar de un estado al otro.

Esta Garantía Limitada entra en vigor el 1 de junio de 2011 y sustituye toda garantía sin fecha o garantía con fecha anterior al 1 de junio de 2011.

STA-RITE INDUSTRIES

293 Wright Street • Delavan, WI U.S.A. 53115

Teléfono: 1-888-782-7483 • Fax: 1-800-426-9446 •Sitio Web: sta-rite.com

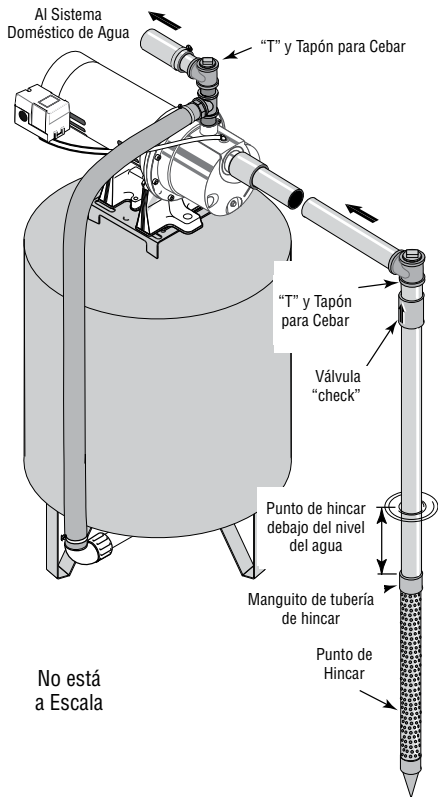


Figura 1 - Instalación del punto de hincar

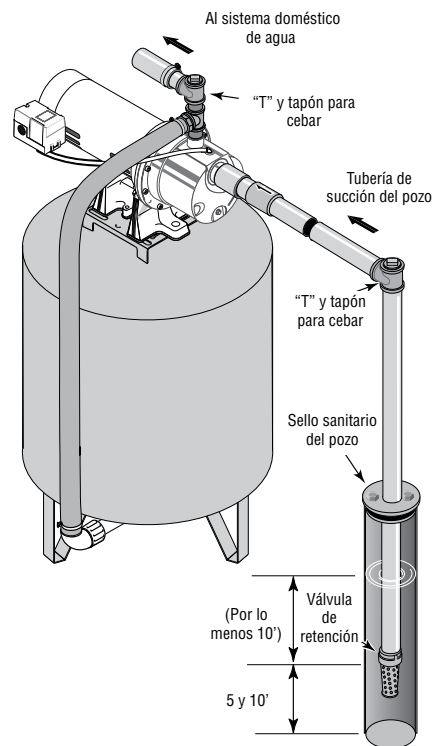


Figure 2 : Instalación para pozo recubierto

Reemplazo de una bomba vieja

ADVERTENCIA Voltaje peligroso. Desconecte la alimentación de energía de la bomba antes de trabajar en ella o en el motor.

1. Drene y quite la bomba vieja. Revise la tubería vieja por si estuviera oxidada, tuviera cal o moho, etc., y reemplácela si es necesario.
2. Instale la bomba en el sistema. Asegúrese de que todas las uniones de los tubos en la tubería de succión están unidas herméticamente y son impermeables al agua. Si la tubería de succión puede succionar aire, la bomba no podrá jalar agua del pozo.
3. Ajuste la altura de montaje de la bomba de modo que las conexiones de plomería no ocasionen un esfuerzo de deformación sobre el cuerpo de la bomba. Dele el soporte adecuado a los tubos de modo que el cuerpo de la bomba no reciba todo el peso de la tubería o los herrajes.

Usted acaba de terminar las conexiones de plomería del pozo de su nueva bomba tipo "jet" para pozo poco profundo. Consulte la Página 26 para realizar las conexiones del tanque y de la tubería de descarga.

Instalacion del punto del pozo (punto de hincar) (Figura 1)

1. Hince el pozo utilizando "manguitos de tubería de hincar" y una "caperuza para la hincra". Las "conexiones de perforar" están roscadas a todo lo largo y permiten que los extremos de la tubería empalmen para que la fuerza de perforación del mazo sea soportada por la tubería y no por el enroscado. Las conexiones ordinarias que se encuentran en las tlalalerías no están roscadas a todo lo largo y se pueden colapsar por el impacto. Las "conexiones de hincado" también son más suaves que las conexiones de plomería comunes, y esto facilita la penetración en el suelo.
2. Monte la bomba tan cerca del pozo como sea posible.
3. Utilice el menor número de conexiones posible (especialmente codos) al conectar la tubería desde el punto del pozo al orificio de succión de la bomba. La tubería de succión debe ser por lo menos del mismo tamaño que el orificio de succión en la bomba (incluya una válvula "check" si su equipo no está equipado con una) - Vea la Figura 1. Soporte la tubería para que no haya inclinaciones verticales o hundimientos en ella a fin de que no se ejerza tensión sobre el cuerpo de la bomba y con el propósito de que no se incline ligeramente hacia arriba desde el pozo hacia la bomba (los puntos altos pueden ocasionar que se formen bolsas de aire que pueden bloquear la bomba). Selle las juntas de la tubería de succión con cinta sellante de PTFE para roscas de tubería o con un compuesto a base de PTFE especial para las juntas de las tuberías. Las juntas deben de ser a prueba de agua y estar herméticamente cerradas. Si la tubería de succión pudiera succionar aire, la bomba no podría sacar agua del pozo. Si un punto de pozo no proporciona suficiente agua, considere la posibilidad de conectar dos o tres puntos de pozo a una tubería de succión.

Usted acaba de realizar la conexión de tubería de succión para su nueva bomba tipo "jet" para pozo poco profundo. Por favor pase a la Página 26 para realizar las conexiones del tanque y de la tubería de descarga.

Instalacion de pozo recubierto con un recubrimiento de 2" o mas (Figura 2)

1. Monte la bomba tan cerca del pozo como sea posible.
2. Instale la válvula de retención, el filtro y la tubería del pozo (vea la Figura 2). Asegúrese de que la válvula de retención funcione libremente.
3. Baje la tubería hacia el pozo hasta que el filtro se encuentre a cinco pies sobre el fondo del pozo. También debe estar a por lo menos 10 pies debajo del nivel del agua del pozo cuando la bomba esté funcionando a fin de evitar que la bomba succione aire. Instale un sello sanitario para pozo.

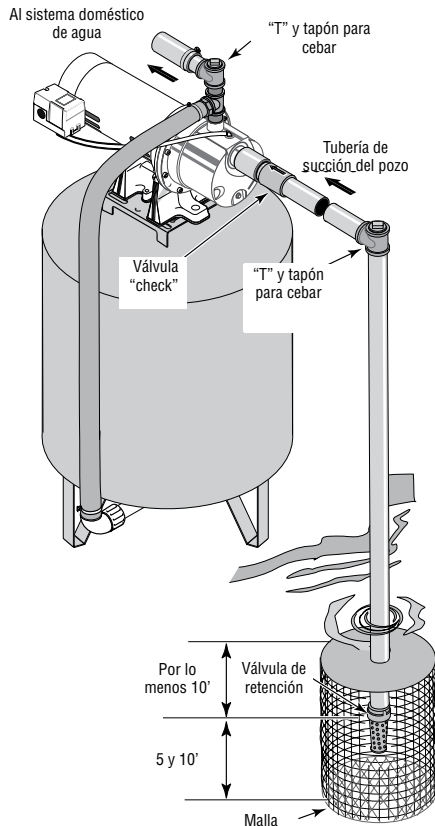


Figura 3: Instalación para agua superficial

4. Instale una “T” para cebar, tapón para cebar y la tubería de succión a la bomba (vea la Figura 2). Conecte la tubería del pozo al orificio de succión de la bomba; utilice el menor número de conexiones posible – especialmente codos – ya que las conexiones incrementan la fricción de la tubería, pero incluya una válvula de aspiración – vea la Figura 2. La tubería de succión debe ser por lo menos del mismo tamaño que el orificio de succión de la bomba. Soporte la tubería para que no haya inclinaciones verticales o hundimientos en ella a fin de que no ejerza tensión sobre el cuerpo de la bomba y con el propósito de que no se incline ligeramente hacia arriba desde el pozo hacia la bomba (los puntos altos pueden ocasionar que se formen bolsas de aire que pueden bloquear la bomba). Selle las juntas de la tubería de succión con cinta sellante de PTFE para roscas de tubería o con un compuesto a base de PTFE especial para las juntas de las tuberías. Las juntas deben ser a prueba de agua o estar herméticamente cerradas. Si la tubería de succión pudiera succionar aire, la bomba no podrá sacar agua del pozo.

Usted acaba de realizar la conexión de tubería de succión para su nueva bomba tipo “jet” para pozo poco profundo. Por favor pase a la Página 26 para realizar las conexiones del tanque y de la tubería de descarga.

Instalación para agua superficial (Figura 3)

⚠ PRECAUCIÓN **Riesgo de contaminación.** No use la capa de agua superficial para beber. La instalación ilustrada se podría usar para rociar/regar/pulverizar.

1. La bomba se debe instalar lo más cerca del agua que sea posible, con el menor número posible de conexiones (especialmente codos) en la tubería de succión. La tubería de succión debe ser por lo menos del mismo tamaño que el orificio de succión de la bomba.
2. Instale una válvula de retención y la tubería de succión (vea la Figura 3). Asegúrese de que la válvula de retención funcione libremente. Utilice cinta sellante de PTFE para roscas de tubería o un compuesto a base de PTFE especial para juntas de tuberías de las juntas roscadas de la tubería. Proteja la conexión de la válvula de retención de peces, basura, etc., con la instalación de una malla de alambre a su alrededor (vea la Figura 3).
3. Baje la tubería hacia el agua hasta que el filtro se encuentre a cinco pies sobre el fondo. También debe estar a por lo menos 10 pies debajo del nivel del agua a fin de evitar que la bomba succione aire.
4. Instale una “T” para cebar, tapón para cebar y la tubería de succión a la bomba (vea la Figura 3). Soporte la tubería para que no haya inclinaciones verticales o hundimientos en ella a fin de que no ejerza tensión sobre el cuerpo de la bomba y con el propósito de que no se incline ligeramente hacia arriba desde el pozo hacia la bomba (los puntos altos pueden ocasionar que se formen bolsas de aire que pueden bloquear la bomba). Selle las juntas de la tubería de succión con cinta sellante de PTFE para roscas de tubería o con un compuesto a base de PTFE especial para las juntas de las tuberías. Las juntas deben ser a prueba de agua o estar herméticamente cerradas. Si la tubería de succión pudiera succionar aire, la bomba no podrá sacar agua del pozo.

Usted acaba de realizar la conexión de tubería de succión para su nueva bomba tipo “jet” para pozo poco profundo. por favor pase a la Página 26 para realizar las conexiones del tanque y de la tubería de descarga.

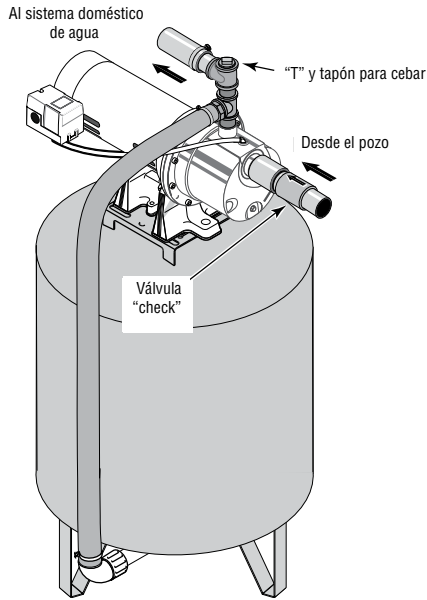


Figura 4: Conexiones del tanque pre-cargado

Conexión para tanque pre-cargado (Figura 4)

1. Instale dos "T"s en el puerto de descarga de la bomba (Vea la figura 4). El tamaño de la bomba debe de ser por lo menos tan grande como el puerto de descarga.
2. Instale un tubo o una manguera reforzada desde un brazo de la primera "T" al puerto en el tanque pre-cargado.
3. Conecte el otro extremo de la "T" de descarga a su instalación de tuberías. Tape el Te con un tapón fileteado o con un manómetro.
4. Verifique la pre-carga de aire en el tanque con un medidor ordinario de aire para neumáticos. La pre-carga debe ser de 2 PSI menos que el ajuste de cierre del interruptor de presión de la bomba. Ajuste la carga previa del tanque de presión de 28 PSI para una bomba CJ90E modelo (30/50 interruptor de presión), o de 38 PSI para una bomba CJ90F modelo (40/60 interruptor de presión).

¡Felicidades! Usted acaba de realizar la conexión del tanque para su bomba tipo "jet". Por favor pase a la página 27 y 28 donde se encuentra la sección sobre la conexión eléctrica.

Sellado de Juntas de Tubería

Utilice solamente sellante de PTFE para roscas de tubería a base de PTFE para todas las conexiones de rosca a la bomba. **No use compuestos de burlete para tuberías en bombas de plástico:** estos pueden reaccionar con los componentes de plástico de la bomba. Asegúrese de que todos los burletes en la tuberías de aspiración sean impermeables y herméticos. *Si la tubería de aspiración aspira aire, la bomba no podrá sacar agua del pozo.*

⚠ Desconecte la corriente antes de trabajar en la bomba, el motor, el conmutador a presión, o los cables.

Configuraciones del interruptor del motor

AVISO: Los motores de 1 y 1-1/2 HP también son de doble tensión, pero vienen configurados de fábrica a 230 V. Los tableros de bornes del motor (ubicados por debajo de la cubierta del motor) deberán ser similares a los que se ilustran a continuación. Utilice las instrucciones para configurar su motor conforme a su suministro de energía.

⚠ ADVERTENCIA Nunca conecte un motor configurado a 115 V a una fuente de energía de 230 V.

Selector de tensión de tipo ficha

La configuración de fábrica es para 230 V. Para cambiar a 115 V:

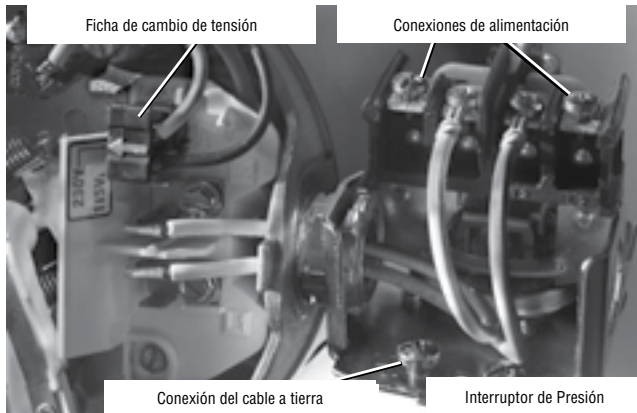


Figura 5: Tensión configurada para 230 V, tipo ficha.

1. Verifique que la corriente eléctrica esté desconectada.
2. Jale de la ficha de cambio de tensión y sáquela de las lengüetas.
3. Mueva la ficha de cambio de tensión a la posición de 115 V. Ahora la ficha cubrirá 2 lengüetas metálicas y la flecha en la ficha quedará alineada con la flecha de 115 V en la etiqueta (consulte la Figura 6).



Figura 6: Tensión configurada para 115 V, tipo ficha.

4. Conecte los conductores de alimentación a los dos tornillos exteriores en el manóstato según se ilustra en el Figura 5.
5. Conecte el cable a tierra a una de las conexiones a tierra según se ilustra en la Figura 5.
6. Si hay otros cables, tápelos.
7. Vuelva a instalar las cubiertas del extremo del motor y del manóstato.

Selector de tensión de tipo cuadrante

La configuración de fábrica es para 230 V. Para cambiar a 115 V:

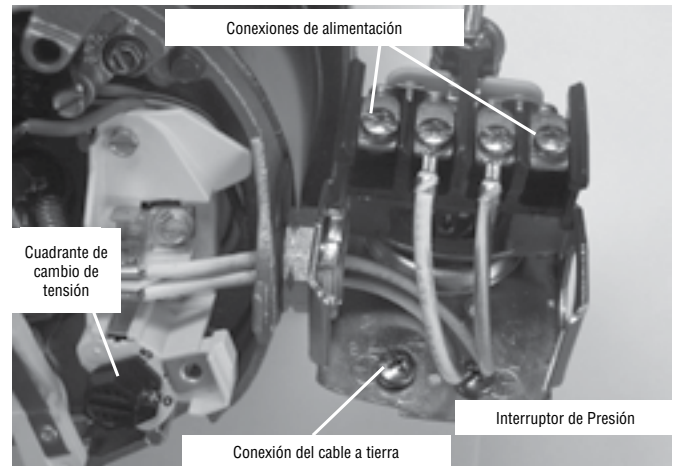


Figura 7: Tensión configurada para 230 V, tipo cuadrante.

1. Verifique que la corriente eléctrica esté desconectada.
2. Gire el cuadrante hacia la izquierda hasta que aparezca 115 en la ventana del cuadrante según se ilustra en la fig. 8.



Figura 8: Tensión configurada para 115 V, tipo cuadrante.

3. Conecte los conductores de alimentación a los dos tornillos exteriores en el manóstato según se ilustra en el Figura 7.
4. Conecte el cable a tierra a una de las conexiones a tierra según se ilustra en la Figura 7.
5. Si hay otros cables, tápelos.
6. Vuelva a instalar las cubiertas del extremo del motor y del manóstato.

⚠ ADVERTENCIA Tensión peligrosa. Puede causar choques, quemaduras o muerte. Conecte el alambre de puesta a tierra antes de conectar los alambres de suministro de corriente. Use el cable del tamaño especificado en la tabla de cableado (incluyendo el alambre de puesta a tierra). Si es posible, conecte la bomba a un circuito separado de derivación sin ningún otro artefacto en el mismo.

⚠ ADVERTENCIA Peligro de explosión. No haga la conexión a tierra en una línea de suministro de gas.

Conexiones de los cables

⚠ ADVERTENCIA Peligro de incendio. Una tensión incorrecta puede causar un incendio o dañar el motor seriamente e invalidará la garantía. La tensión de suministro debe ser entre ± 10 % de la tensión especificada en la placa de datos del motor.

AVISO: Los motores de doble tensión se pueden configurar para 115V o 230 V. De ser necesario, vuelva a configurar el motor a la tensión deseada, según se ilustra. No modifique el cableado en los motores de tensión singular.

Instale, ponga a tierra, conecte los alambres y mantenga su bomba conforme al Código Nacional de Electricidad (NEC) o al Código Canadiense de Electricidad (CEC), según corresponda, y conforme a todos los códigos y normas locales que correspondan. Consulte con su inspector local de construcciones para obtener información sobre los códigos.

Procedimiento para las conexiones:

1. Conecte el alambre de puesta a tierra primero según se ilustra en la Figura 5. El alambre de puesta a tierra debe ser un alambre de cobre sólido por lo menos tan grande como los alambres de suministro de corriente.
2. Debe haber una conexión metálica sólida entre el conmutador a presión y el motor para brindar protección a tierra para el motor. Si el conmutador a presión no está conectado al motor, conecte el tornillo de puesta a tierra verde en el conmutador al tornillo de puesta a tierra verde debajo de la tapa de extremo del motor. Use un alambre de cobre sólido que sea por lo menos tan grande como los alambres de suministro de corriente.
3. Conecte el alambre de puesta a tierra a un alambre conectado a tierra del tablero de servicio, a un tubo metálico para agua subterránea, a un entubamiento metálico para pozos de por lo menos 3 metros (10 pies) de largo, o a un electrodo a tierra suministrado por la empresa de energía o hidroeléctrica.
4. Conecte los alambres de suministro de corriente al conmutador de presión según se ilustra en la Figura 5.

Usted acaba de realizar las conexiones eléctricas para su bomba.

Por favor pase a la página 29 a las preparaciones para arrancar la bomba.

Tabla de conexiones - Cables recomendados y Tamaños de fusibles

HP del Motor	Voltios	Amp de Carga Máxima	Amp de Rango de Fusible de Derivación	Distancia en pies (m) desde el motor al suministro de energía				
				0 - 100 (0-30)	101 - 200 (31-61)	201 - 300 (62-91)	301 - 400 (92-122)	401 - 500 (123-152)
				Calibre del cable awg (mm cuadrados)				
1	115/230	14.8/7.4	20/15	12/14 (3/2)	8/14 (8.4/2)	6/14 (14/2)	6/12 (4/3)	4/10 (21/5.5)
1-1/2	115/230	19.2/9.6	25/15	10/14 (5.5/2)	8/14 (8.4/2)	6/12 (14/3)	4/10 (21/5.5)	4/10 (21/5.5)

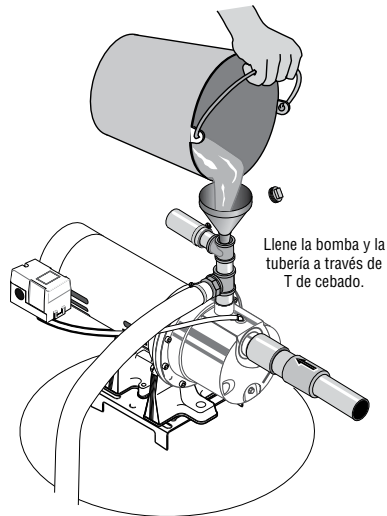


Figura 9: Llenado de la bomba

Cebado

⚠ ADVERTENCIA | Peligro de explosión. Nunca ponga a funcionar una bomba hacia una descarga cerrada. Hacerlo puede ocasionar que el agua en el interior de la bomba ebullicione, produciendo una presión peligrosa en la unidad, riesgo de explosión y posibles quemaduras con el agua a la persona que esté manejando la bomba.

⚠ PRECAUCIÓN | Riesgos de quemaduras. Nunca ponga a funcionar la bomba en seco. Poner a funcionar la bomba sin agua puede ocasionarle sobre calentamiento, dañar el sello y tal vez causar quemaduras a las personas que la estén manejando. Llene la bomba con agua antes de arrancarla.

1. Quitar el tapón de cebado de la bomba y llenar la bomba, llenar toda la tubería que va de la bomba al pozo y asegúrese que toda la tubería del pozo esté llena. En caso de haber instalado una "T" de cebado en la tubería de succión, quitar el tapón de la "T" y llenar la tubería de succión.
2. Vuelva a colocar todos los tapones de llenado. Abrir un grifo del lavabo.
3. ¡Enciéndala! Arranque la bomba. Si no tiene agua después de 2 a 3 minutos, detenga la bomba y retire los tapones. Vuelva a llenar la bomba y la tubería. Es probable que tenga que repetir este paso varias veces con el fin de sacar todo el aire atrapado dentro de la tubería. Es probable que necesite hasta 15 minutos para cebar la bomba con una elevación de agua de 25'.
4. Después de la bomba comienza a construir la presión en el sistema, cierre la llave del agua. Vamos a construir la bomba de presión hasta que se apague. Verifique la operación del interruptor de presión abriendo una llave o dos y dejando correr suficiente agua para descargar la presión hasta que la bomba arranque. La bomba debe arrancar cuando la presión caiga a 30 PSI y se debe detener cuando la presión alcance los 50 PSI. Haga funcionar la bomba durando uno o dos ciclos completos para verificar su correcta operación. Esto también le ayudará a limpiar el sistema de polvo y basura producida durante la instalación.

	<p style="text-align: center;">AVISO</p> <p>La bomba y la tubería se dañarán si se congelan y no se han drenado.</p> <p>Siga las instrucciones de preparación para el invierno.</p>
--	--

Preparación de la bomba para el invierno

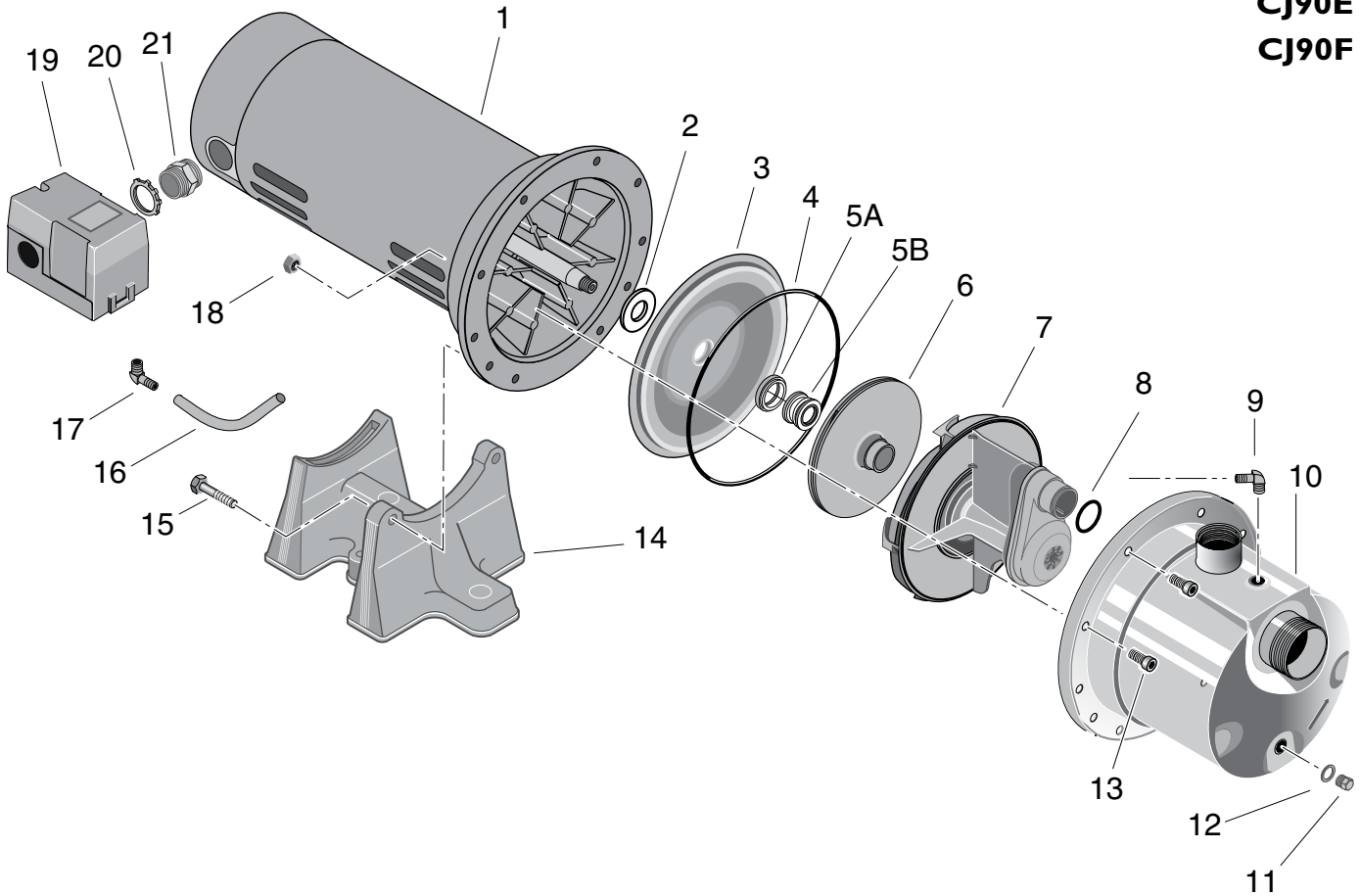
Para preparar la bomba en caso de temperaturas heladas:

1. Corte la alimentación a la bomba.
2. Descargue la presión del sistema. Abra el grifo y drene hasta que el agua deje de correr.
3. Drene la bomba. Es posible que su bomba tenga un tapón de drenaje separado. Saque este tapón y drene.

Es posible que su bomba tenga sólo un tapón o una conexión del lado de la bomba. Saque y drene la bomba. Un poco de agua permanecerá en la bomba. Deje el tapón hasta que esté listo para volver a primera.

Síntoma	Causa(s) probable(s)	Acción correctiva
El motor no funciona	El interruptor de desconexión está apagado	Verifique que el interruptor esté encendido.
	El fusible está quemado o el disyuntor se abrió	Reemplace el fusible o reposicione el disyuntor.
	El interruptor de encendido está defectuoso	DESCONECTE LA CORRIENTE ELÉCTRICA; reemplace el interruptor de encendido.
	Los cables en el motor están sueltos, desconectados o conectados incorrectamente	Consulte las instrucciones sobre el cableado; DESCONECTE LA CORRIENTE ELÉCTRICA; inspeccione y ajuste todo el cableado. ⚠ ADVERTENCIA Voltaje peligroso. La tensión del capacitor puede ser peligrosa. Para descargar el capacitor, tome un destornillador con mango aislado POR EL MANGO y haga un corto circuito con los bornes del capacitor. No toque la hoja metálica del destornillador ni los bornes del capacitor. Si tiene alguna duda, consulte con un electricista competente.
El motor se calienta y dispara la sobrecarga	El motor está cableado incorrectamente	Consulte las instrucciones sobre el cableado.
	La tensión es muy baja	Verifique con la compañía de energía eléctrica. Instale un cableado de mayor calibre si éste es muy pequeño (Ver el Gráfico de Cableado/Electricidad).
	Los ciclos de la bomba son muy frecuentes	Consulte la sección a continuación sobre ciclos demasiado frecuentes.
El motor funciona pero no sale agua* * Detenga la bomba: después verifique el cebado antes de buscar otras causas. Destornille el tapón de cebar y vea si hay agua en el orificio de cebado)	La bomba en una instalación nueva no recogió el cebado debido a: 1. Cebado inadecuado 2. Fugas de aire 3. Fugas en la válvula de pie o en la válvula de retención	En una instalación nueva: 1. Vuelva a cebarla según las instrucciones. 2. Revise todas las conexiones en la línea de aspiración en el AVC con crema de afeitar. 3. Reemplace la válvula de pie o la válvula de retención.
	La bomba ha perdido cebadura debido a: 1. Fugas de aire 2. Nivel de agua por debajo de la entrada de la tubería de aspiración	En una instalación que ya esté en uso: 1. Inspeccione todas las conexiones en la línea de aspiración y en el sello del eje. 2. Baje la línea de aspiración hacia el agua y vuelva a cebar. Si la disminución del nivel de agua supera los 25 pies (7.6 m), será necesario instalar una bomba para pozo profundo.
	La válvula de pie o el colector están tapados	Limpie la válvula de pie o el colector.
	El orificio o el impulsor están tapados	Limpie el orificio o el impulsor.
	La válvula de retención o la válvula de pie está cerrada y atascada	Reemplace la válvula de retención o la válvula de pie.
	Las tuberías están congeladas	Descongele las tuberías. Entierre las tuberías debajo de la línea de congelación. Caliente el recinto de bombas o el foso.
	La válvula de pie y/o el colector están enterrados en arena o en lodo	Eleve la válvula de pie y/o el colector por encima del fondo de la fuente de agua. Limpie la válvula de pie y el colector.
La bomba no produce agua a toda su capacidad (También verifique el punto 3 de arriba)	La tubería de acero (si se utilizó) está corroída u oxidada, ocasionando una fricción excesiva	Reemplace con tubería de plástico donde sea posible, o de lo contrario con tubería nueva de acero.
	El tamaño de la tubería es muy pequeño	Utilice una tubería acodada más grande.
La bomba entrega agua pero no se apaga o los ciclos de bombeo son demasiado frecuentes	El manóstató está desajustado o los contactos están soldados juntos	DESCONECTE LA CORRIENTE ELÉCTRICA; ajuste o reemplace el manóstató.
	Se dejaron las llaves abiertas	Cierre las llaves.
	El venturi, la tobera o el impulsor están tapados	Limpie el venturi, la tobera o el impulsor.
	El tanque de presión estándar está inundado y no tiene amortiguador de aire	Drene el tanque a la abertura de regulador de volumen de aire. Verifique que el AVC no presente defectos. Verifique que no haya fugas de aire en ninguna conexión.
	Las tuberías presentan fugas	Inspeccione las conexiones.
	Las válvulas de pie presentan fugas	Reemplace la válvula de pie.
	El manóstató está desajustado	Ajuste o reemplace el manóstató.
	La carga de aire es demasiado baja en el tanque precargado	DESCONECTE LA CORRIENTE ELÉCTRICA y abra las llaves hasta que se haya liberado la presión. Mida la presión del aire en el tanque con un manómetro para neumáticos en el vástago de la válvula que se encuentra en el tanque. Si la presión es menor que la del disparo del manóstató (30-50 PSI), bombee aire hacia el tanque desde una fuente externa hasta que la presión del aire sea 2 PSI menos que la presión de disparo del interruptor. Verifique que no haya fugas en la válvula de aire (utilice una solución jabonosa) y reemplace el núcleo si fuese necesario.
Sale aire de los grifos	La bomba está cebando	Cuando la válvula está cebando, debería bombear sólo agua, sin aire.
	Fuga del lado de la aspiración de la bomba	La tubería de aspiración está aspirando aire. Verifique que no haya fugas en las juntas usando crema de afeitar.
	El pozo es gaseoso	Consulte a la fábrica sobre la instalación de una camisa en el pozo.
	Sobre-bombeo intermitente del pozo, (aspiración adicional de agua por debajo de la válvula de pie)	Baje la válvula de pie si es posible, de lo contrario, restrinja la descarga de la bomba.

CJ90E
CJ90F



Ref.	Descripción	Cant.	CJ90E 1 HP	CJ90F 1-1/2 HP
1	Motor	1	J218-1006	J218-1007
2	Deflector	1	C69-7	
3	Placa selladora	1	784S0070	
4	Anillo-O	1	111P0490	
5A	Asiento del obturador del eje	1	111P0510	
5B	Obturador rotatorio de eje	1	111P0500	
6	Impulsor	1	101P1720	101P1730
7	Venturi	1	101P2900	
8	Anillo-O	1	111P1100	
9	Boquilla de manguera de 90°	1	171P4750T	
10	Cuerpo de la bomba	1	723S0850	
11	Tapón, acero inoxidable	1	121P2100	
12	Roldana	1	111P0990	
13	Tornillo de cabeza hueca	8	121P0310	
14	Base	1	C4-42P	
15	Perno	2	U30-74SS	
16	Tubo de conmutador a presión	1	U37-672P	U37-673P
17	Boquilla de manguera de 90° de 1/4" NPT	1	U111-212T	
18	Tuerca	8	U36-207SS	
19	Interruptor de Presión	1	U217-1202	U217-1204
20	Contratuerca de 1/2"	1	U36-112ZP	
21	Conector	1	L43-5C	

