

# STA-RITE® PRO-Storm™ DSS Series

Multi-stage sprinkler pumps



The Pro-Storm™ multi-stage series of sprinkler pumps delivers high-performance without priming problems and delays.

The Pro-Storm multi-stage series is designed for minimal electrical consumption and quiet operation from the professional-grade motor. The new Pro-Storm multi-stage series offers first-in-class priming capabilities of up to 15 foot lifts!

## APPLICATIONS

Residential and commercial turf irrigation

Residential water systems

Shower and washing systems

Water transfer

Heating and air conditioning systems

Water features and fountains

## SPECIFICATIONS

### Motor Bracket and Integral Pump Base:

Close-grained cast iron, 1-1/2" NPT inlet connection, stable heavy-duty design for rigid pipe and solid base mountings

**Discharge:** Close-grained cast iron, 1-1/4" NPT discharge connection, with easy-access drain port for end of season draining and winterization

**Impellers and Diffusers:** Noryl® precision-molded extra-smooth ports to maximize efficiency and performance

**Outer Shell:** Polished 304 stainless steel

**Shaft:** 303 stainless steel

**Priming Valve:** Special brass priming valve for trouble-free operation during the initial pump priming

**Mechanical Seal:** High-pressure seal, carbon-ceramic seal faces, Buna-N elastomers

**Heavy-Duty Motor:** 2 HP, single-phase, 3450 RPM, 230-volt, high-service factor, capacitor-start/capacitor-run, open drip-proof motor, rated for continuous-duty operation. 230/460 TEFC available

**Maximum Inlet Pressure:** 20 PSI

**Maximum Discharge Pressure:** 130 PSI

**Maximum Operating Temperature:** 120°F (49°C)

**Maximum Suction Lift:** 15 feet

**Number of Stages:** 3 or 4

## ORDERING INFORMATION

Catalog Number	Stages	HP	Pipe Tapping Sizes		Motor Voltage	Approx. Wt. Lbs.
			Suction	Discharge		
DSS4HG	4	2	1-1/2" NPT	1-1/4" NPT	230 1ø	95
DSS4HG3T	4	2	1-1/2" NPT	1-1/4" NPT	230/460 TEFC	95
DSS3HG	3	2	1-1/2" NPT	1-1/4" NPT	230 1ø	95
DSS3HG3T	3	2	1-1/2" NPT	1-1/4" NPT	230/460 TEFC	95

Noryl® is a registered trademark of General Electric Co.

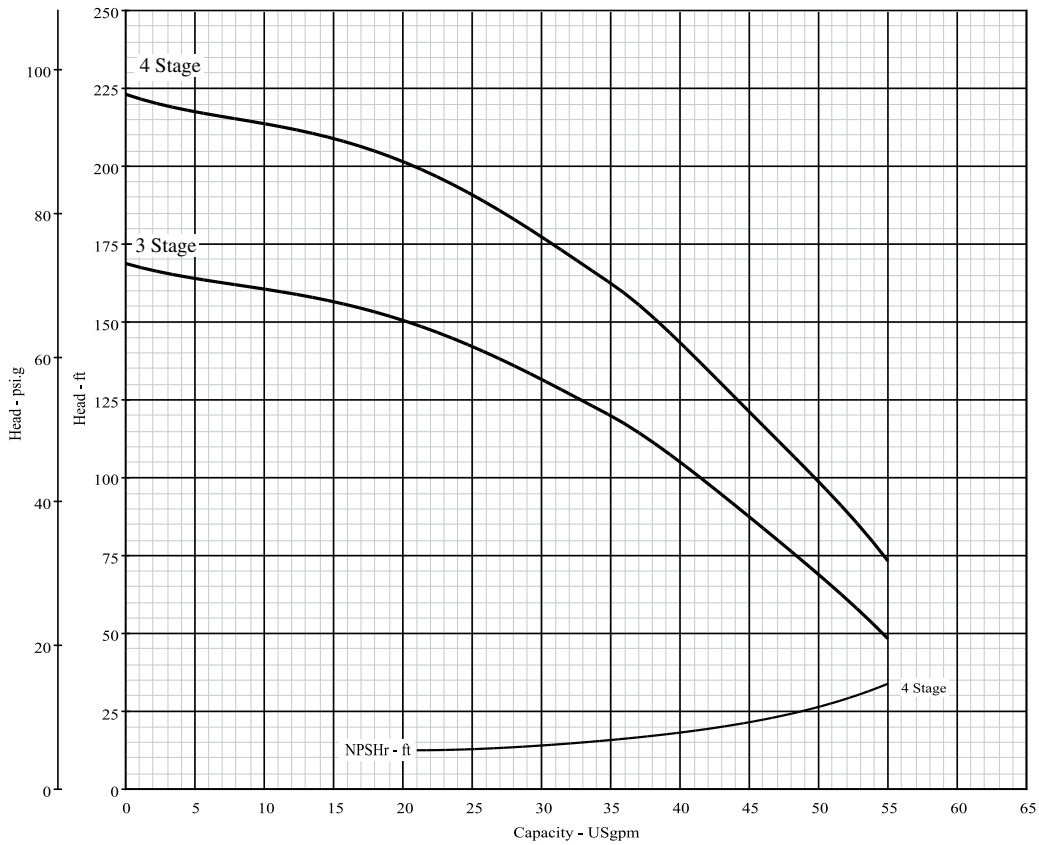
All other brand or product names are trademarks or registered trademarks of Pentair Ltd.

# STA-RITE® PRO-Storm™ DSS Series

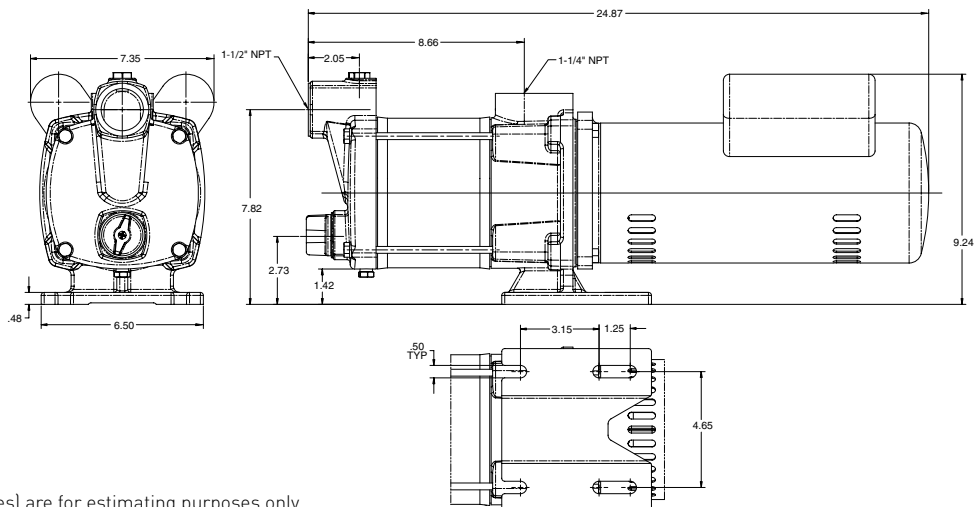
Multi-stage sprinkler pumps

## PUMP PERFORMANCE

Nominal RPM: **3450**  
 Based on Fresh Water@ **68 deg. F.**  
 Maximum Working Pressure: **175 PSI**



## OUTLINE DIMENSIONS



Dimensions (in inches) are for estimating purposes only.



293 WRIGHT STREET, DELAVAN, WI 53115 WWW.STA-RITE.COM PH: 888-782-7483 ORDERS FAX: 800-426-9446  
 Because we are continuously improving our products and services, Pentair reserves the right to change specifications without prior notice.

S6044WS (05/23/13)