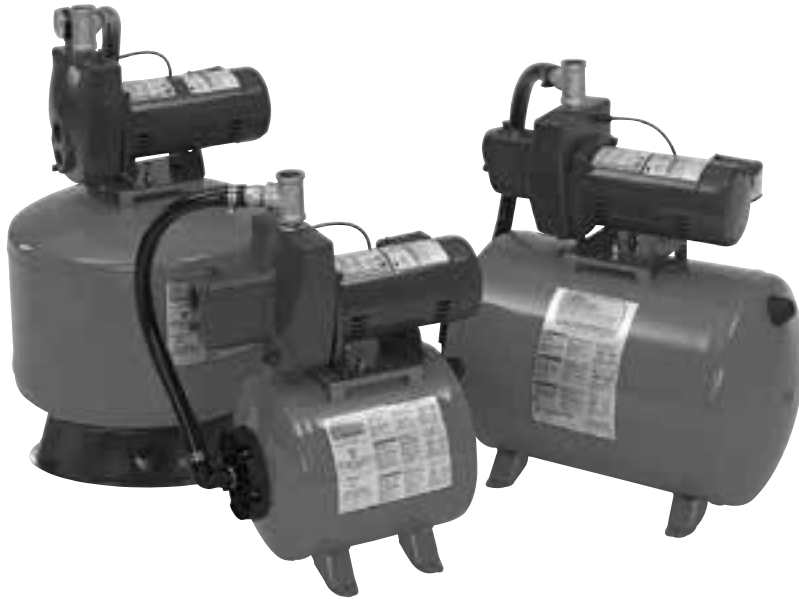


PRO-SOURCE® Jet/Tank Packages

Cast Iron



Pro-Source™ Water System Packages are handy and economical pump/tank packages for the professional contractor. The Pro-Source Water System Packages utilize the ProJet™ cast iron jet pumps and the dependable

Pro-Source quality pressurized steel tanks. Plumbing connections are made using galvanized fittings and 3-ply nylon reinforced vinyl tubing with stainless steel hose clamps. Ideal for installations where there is limited space.

APPLICATIONS

Water systems, sprinkling and pressure boosting...for homes, farms and cottages.

SPECIFICATIONS

Max. Liquid Temperature:
120°F (49°C)

Max. Inlet Pressure: 50 PSI

Pump Discharge PSI: Not to exceed 100 PSI

FEATURES

ProJet™ Jet Pumps

Body: Close-grained cast iron

Nozzle: High-strength polycarbonate

Venturi: Polycarbonate

Impeller: Noryl®

Diffuser: Reinforced polypropylene

Shaft: 416 stainless steel

Base: Steel, 10 gauge

Pro-Source™ Pressurized Tanks

Shell: Heavy-gauge steel

Base: High-impact composite; polypropylene

Finish: Baked-on polyester paint

Water Cell: PVC made from FDA listed material

Flange: Reinforced polypropylene

Connections: Galvanized

Tubing: 3-ply nylon reinforced vinyl with stainless steel hose clamps

ORDERING INFORMATION

JET/TANK CATALOG NUMBER	HP	JET PUMP TYPE	PUMP CAT. NO.	TANK CAT. NO.	TANK STYLE	TANK CAPACITY U.S. GAL.	DRAWDOWN @ 30-50 PSI SWITCH SET.	CONNECTION SIZE FEMALE	APPROX. WT. LBS.
SNCP15H	1/2	Shallow Well	SNC	PS6H-S05	Horizontal	6	1.8	3/4" NPT	85
SNCP42	1/2	Shallow Well	SNC	PS19S-T02	Vertical	19	5.8	1" NPT	120
SLCP42*	1/2	Deep Well	SLC	PS19S-T02	Vertical	19	5.8	1" NPT	127
SLDP42*	3/4	Deep Well	SLD	PS19S-T02	Vertical	19	5.8	1" NPT	130

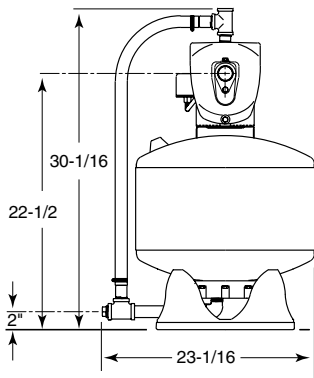
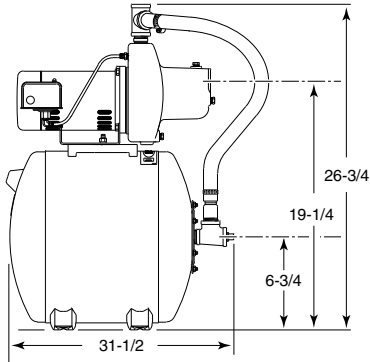
*Shallow well/deep well Jet Package included.

Noryl® is a registered trademark of General Electric Co.
All other brand or product names are trademarks or registered trademarks of Pentair Ltd.

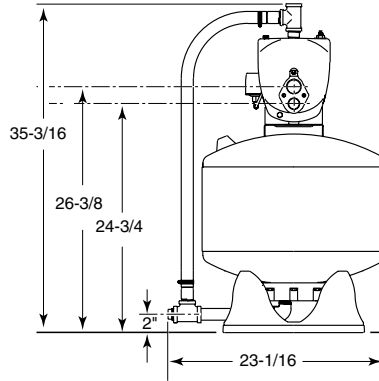
PRO-SOURCE® Jet/Tank Packages

Cast Iron

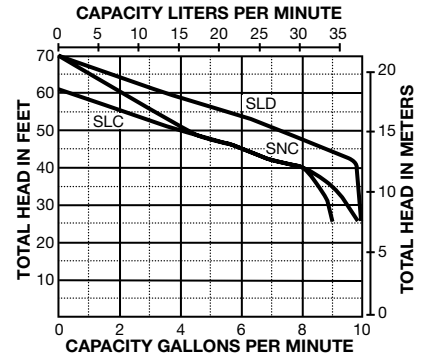
OUTLINE DIMENSIONS: SHALLOW WELL



OUTLINE DIMENSIONS: DEEP WELL



PUMP PERFORMANCE



TANK DRAWDOWN (IN GALLONS)

TANK CATALOG NUMBER	PRESSURE SWITCH SETTING		
	20-40	30-50	40-60
PS6H-S05	2.2	1.8	1.6
PS19S-T02	6.9	5.8	5.0

SHALLOW WELL PUMP PERFORMANCE (CAPACITY IN GALLONS PER MINUTE)

CATALOG NUMBER	HP	TOTAL SUCTION LIFT	DISCHARGE PRESSURE (PSI)			SHUT-OFF PSI
			30	40	50	
SNC	1/2	5'	9.7	7.9	4.5	67
		10'	8.3	7.2	3.8	65
		15'	7.4	6.4	3.1	62
		20'	5.9	5.6	2.7	60
		25'	4.3	4.1	1.8	58

Dimensions (in inches) are for estimating purposes only.

NOTE: Pump will operate at all depths shown, with pressure switch set at 30-50 PSI. Pumps installed with Pro-Source® tank require a 100 PSI relief valve.

PUMP PERFORMANCE (CAPACITY IN GALLONS PER MINUTE)

CATALOG NUMBER	HP	USE VENTURI/NOZZLE	EJECTOR PKG.*	SHALLOW WELL JET COMBINATIONS							
				TOTAL SUCTION LIFT	DISCHARGE PRESSURE (PSI)				SHUT-OFF PSI		
					30	40	50	60			
SLC	1/2	N32P-66B J34P-41	29SD	5'	9.0	7.9	4.1	-	61		
				15'	7.2	6.3	3.3	-	56		
				25'	4.7	4.1	2.1	-	52		
SLD	3/4	N32P-66B J34P-41	29SD	5'	9.9	9.8	7.3	3.5	70		
				15'	7.9	7.8	5.8	2.8	64		
				25'	5.1	5.0	3.8	1.7	59		
CATALOG NUMBER	HP	USE VENTURI/NOZZLE	EJECTOR PKG.*	DEEP WELL JET COMBINATIONS							
				DISCHARGE PRESSURE PSI	DISCHARGE PRESSURE (PSI)					SHUT-OFF MIN. DEPTH	
					30	40	50	60	70		80
SLC	1/2	J32P-24 J34P-41	4SD	30	7.3	5.8	4.5	3.3	2.3	-	68
				40	4.5	3.4	2.3	-	-	-	
SLD	3/4	J32P-24 J34P-41	4SD	30	8.9	7.3	6.4	5.0	4.0	2.5	75
				40	6.5	5.1	4.0	3.0	1.8	0.8	



293 WRIGHT STREET, DELAVAN, WI 53115 WWW.STA-RITE.COM PH: 888-782-7483 ORDERS FAX: 800-426-9446

Because we are continuously improving our products and services, Pentair reserves the right to change specifications without prior notice.

S5617WS (05/23/13)