

STA-RITE® SSJ Series

Cast iron vertical jet pumps



The SSJ Series Vertical Jet Pumps are the industry standard deep well jet pumps for over-the-well "bolt-on" installations.

The SSJ Series Jet Pumps include the pre-plumbed external automatic regulator, pressure gauge, pressure switch, and a complete line of casing adapters to drive the 4" double pipe or 2" and 3" single pipe jet packages.

APPLICATIONS

Water systems and sprinkling...for homes, farms and cottages.

SPECIFICATIONS

Body: Rugged cast iron

Pump and Motor Shaft: Stainless steel

Impellers: Noryl®

Diffuser: Heavy-duty cast iron

FEATURES

Automatic Pressure Regulator: Faster-acting, quieter design eliminates "hunting" for correct drive pressure. New, improved stem and guide are precisely molded to assure efficient, trouble-free performance on all deep wells.

Quality Construction: Precision-machined, close-grained cast iron pump body and base are specially treated to resist corrosion.

Noryl Impellers: Precision-molded for perfect balance, and ultra-smooth for highest performance and efficiency.

Pressure Switch: High quality. Differential and cut-in/cut-out pressure settings are adjustable.

Dustproof Cover: All electrical components are protected from dirt, dust and insects by a dustproof canopy. Ventilating air cannot contaminate vital switching components. This eliminates the most common cause of motor failure.

Motor Windings: Superior insulation materials protect against excessive moisture and contaminants to ensure prolonged motor life.

Balanced Rotor: Diecast under high pressures for uniform performance and greater efficiency...dynamically balanced.

Heavy-Duty Ball Bearings: Shielded, permanently lubricated bearings are extensively tested to ensure extended life and smooth, quiet operation.

Pump and Motor Shaft: Stainless steel for maximum corrosion resistance; one-piece threaded shaft for positive impeller drive and alignment.

ORDERING INFORMATION

CATALOG NUMBER	HP	DESCRIPTION	PIPE TAPPING SIZES			MOTOR VOLTAGE	APPROX. WT. LBS.
			SUCT.	DRIVE	DISCH.		
SSJC	1/2	Deep Well Jet	1-1/4"	1"	1"	115/230	53
SSJD	3/4	Deep Well Jet	1-1/4"	1"	1"	115/230	63
SSJE	1	Deep Well Jet	1-1/4"	1"	1"	115/230	65

ADAPTER FLANGE*

CATALOG NUMBER	DESCRIPTION	USED WITH
J216-26	1-1/4" x 1"	Offset single pipe and 4" double pipe

*Required for all 4" double pipe or offset installations.

NOTE: Order pump from ordering information table above. A Jet Package should be ordered with every SSJ Series Pump. All installations require an appropriate size adapter flange or casing adapter.

Noryl® is registered trademark of General Electric Co.

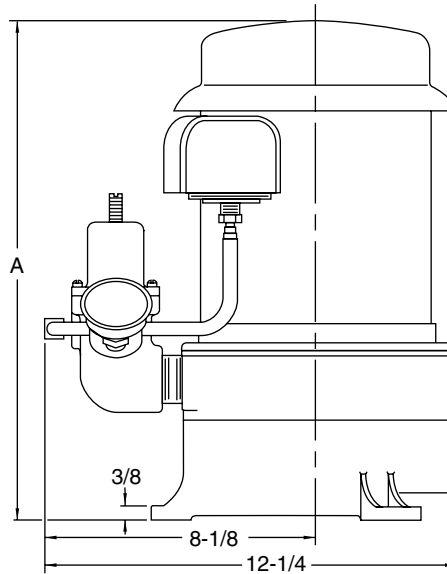
All other brand or product names are trademarks or registered trademarks of Pentair Ltd.

STA-RITE® SSJ Series

Cast iron vertical jet pumps

OUTLINE DIMENSIONS

CAT. NO.	A
SSJC	14-1/2
SSJD	15-1/8
SSJE	16-3/16



Dimensions (in inches) are for estimating purposes only.

PUMP PERFORMANCE (CAPACITY IN GALLONS PER MINUTE) DEEP WELL (40 PSI) 4" DOUBLE PIPE

CAT. NO.	HP	JET NO.	USES VENTURI	USES NOZZLE	PUMPING DEPTH IN FEET													MAX. PUMP SHUT-OFF PRESS. PSI	
					20'	30'	40'	50'	60'	70'	80'	90'	100'	110'	120'	130'	JET AT MIN. DEPTH	JET AT MAX. DEPTH	
SSJC	1/2	15SD	J32P-18	J34P-42		4.8	4.3	3.7	3.0	2.4	1.8	1.5	1.0	0.5			91	50	
		CK4	J32P-32	J34P-35	9.5	7.0	4.5	2.0									62	44	
		4SD	J32P-24	J34P-41		6.5	5.1	4.0	3.0	1.8	0.8							75	45
SSJD	3/4	CK1	J32P-22	J34P-43		8.3	7.4	6.3	5.3	3.8	3.5	2.6	1.8	1.0			88	46	
		CK3	J32P-32	J34P-41		10.0	6.4	3.0									57	46	
		4SD	J32P-24	J34P-41		8.6	7.5	6.5	5.2	4.0	2.9	1.8	0.8					93	51
SSJE	1	CK1	J32P-22	J34P-43		8.6	7.8	6.6	5.6	4.5	3.6	2.8	2.3	1.7	1.1	0.6	98	47	
		CK4	J32P-28	J34P-45		11.4	10.7	9.6	8.3	7.0	5.0	3.3	1.6				102	48	
		CK4	J32P-38	J34P-45	17.0	13.2	9.5	5.8	2.2								66	44	

Tested and rated in accordance with Water Systems Council Standards.

NOTE: Pumps installed with a Pro-Source® tank require a 100 PSI relief valve. Pumps installed with a conventional tank require a 75 PSI relief valve. Relief valve must be capable of relieving entire flow of pump at relief pressure.

STA-RITE® SSJ Series

Cast iron vertical jet pumps

PUMP PERFORMANCE (CAPACITY IN GALLONS PER MINUTE) DEEP WELL (40 PSI) 2" SINGLE PIPE																			
CAT. NO.	HP	JET NO.	USES VENTURI	USES NOZZLE	PUMPING DEPTH IN FEET													MAX. PUMP SHUT-OFF PRESS. PSI	
					20'	30'	40'	50'	60'	70'	80'	90'	100'	110'	120'	130'	JET AT MIN. DEPTH	JET AT MAX. DEPTH	
SSJC	1/2	14AP	J32P-32	J34P-45	9.2	6.7	4.3										61	49	
		10AP	J32P-24	J34P-44		6.2	4.8	3.7	2.3	1.2							71	47	
		8AP	J32P-18	J34P-42		4.1	3.7	3.1	2.6	2.1	1.6	1.2	0.8				94	53	
SSJD	3/4	15AP	J32P-33	J34P-41	12.3	9.2	5.7										57	48	
		9AP	J32P-29	J34P-44		10.6	7.4	4.7	2.3								64	47	
		8AP	J32P-18	J34P-42		5.0	4.7	4.2	3.8	3.3	3.3	2.3	1.8	1.3			109	62	
SSJE	1	16AP	J32P-38	J34P-45	15.3	11.8	8.5	5.2									65	48	
		9AP	J32P-29	J34P-44		12.3	9.3	6.4	4.0								72	53	
		8AP	J32P-18	J34P-42		5.7	5.0	4.6	4.2	3.7	3.3	2.8	2.4	1.8	1.3		124	66	
DEEP WELL (40 PSI) 3" SINGLE PIPE																			
SSJC	1/2	19CP	J32P-24	J34P-41		6.5	5.1	4.0	3.0	1.8	0.8						75	45	
		16CP	J32P-18	J34P-42		4.8	4.3	3.7	3.0	2.4	1.8	1.5	1.0	0.5			91	50	
		11CP	J32P-32	J34P-45	9.5	7.0	4.5	2.0									62	44	
SSJD	3/4	26CP	J32P-33	J34P-41	13.0	9.8	6.0										58	49	
		19CP	J32P-24	J34P-41		8.6	7.5	6.5	5.2	4.0	2.9	1.8	0.8				93	51	
		17CP	J32P-29	J34P-44		11.5	8.0	5.2	2.6								66	48	
		15CP	J32P-22	J34P-43		8.3	7.4	6.3	5.3	3.8	3.5	2.6	1.8	0.1			88	46	
SSJE	1	19CP	J32P-24	J34P-41		7.9	7.5	7.2	6.5	5.6	4.4	2.8					105	69	
		15CP	J32P-22	J34P-43		8.6	7.8	6.6	5.6	4.5	3.6	2.8	2.3	1.7	1.1	0.6	98	47	
		10CP	J32P-38	J34P-45	17.0	13.2	9.5	5.8	2.2								66	44	

Tested and rated in accordance with Water Systems Council Standards.

NOTE: Pumps installed with a Pro-Source® tank require a 100 PSI relief valve. Pumps installed with a conventional tank require a 75 PSI relief valve. Relief valve must be capable of relieving entire flow of pump at relief pressure.



293 WRIGHT STREET, DELAVAN, WI 53115 WWW.STA-RITE.COM PH: 888-782-7483 ORDERS FAX: 800-426-9446
Because we are continuously improving our products and services, Pentair reserves the right to change specifications without prior notice.

S4512WS (05/20/13)