



2-1/2" - 4"

TB Series True Union Ball Valves

2-1/2" TO 6" PVC AND CPVC

KEY FEATURES

- PVC and CPVC
- Full Port Design Through 4"
- Reversible PTFE Seats
- Double O-Ring Stem Seals
- Easily Actuated
- NSF/ANSI 61 Listed (2-1/2"-4")
- Actuator-Ready Design

OPTIONS

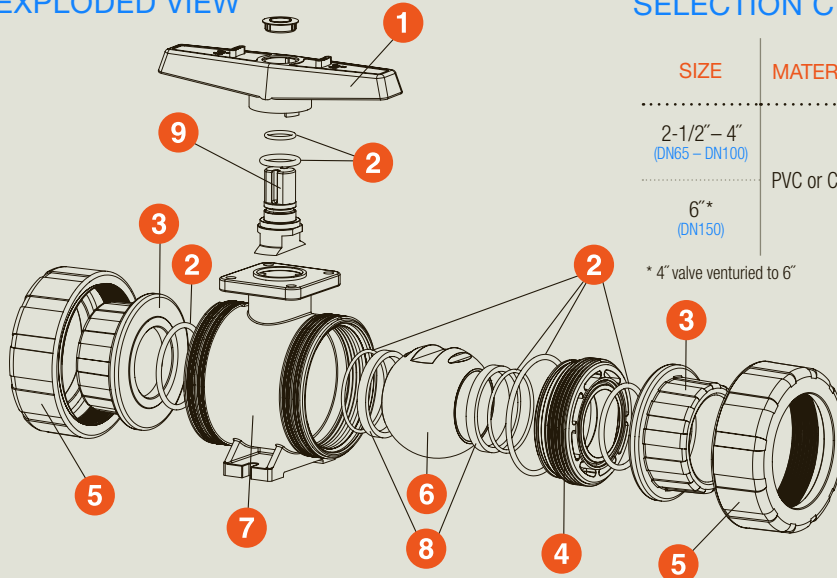
- Pneumatic and Electric Actuators
- Lockouts Available
- Gear Operator
- 2" Square Operating Nuts
- Stem Extensions
- Spring Return Handle

MATERIALS

- PVC Cell Class 12454 per ASTM D1784
- CPVC Cell Class 23447 per ASTM D1784
- FPM and EPDM O-Ring Seals

TECHNICAL INFORMATION

EXPLODED VIEW



SELECTION CHART

SIZE	MATERIAL	END CONNECTION	SEALS	PRESSURE RATING
2-1/2" - 4" (DN65 - DN100)	PVC or CPVC	Socket, Threaded or Flanged**	FPM or EPDM	235 PSI @ 70°F Non-Shock
6"* (DN150)		Flanged		150 PSI @ 70°F Non-Shock

* 4" valve venturied to 6"

** All flanged valves are rated to 150 PSI @ 70°F Non-Shock

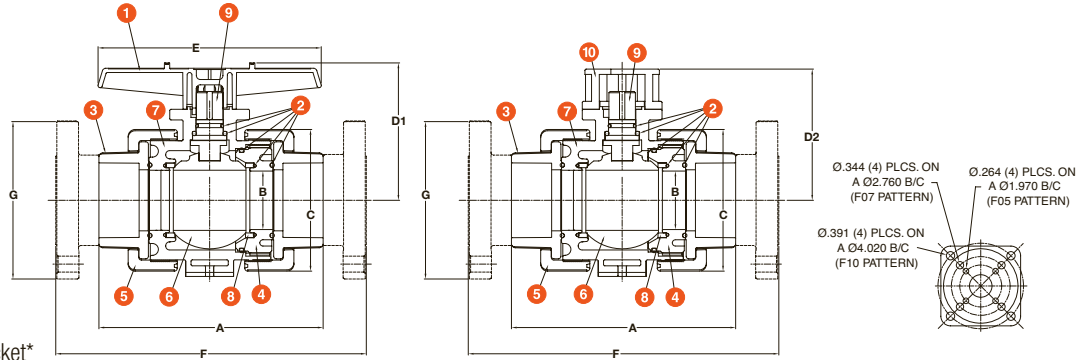
TB Series True Union Ball Valves

2-1/2" TO 6" PVC AND CPVC

TECHNICAL INFORMATION, CONTINUED

PARTS LIST

1. Handle
2. O-Ring Seals
3. End Connector
4. Seal Retainer
5. Union Nut
6. Ball
7. Body
8. PTFE Seat
9. Stem
10. Actuator Mounting Bracket*



* Mounting bracket sold separately

DIMENSIONS

SIZE in/DN	A in/mm	B in/mm	C in/mm	D1 in/mm	D2 in/mm	E in/mm	F in/mm	G in/mm	WEIGHT lbs/kg	
									SOC/THD	FLANGED
2-1/2/65	10.68/271	2.75/70	6.66/169	6.46/164	6.17/157	10.50/267	14.65/372	7.00/178	11.30/5.13	15.30/6.94
3/80*	10.56/268	2.75/70	6.66/169	6.46/164	6.17/157	10.50/267	14.60/371	7.90/200	11.30/5.13	15.30/6.94
4/100*	12.30/312	3.81/97	8.56/217	7.62/194	6.64/168	10.50/267	17.26/438	8.96/228	18.50/8.39	25.70/11.66
6/150*	N/A	3.81/97	8.56/217	7.62/194	6.64/168	10.50/267	19.26/489	11.00/279	N/A	30.75/13.95

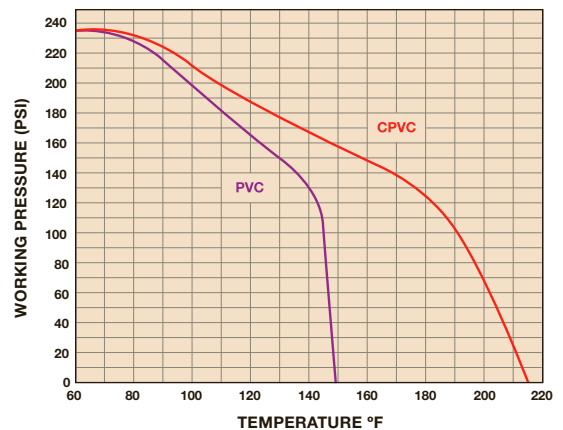
Dimensions are subject to change without notice – consult factory for installation information

* Metric End Connections Available In: BSP – Straight Thread, BSP TR – Tapered Thread and Metric Socket

Cv VALUES

SIZE in/DN	Cv VALUES	SIZE in/DN	Cv VALUES	PRESSURE LOSS CALCULATION FORMULA
2-1/2/65	340.0	4/100	600.0	
3/80	490.0	6/150	550.0	

OPERATING TEMPERATURE/PRESSURE



Hayward is a registered trademark of Hayward Industries, Inc. © 2015 Hayward Industries, Inc.

Contact Hayward Flow Control with questions: **USA:** 1-888-429-4635 • Fax: 1-888-778-8410 • One Hayward Industrial Drive • Clemmons, NC 27012 USA
Canada: 1.888.238.7665 • Fax: 1.905.829.3636 • 2880 Plymouth Drive • Oakville, ON L6H 5R4 Canada • Email: hflowcanada@haywardnet.com
 Visit us at: www.haywardflowcontrol.com • E-mail: hflow@haywardnet.com