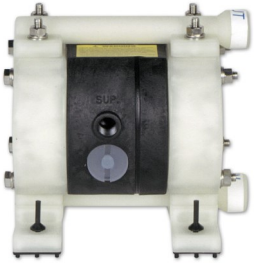
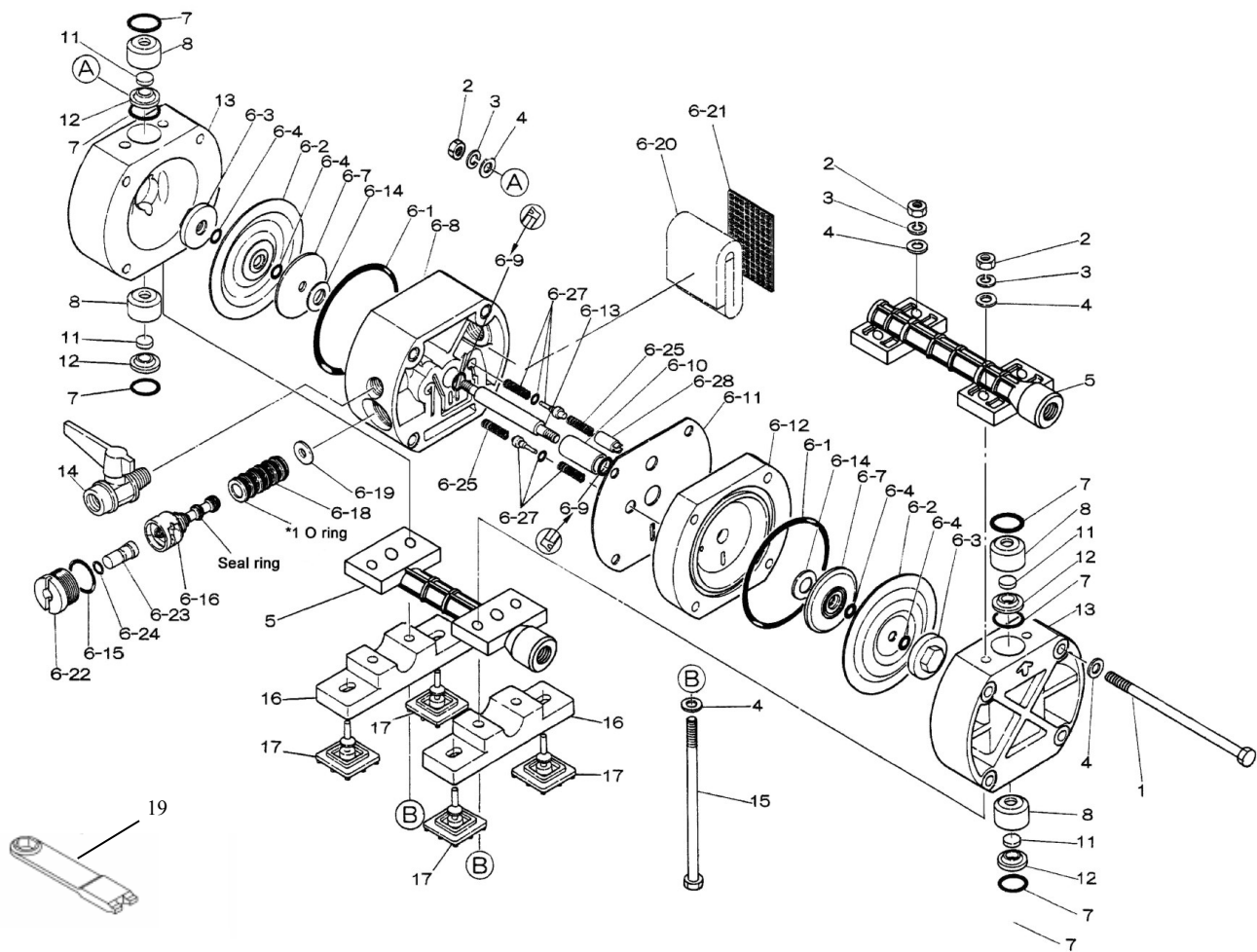


Air Operated Double Diaphragm Pump

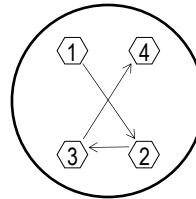


Trial Program



Air Operated Double Diaphragm Pump

| REF. No. | PART No. | DESCRIPTION | QTY. | REORDER |
|-----------|------------|----------------------------|------|---------|
| 1 | 682748 | BOLT | 4 | |
| 2 | 628010 | NUT | 8 | |
| 3 | 681855 | SPRING LOCK WASHER | 8 | |
| 4 | 631328 | PLAIN WASHER | 16 | |
| 5 | 780133 | MANIFOLD | 2 | |
| 6 | BODY ASSY. | | | |
| 6-1 | 640139 | O-RING | 2 | |
| 6-2 | 771093 | DIAPHRAGM | 2 | |
| 6-3 | 771089 | CENTER DISK | 2 | |
| 6-4 | 643003 | O-RING | 4 | |
| 6-7 | 709317 | CENTER DISK | 2 | |
| 6-8 | 780006 | BODY A | 1 | |
| 6-9 | 685752 | PACKING | 2 | |
| 6-10 | 771088 | BUSHING | 1 | |
| 6-11 | 771980 | GASKET | 1 | |
| 6-12 | 780001 | BODY B | 1 | |
| 6-13 | 709316 | CENTER ROD | 1 | |
| 6-14 | 771239 | CUSHION | 2 | |
| 6-15 | 640017 | O-RING | 1 | |
| 6-16 | 802386 | C-SPOOL VALVE ASSY. | 1 | |
| 6-16 seal | 771098 | SEAL RING | 5 | |
| 6-18 | 802049 | SLEEVE ASSY. | 1 | |
| 6-18-*1 | 771097 | O-RING (SLEEVE O.D.) | 6 | |
| 6-19 | 771096 | CUSHION | 1 | |
| 6-20 | 771465 | SILENCER | 1 | |
| 6-21 | 771589 | MESH | 1 | |
| 6-22 | 771100 | CAP | 1 | |
| 6-23 | 771099 | RESET BUTTON | 1 | |
| 6-24 | 640002 | O-RING | 1 | |
| 6-25 | 709319 | SPRING | 2 | |
| 6-27 | 803510 | PILOT VALVE ASSY. | 2 | |
| 6-27-*1 | 640000 | O-RING (PILOT VALVE ASSY.) | 2 | |
| 6-28 | 771095 | STOPPER | 1 | |
| 7 | 643015 | O-RING | 6 | |
| 8 | 772655 | VALVE STOPPER | 4 | |
| 11 | 771094 | FLAT VALVE | 4 | |
| 12 | 772738 | VALVE SEAT | 4 | |
| 13 | 780231 | OUT CHAMBER | 2 | |
| 14 | 686826 | BALL VALVE | 1 | |
| 15 | 682747 | BOLT | 4 | |
| 16 | 771101 | BASE | 2 | |
| 17 | 771102 | CUSHION | 4 | |
| 19 | 771132 | ACCESSORY TOOL | 1 | |
| KIT | K5-PT-2 | LIQUID SIDE KIT | | |
| KIT | K5-AM | AIR MOTOR KIT | | |



Tightening torque for center rod and out chambers.

Center Rod 65 in-lbf {7.4 N-m}
Out Chambers 65 in-lbf {7.4 N-m}

Tightening torque for manifold retainer bolts.
FPT 65 in-lbf {7.4 N-m}

General Tools:

- Socket wrench - 10mm
- Open-end wrenches - 10mm
- Plyer

Special Tools (sold separately):

- Cap and disk remover (771132)
- Sleeve remover (713148)

Miscellaneous:

- Assembly Oil - turbine oil none additional class 1 (equivalent to ISO VGA32 grade)
- Nuts - M6 x 1
- Urea grease grade (NLGI) No. 2

Customer Notes

Model #: _____
 Description: _____
 Serial #: _____
 Date Installed: _____
 Department Location: _____
 Tag/Project: _____