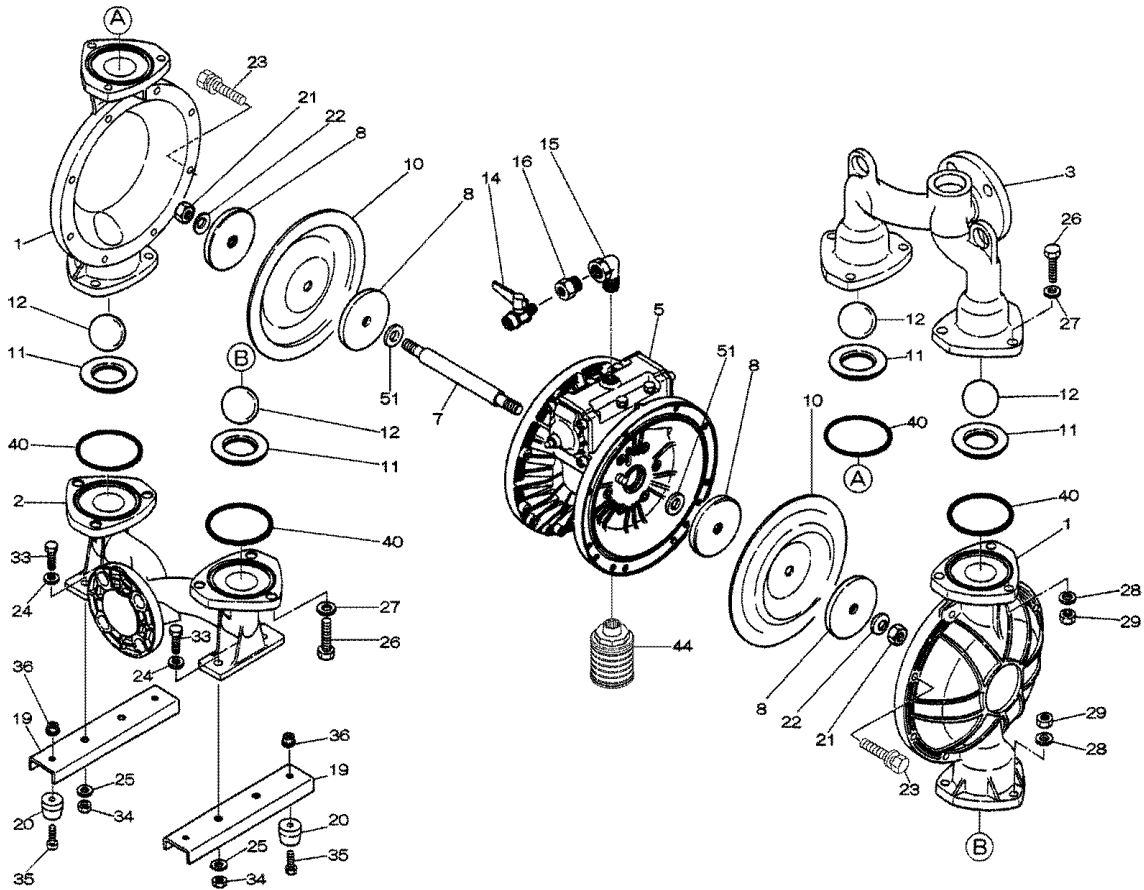
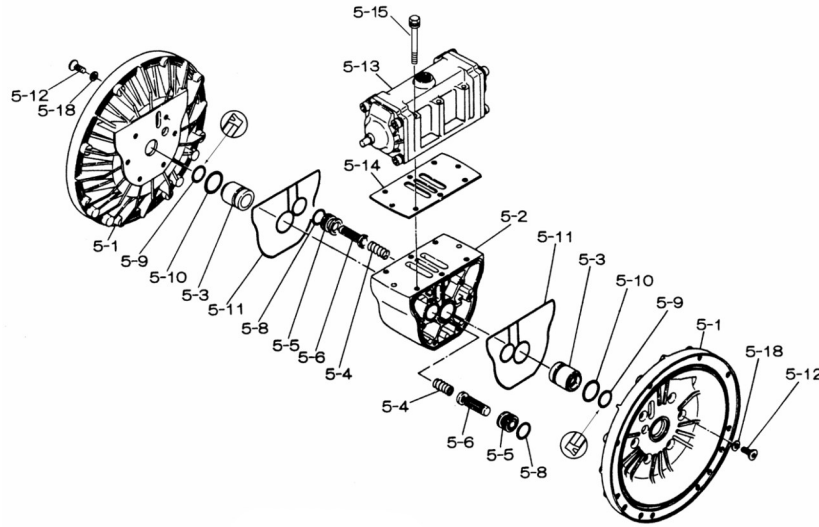


Air Operated Double Diaphragm Pump

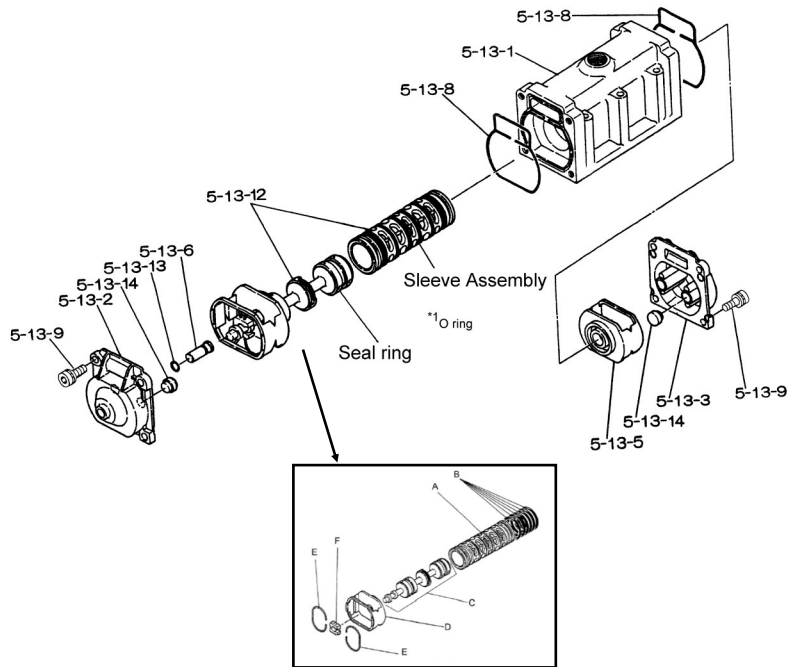


Air Operated Double Diaphragm Pump

■ Body Assembly



■ Valve Body Assembly

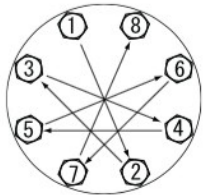


Air Operated Double Diaphragm Pump

	NDP-40BAC	NDP-40BAN	NDP-40BAE	NDP-40BAH	NDP-40BAS	NDP-40BAV			
	852417	852220	852418	852221	852709	852300			
REF. No.	PARTS No.	PARTS No.	PARTS No.	PARTS No.	PARTS No.	PARTS No.	DESCRIPTION	QTY.	REORDER
1	580960	580960	580960	580960	580960	580960	OUT CHAMBER	2	
2	714367	714367	714367	714367	714367	714367	IN MANIFOLD	1	
3	714361	714361	714361	714361	714361	714361	OUT MANIFOLD	1	
<b>5</b>	<b>803111</b>	<b>803111</b>	<b>803111</b>	<b>803111</b>	<b>803111</b>	<b>803111</b>	<b>BODY</b>	1	
5- 1	711933	711933	711933	711933	711933	711933	AIR CHAMBER	2	
5- 2	711936	711936	711936	711936	711936	711936	BODY	1	
5- 3	780325	780325	780325	780325	780325	780325	THROAT BEARING	2	
5- 4	711937	711937	711937	711937	711937	711937	PILOT VALVE SPRING	2	
5- 5	771740	771740	771740	771740	771740	771740	PILOT VALVE SEAT	2	
5- 6	832162	832162	832162	832162	832162	832162	PILOT VALVE ASSY	2	
5- 8	640020	640020	640020	640020	640020	640020	O RING 21.82X3.53	2	
5- 9	685444	685444	685444	685444	685444	685444	V-PACKING	2	
5-10	640029	640029	640029	640029	640029	640029	O RING 29.75X3.53	2	
5-11	771742	771742	771742	771742	771742	771742	GASKET	2	
5-12	683812	683812	683812	683812	683812	683812	M8X1.25X20 FLAT SOCKET	12	
5-13	802971	802971	802971	802971	802971	802971	VALVE BODY ASSY	1	
5-13-1	711931	711931	711931	711931	711931	711931	VALVE BODY	1	
5-13-2	580999	580999	580999	580999	580999	580999	CAP A	1	
5-13-3	581000	581000	581000	581000	581000	581000	CAP B	1	
5-13-5	771735	771735	771735	771735	771735	771735	SPRING RETAINER	1	
5-13-6	712976	712976	712976	712976	712976	712976	RESET BUTTON	1	
5-13-8	771738	771738	771738	771738	771738	771738	GASKET	2	
5-13-9	685036	685036	685036	685036	685036	685036	SOCKET BOLT	8	
<b>5-13-12</b>	<b>805084</b>	<b>805084</b>	<b>805084</b>	<b>805084</b>	<b>805084</b>	<b>805084</b>	<b>C SPOOL ASSY 40/50/80</b>	1	
A	803675	803675	803675	803675	803675	803675	SLEEVE ASSY	1	
B	640036	640036	640036	640036	640036	640036	O-RING	6	
C	805085	805085	805085	805085	805085	805085	SPOOL ASSY	1	
D	771735	771735	771735	771735	771735	771735	SPRING RETAINER	1	
E	711932	711932	711932	711932	711932	711932	C-SPRING	2	
F	771734	771734	771734	771734	771734	771734	BLOCK	1	
5-13-13	640005	640005	640005	640005	640005	640005	O-RING	1	
5-13-14	684128	684128	684128	684128	684128	684128	CUSHION	4	
5-14	771712	771712	771712	771712	771712	771712	GASKET	1	
5-15	684240	684240	684240	684240	684240	684240	BOLT W/WASHERS	6	
5-18	684987	684987	684987	684987	684987	684987	WASHER	12	
7	711900	711900	711900	711900	711900	711900	CENTER ROD	1	
8	711902	711902	711902	711902	711902	711902	CENTER DISC	4	
10	771853	771700	771854	771701	771975	771799	DIAPHRAGM	2	
11	771956	771994	771921	771793	772003	771997	VALVE SEAT	4	
12	770550	770584	770593	773142	773172	770602	BALL	4	
14	686972	686972	686972	686972	686972	686972	BALL VALVE	1	
15	682523	682523	682523	682523	682523	682523	ELBOW	1	
16	684339	684339	684339	684339	684339	684339	BUSHING	1	
19	711911	711911	711911	711911	711911	711911	BASE	2	
20	771402	771402	771402	771402	771402	771402	FOOT RUBBER	4	
21	683408	683408	683408	683408	683408	683408	NUT	2	
22	682740	682740	682740	682740	682740	682740	WASHER	2	
23	686162	686162	686162	686162	686162	686162	BOLT	16	

Air Operated Double Diaphragm Pump

	NDP-40BAC	NDP-40BAN	NDP-40BAE	NDP-40BAH	NDP-40BAS	NDP-40BAV			
	852417	852220	852418	852221	852709	852300			
REF. No.	PARTS No.	PARTS No.	PARTS No.	PARTS No.	PARTS No.	PARTS No.	DESCRIPTION	QTY.	REORDER
24	631014	631014	631014	631014	631014	631014	FLAT WASHER	4	
25	631917	631917	631917	631917	631917	631917	WAVE WASHER	20	
26	611203	611203	611203	611203	611203	611203	BOLT	12	
27	631015	631015	631015	631015	631015	631015	FLAT WASHER	12	
28	631918	631918	631918	631918	631918	631918	WAVE WASHER	12	
29	627014	627014	627014	627014	627014	627014	NUT	12	
33	611175	611175	611175	611175	611175	611175	BOLT	4	
34	627013	627013	627013	627013	627013	627013	NUT	4	
35	611149	611149	611149	611149	611149	611149	BOLT	4	
36	682276	682276	682276	682276	682276	682276	NUT W/FLANGE	4	
40	640065	640065	683999	640065	683999	642065	O-RING	4	
44	804764	804764	804764	804764	804764	804764	SILENCER ASSY.	1	
51	770582	770582	770582	770582	770582	770582	CUSHION	2	
KIT	K40-MC	K40-MN	K40-ME	K40-MH	K40-MS	K40-MV	LIQUID SIDE KIT		
KIT	K45-AM						AIR MOTOR KIT		



**Tightening torque for center rod and out chambers.**

Center Rod                      43 ft-lbf {60 N-m}  
Out Chambers                    29 ft-lbf {40 N-m}

**Tightening torque for manifold retainer bolts.**

BAC/E/H/N/S/V                    18 ft-lbf {25 N-m}

**General Tools:**

- Socket wrenches - 24mm
- Hexagonal box wrench - 5mm, 6mm
- Small crowbars - 2 (C/N/E/V)
- Open-end wrenches - 19mm, 24mm
- Plastic hammer

**Special Tools:**

- Sleeve remover (713180) used for removing the sleeve. (sold separately)

**Miscellaneous:**

- Assembly Oil - turbine oil none additional class 1 (equivalent to ISO VG32 grade)
- Nuts - M16 x 1.5
- Thread locker
- Urea grease grade (NLGI) No. 2

<i>Customer Notes</i>	
<i>Model #:</i>	_____
<i>Description:</i>	_____
<i>Serial #:</i>	_____
<i>Date Installed:</i>	_____
<i>Department Location:</i>	_____
<i>Tag/Project:</i>	_____