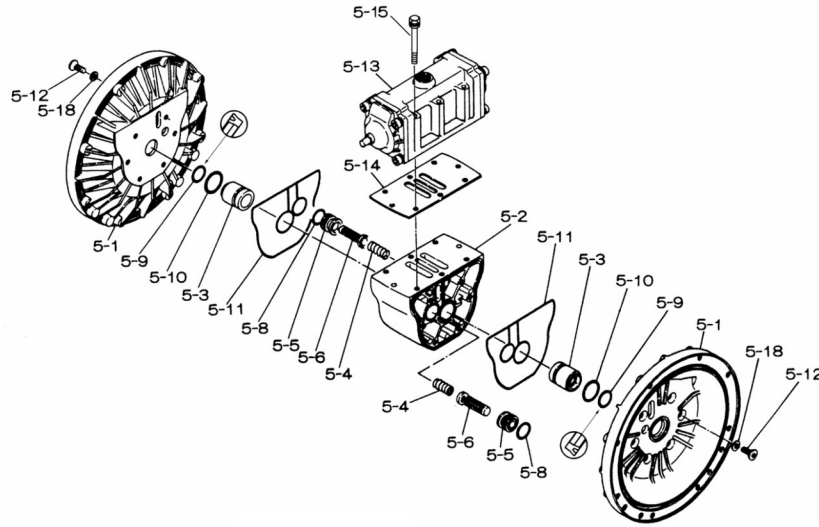
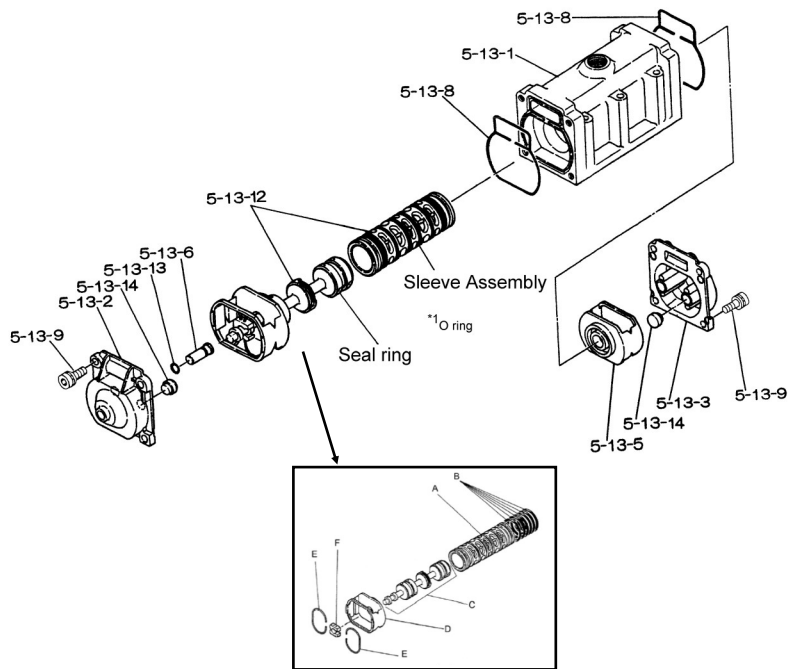


■Body Assembly



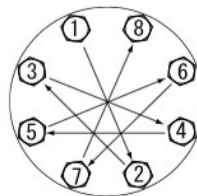
■Valve Body Assembly



Air Operated Double Diaphragm Pump (w/metal center body)

REF.NO.	PART NO.	DESCRIPTION	QTY	REORDER
1	780153	OUT CHAMBER 50PVDF-2	2	
2	780252	IN MANIFOLD 50PVDF	2	
3	780154	OUT MANIFOLD 50PVDF-2	2	
4	780115	CENTER MANIFOLD 50PVDF	2	
5	803112	CENTER BODY ASSY 50	1	
5- 1	711934	AIR CHAMBER 50	2	
5- 2	711936	BODY	1	
5- 3	780325	THROAT BEARING	2	
5- 4	711937	PILOT VALVE SPRING	2	
5- 5	771740	PILOT VALVE SEAT	2	
5- 6	832162	PILOT VALVE ASSY.	2	
5- 8	640020	O-RING	2	
5- 9	685444	V-PACKING	2	
5-10	640029	O-RING	2	
5-11	771742	GASKET 40/50/80	2	
5-12	683812	M8X1.25X20 FLAT SOCKET	12	
5-13	802971	VALVE BODY ASSY	1	
5-13- 1	711931	VALVE BODY 40/50/80	1	
5-13- 2	580999	CAP A 40/50/80 NEW	1	
5-13- 3	581000	CAP B 40/50/80 NEW	1	
5-13- 5	771735	SPRING RETAINER	1	
5-13- 6	712976	RESET BUTTON	1	
5-13- 8	771738	GASKET 40/50/80 SPOOL	2	
5-13- 9	685036	SOCKET BOLT M8X20 W/ W	8	
5-13-12	805084	C SPOOL ASSY 40/50/80	1	
A	803675	SLEEVE ASSY.	1	
B	640036	O-RING	6	
C	805085	SPOOL ASSY.	1	
D	771735	SPRING RETAINER	1	
E	711932	C-SPRING	2	
F	771734	BLOCK	1	
5-13-13	640005	O-RING	1	
5-13-14	684128	CUSHION 40/50/80 CAP	4	
5-14	771712	GASKET FOR VALVE BODY	1	
5-15	684240	BOLT W/WASHER	6	
5-18	684987	WASHER	12	
7T	711939	CENTER ROD 40/50T	1	
8T	707822	CENTER DISK 50T INNER	2	
9T	780116	CENTER DISK 50PVDF-T	2	
10	770815	DIAPHRAGM (PTFE) 50	2	
11	772100	VALVE SEAT (PTFE) 50	4	
12	770693	BALL 50T	4	
14	686974	BALL VALVE 50/80 3/4"	1	
15	682523	ELBOW STRT 3/4" 90D	1	
19	711926	STAND 50PP	2	
20	771865	FOOT RUBBER	4	
23	686156	BOLT	16	

REF.NO.	PART NO.	DESCRIPTION	QTY	REORDER
24	631330	FLAT WASHER	24	
25	680257	SPRING WASHER	24	
26	621213	BOLT	12	
27	631331	FLAT WASHER	32	
28	680607	SPRING WASHER	20	
29	628014	NUT	20	
33	621179	BOLT	8	
35	621149	BOLT	4	
36	683837	NUT W/FLANGE	4	
37	684592	BOLT	8	
39	771899	O-RING	4	
40	772063	O-RING	4	
41T	643015	O-RING	4	
44	804764	SILENCER ASSY	1	
46	683641	CAP 40/50/80PP STAND	4	
47	771786	PROTECTOR A 50PP&PVDF	8	
48	771787	PROTECTOR B 50PP&PVDF	8	
49	771788	PROTECTOR C 50PP&PVDF	8	
53	643139	O-RING	4	
KIT	K50-VT	LIQUID END KIT		
KIT	K45-AM	AIR MOTOR KIT		



Tightening torque for center rod and out chambers.

Center Rod 36 ft-lbf {50 N-m}
 Out Chambers 26 ft-lbf {35 N-m}

Tightening torque for manifold retainer bolts.
 50BVT 18 ft-lbf {25 N-m}

General Tools:

- Socket wrenches - 13mm, 17mm, 19mm, 24mm
- Hexagonal box wrench - 5mm, 6mm
- Plastic hammer

Special Tools (sold separately):

- Sleeve remover (713180).
- PP wrench to remove the center disk (771868).

Miscellaneous:

- Assembly Oil - turbine oil none additional class 1 (equivalent to ISO VG32 grade)
- Nuts - M16 x 1.5
- Thread locker
- Urea grease grade (NLGI) No. 2

Customer Notes	
Model #:	_____
Description:	_____
Serial #:	_____
Date Installed:	_____
Department Location:	_____
Tag/Project:	_____