

Model: NDP-50BSH-FDA
Part # 852644-FDA



Reference No.	Description	Q'ty	Part No.
1	Out Chamber	2	712932-EP
2	In Manifold - NPT	1	712559-TC-EP
3	Out Manifold - NPT	1	712558-TC-EP
5	Body Assembly	1	803112-XP
7	Center Rod	1	711900-FDA
8	Center Disk	2	711904
9	Center Disk	2	711905-EP
10	Diaphragm	2	771703
11	Valve Seat	4	711909-EP
12	Ball	4	770693
14	Ball Valve	1	684322
15	Elbow	1	682523
19	Pump Base	2	711928-XP
20	Cushion	4	771402
23	Bolt	16	621180
24	Plain Washer	4	631174
25	Wave Washer	20	631937
26	Bolt	12	621202
27	Plain Washer	12	631175
28	Wave Washer	12	631938
29	Nut	12	628014
33	Bolt	4	621175
34	Nut	4	628013
35	Bolt	4	611149
36	Nut with Flange	4	682276
40	O-ring	4	643069
44	Silencer	1	804764
51	Cushion	2	770582
53	O-ring	4	643139

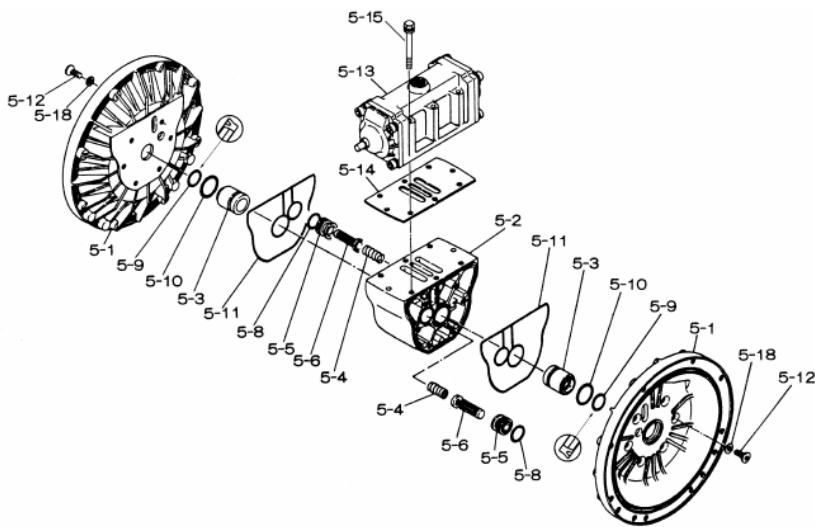
Repair Kits

K50-MH-FDA Liquid Side Kit includes the following:

10	Diaphragm	2	771703
53	O-ring	4	643139
40	O-ring	4	643069
12	Ball	4	770693

K45-AM Air Side Kit includes the following:

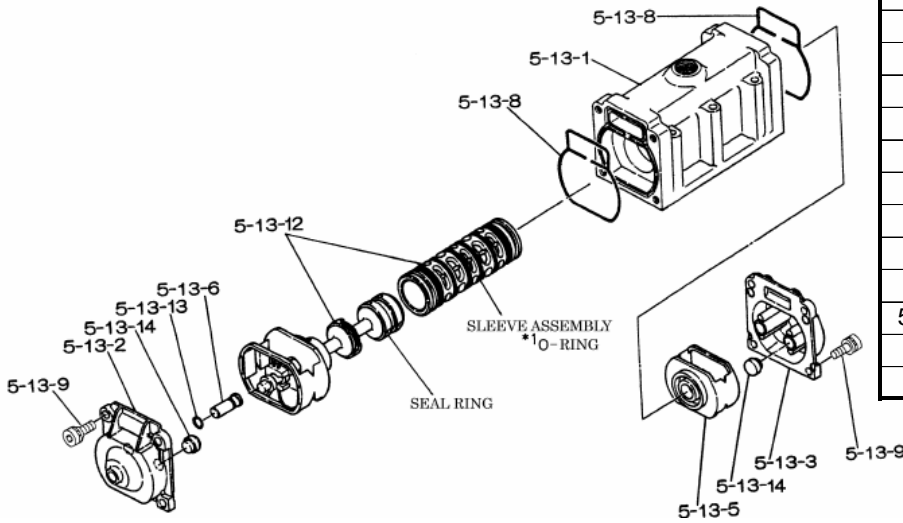
5-3	Throat Bearing	2	772689
5-4	Spring	2	711937
5-5	Pilot Valve Seat	2	771740
5-6	Pilot Valve Assembly	2	832162
5-8	O-ring	7	640020
5-9	Packing	2	685444
5-10	O-ring	2	640029
5-11	Gasket	2	771742
5-14	Gasket	1	771712
5-13-8	Gasket	2	771738
5-13-12 Seal	Seal Ring	15	771732
5-13-12 Sleeve	Sleeve Assembly	1	803675



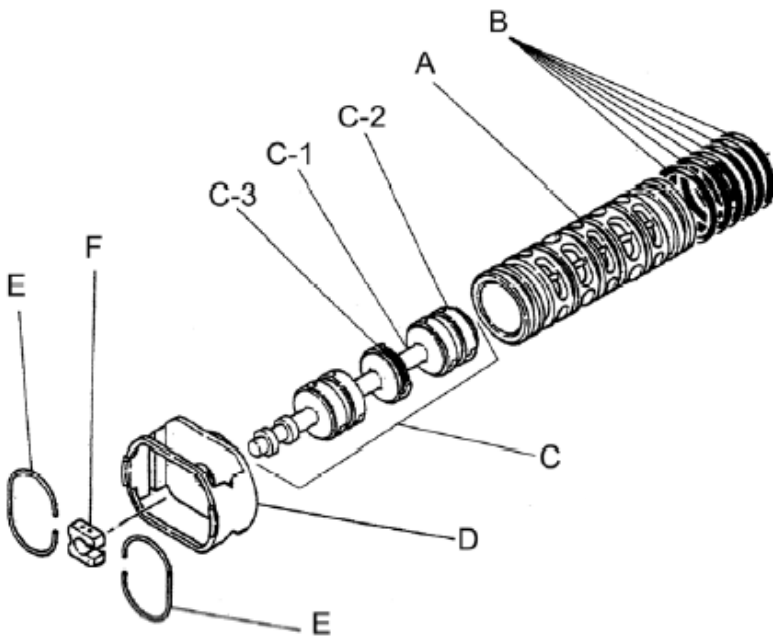
Body Assembly 803112-XP

Reference No.	Description	Q'ty	Part No.
5-1	Air Chamber	2	711934-XP
5-2	Body	1	711936-XP
5-3	Throat Bearing	2	772689
5-4	Spring	2	711937
5-5	Pilot Valve Seat	2	771740
5-6	Pilot Valve Assembly	2	832162
5-8	O-ring	2	640020
5-9	Packing	2	685444
5-10	O-ring	2	640029
5-11	Gasket	2	771742
5-12	Flat Head Bolt	12	683812-S
5-13	Valve Body Assembly	1	802971-XP
5-14	Gasket	1	771712
5-15	Bolt	6	684240-S
5-18	Plain Washer	12	684987

802971-XP Valve Body Assembly



Reference			
No.	Description	Q'ty	Part No.
5-13-1	Valve Body	1	711931-XP
5-13-2	Cap A	1	580999-XP
5-13-3	Cap B	1	581000-XP
5-13-5	Spring Stopper	1	771735
5-13-6	Reset Button	1	712976-S
5-13-8	Gasket	2	771738
5-13-9	Bolt	8	685036
5-13-12	C Spool Valve Assy.	1	803115
5-13-12 Seal	Seal Ring	15	771732
5-13-12 Sleeve	Sleeve Assembly	1	803675
5-13-13	O-ring	1	640005
5-13-14	Cushion	4	684128



803115 Air Valve Assembly (5-13-12)

Reference			
No.	Description	Q'ty	Part No.
A	Sleeve	1	803675
B	O-ring	6	640037
C	Spool Assembly	1	803114
C-1	Spool	1	771733
C-2	Seal Ring	15	771732
C-3	O-ring	5	640020
D	Spring Retainer	1	771735
E	C-Spring	2	711932
F	Block	1	771734