

EXPLODED VIEW & PARTS LISTING

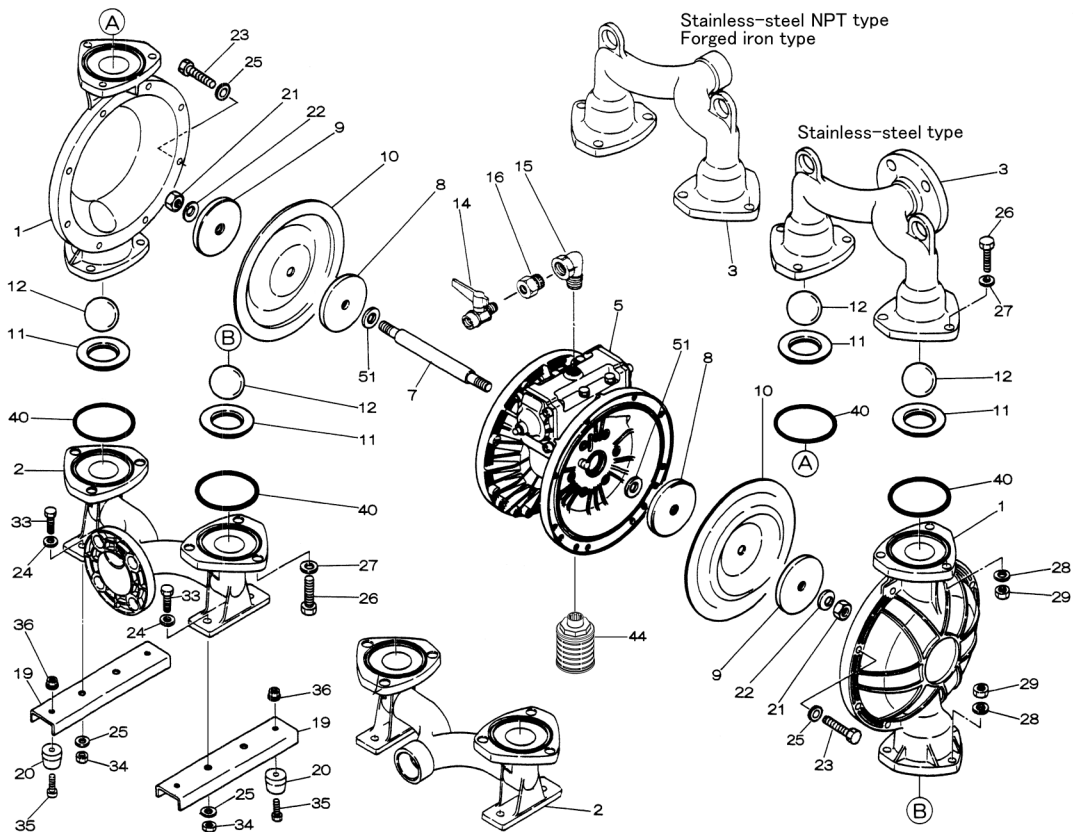
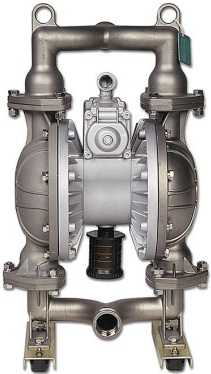
Model: NDP-40BF



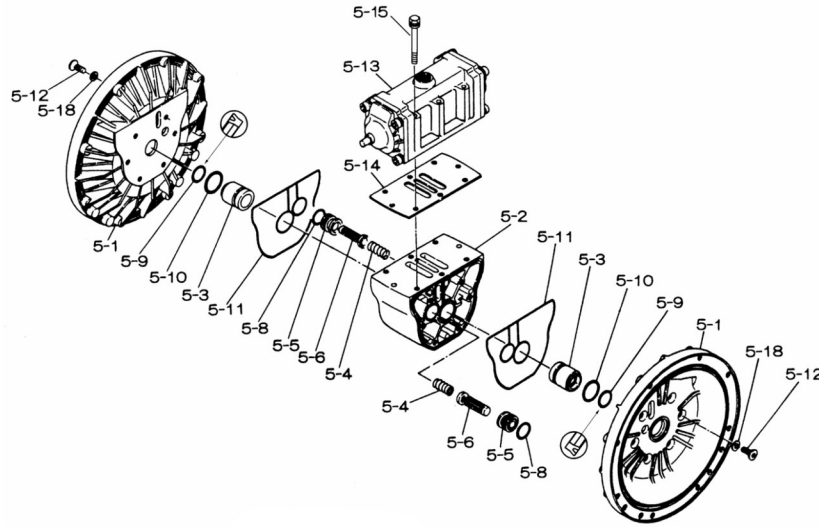
Cast Iron Series

Air Operated Double Diaphragm Pump

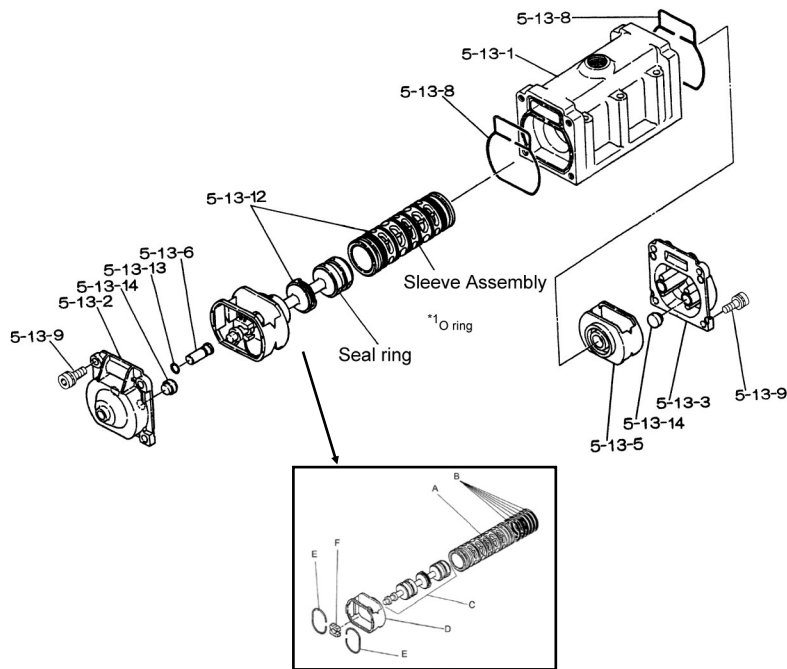
(rubber fitted)



■ Body Assembly



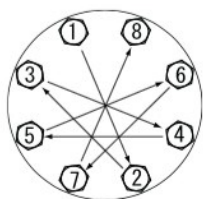
■ Valve Body Assembly



	NDP-40BFC	NDP-40BFE	NDP-40BFN	NDP-40BFH	NDP-40BFS	NDP-40BFV			
	852873	852874	852869	852870	852875	852872			
REF. NO.	PART NO.	PART NO.	PART NO.	PART NO.	PART NO.	PART NO.	DESCRIPTION	QTY.	REORDER
1	713156	713156	713156	713156	713156	713156	OUT CHAMBER 40FC	2	
2	713168	713168	713168	713168	713168	713168	IN MANIFOLD 40FC	1	
3	713165	713165	713165	713165	713165	713165	OUT MANIFOLD 40FC	1	
5	803111	803111	803111	803111	803111	803111	BODY ASSY.	1	
5- 1	711933	711933	711933	711933	711933	711933	AIR CHAMBER 40	2	
5- 2	711936	711936	711936	711936	711936	711936	BODY	1	
5- 3	780325	780325	780325	780325	780325	780325	THROAT BEARING	2	
5- 4	711937	711937	711937	711937	711937	711937	PILOT VALVE SPRING	2	
5- 5	771740	771740	771740	771740	771740	771740	PILOT VALVE SEAT	2	
5- 6	832162	832162	832162	832162	832162	832162	PILOT VALVE ASSY	2	
5- 8	640020	640020	640020	640020	640020	640020	O-RING	2	
5- 9	685444	685444	685444	685444	685444	685444	V-PACKING	2	
5-10	640029	640029	640029	640029	640029	640029	O-RING	2	
5-11	771742	771742	771742	771742	771742	771742	GASKET 40/50/80	2	
5-12	683812	683812	683812	683812	683812	683812	M8X1.25X20 FLAT SOCKET	12	
5-13	802971	802971	802971	802971	802971	802971	VALVE BODY ASSY.	1	
5-13- 1	711931	711931	711931	711931	711931	711931	VALVE BODY 40/50/80	1	
5-13- 2	580999	580999	580999	580999	580999	580999	CAP A 40/50/80	1	
5-13- 3	581000	581000	581000	581000	581000	581000	CAP B 40/50/80	1	
5-13- 5	771735	771735	771735	771735	771735	771735	SPRING RETAINER	1	
5-13- 6	712976	712976	712976	712976	712976	712976	RESET BUTTON	1	
5-13- 8	771738	771738	771738	771738	771738	771738	GASKET 40/50/80 SPOOL	2	
5-13- 9	685036	685036	685036	685036	685036	685036	SOCKET BOLT	8	
5-13-12	805084	805084	805084	805084	805084	805084	C SPOOL ASSY.	1	
A	803675	803675	803675	803675	803675	803675	SLEEVE ASSY.	1	
B	640036	640036	640036	640036	640036	640036	O-RING	6	
C	805085	805085	805085	805085	805085	805085	SPOOL ASSY.	1	
D	771735	771735	771735	771735	771735	771735	SPRING RETAINER	1	
E	711932	711932	711932	711932	711932	711932	C-SPRING	2	
F	771734	771734	771734	771734	771734	771734	BLOCK	1	
5-13-13	640005	640005	640005	640005	640005	640005	O-RING	1	
5-13-14	684128	684128	684128	684128	684128	684128	CUSHION	4	
5-14	771712	771712	771712	771712	771712	771712	GASKET FOR VALVE BODY	1	
5-15	684240	684240	684240	684240	684240	684240	BOLT W/WASHER	6	
5-18	684987	684987	684987	684987	684987	684987	WASHER	12	
7	711900	711900	711900	711900	711900	711900	CENTER ROD 40/50	1	
8	711902	711902	711902	711902	711902	711902	CENTER DISK 40-R	2	
9	713369	713369	713369	713369	713369	713369	CENTER DISK 40FC	2	
10	771853	771854	771700	771701	771975	771799	DIAPHRAGM 40	2	
11	771956	771921	771994	771793	772003	771997	VALVE SEAT 40	4	
12	770550	770593	770584	773142	773172	770602	BALL 40	4	

Air Operated Double Diaphragm Pump

REF. NO.	PART NO.	PART NO.	PART NO.	PART NO.	PART NO.	PART NO.	DESCRIPTION	QTY.	REORDER
	NDP-40BFC	NDP-40BFE	NDP-40BFN	NDP-40BFH	NDP-40BFS	NDP-40BFV			
	852873	852874	852869	852870	852875	852872			
14	686972	686972	686972	686972	686972	686972	BALL VALVE 1/2"	1	
15	682523	682523	682523	682523	682523	682523	ELBOW STRT 3/4" 90D	1	
16	684339	684339	684339	684339	684339	684339	BUSHING 40	1	
19	711911	711911	711911	711911	711911	711911	BASE 40	2	
20	771402	771402	771402	771402	771402	771402	FOOT RUBBER	4	
21	683408	683408	683408	683408	683408	706128	M16X1.50 NYLON NUT SS	2	
22	682740	682740	682740	682740	682740	682740	WASHER M16 SS CONICAL	2	
23	686160	686160	686160	686160	686160	686160	BOLT	16	
24	631014	631014	631014	631014	631014	631014	WASHER FLAT M10 ZINC	4	
25	631917	631917	631917	631917	631917	631917	WAVE WASHER	20	
26	611202	611202	611202	611202	611202	611202	BOLT	12	
27	631015	631015	631015	631015	631015	631015	FLAT WASHER	12	
28	631918	631918	631918	631918	631918	631918	WAVE WASHER	12	
29	627014	627014	627014	627014	627014	627014	NUT M12X1.75 CT ZINC	12	
33	611175	611175	611175	611175	611175	611175	BOLT	4	
34	627013	627013	627013	627013	627013	627013	NUT	4	
35	611149	611149	611149	611149	611149	611149	BOLT	4	
36	682276	682276	682276	682276	682276	682276	NUT W/FLANGE	4	
40	640065	683999	640065	640065	683999	642065	O-RING	4	
44	804764	804764	804764	804764	804764	804764	SILENCER ASSY	1	
51	770582	770582	770582	770582	770582	770582	CUSHION	2	
KIT	K40-MC	K40-ME	K40-MN	K40-MH	K40-MS	K40-MV	LIQUID END KIT		
KIT	K45-AM						AIR MOTOR KIT		



Tightening torque for center rod and out chambers.

Center Rod 43 ft-lbf {60 N-m}
Out Chambers 29 ft-lbf {40 N-m}

Tightening torque for manifold retainer bolts.
40BFC/N/E/H/S/V 18 ft-lbf {25 N-m}

General Tools:

- Socket wrenches - 13mm, 17mm, 19, mm 24mm
- Hexagonal box wrench - 5mm, 6mm
- Small crowbars - 2
- Open-end wrenches - 24mm
- Plastic hammer

Special Tools (sold separately):

- Sleeve remover (713180)

Miscellaneous:

- Assembly Oil - turbine oil none additional class 1 (equivalent to ISO VG32 grade)
- Nuts - M16 x 1.5
- Thread locker
- Urea grease grade (NLGI) No. 2

Customer Notes	
Model #:	_____
Description:	_____
Serial #:	_____
Date Installed:	_____
Department Location:	_____
Tag/Project:	_____