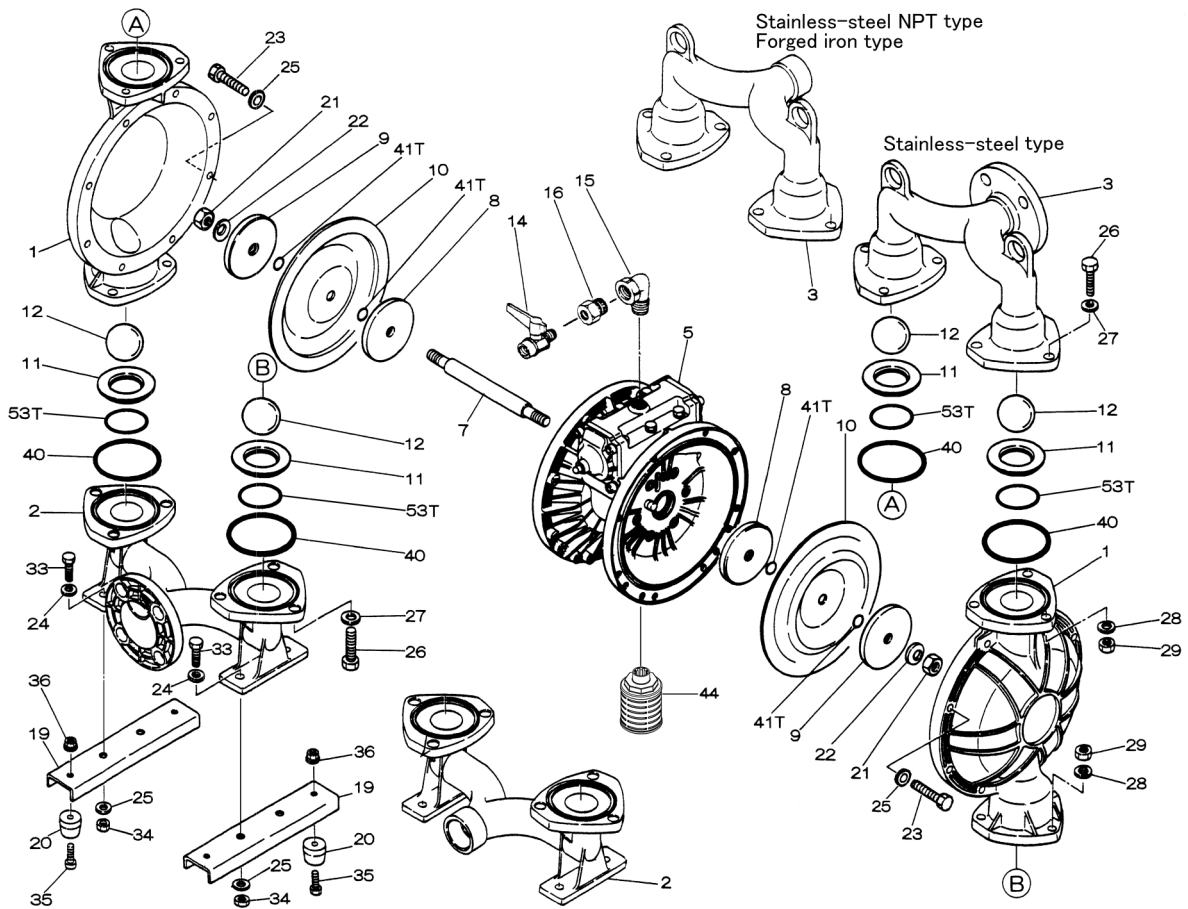
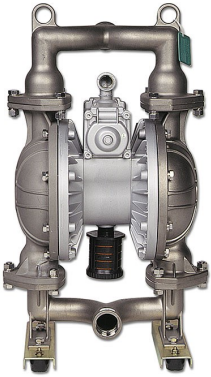
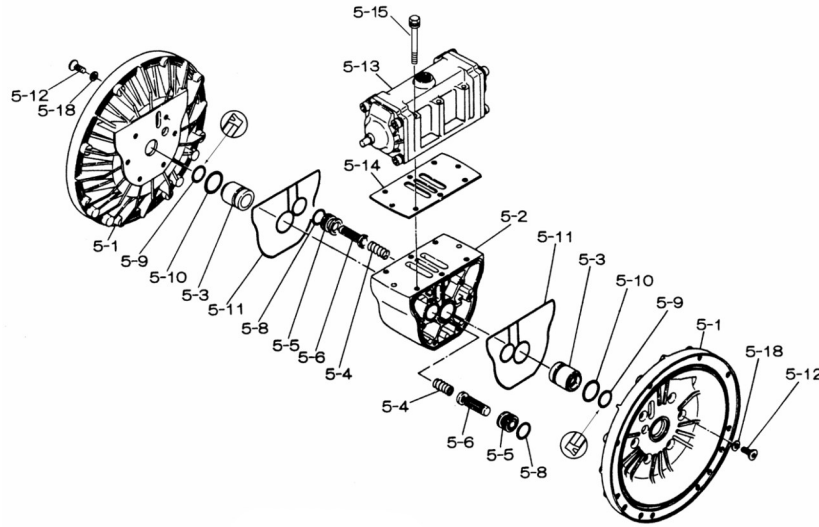


Air Operated Double Diaphragm Pump

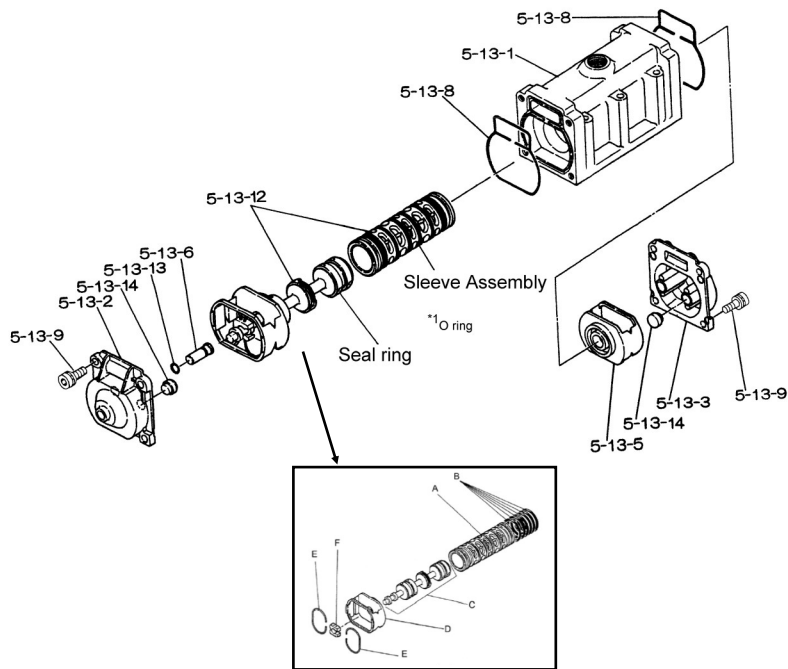


Air Operated Double Diaphragm Pump

■ Body Assembly



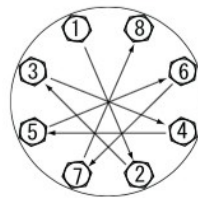
■ Valve Body Assembly



Air Operated Double Diaphragm Pump

REF. NO.	PART NO.	DESCRIPTION	QTY.	REORDER
1	713156	OUT CHAMBER 40FC	2	
2	713168	IN MANIFOLD 40FC	1	
3	713165	OUT MANIFOLD 40FC	1	
<b>5</b>	<b>803111</b>	<b>BODY ASSY.</b>	<b>1</b>	
5- 1	711933	AIR CHAMBER 40	2	
5- 2	711936	BODY	1	
5- 3	780325	THROAT BEARING	2	
5- 4	711937	PILOT VALVE SPRING	2	
5- 5	771740	PILOT VALVE SEAT	2	
5- 6	832162	PILOT VALVE ASSY	2	
5- 8	640020	O-RING	2	
5- 9	685444	V-PACKING 40/50/80	2	
5-10	640029	O-RING	2	
5-11	771742	GASKET 40/50/80	2	
5-12	683812	M8X1.25X20 FLAT SOCKET	12	
<b>5-13</b>	<b>802971</b>	<b>VALVE BODY ASSY</b>	<b>1</b>	
5-13- 1	711931	VALVE BODY	1	
5-13- 2	580999	CAP A 40/50/80	1	
5-13- 3	581000	CAP B 40/50/8	1	
5-13- 5	771735	SPRING RETAINER	1	
5-13- 6	712976	RESET BUTTON	1	
5-13- 8	771738	GASKET 40/50/80 SPOOL	2	
5-13- 9	685036	SOCKET BOLT M8X20 W/ W	8	
<b>5-13-12</b>	<b>805084</b>	<b>C SPOOL ASSY.</b>	<b>1</b>	
A	803675	SLEEVE ASSY.	1	
B	640036	O-RING	6	
C	805085	SPOOL ASSY.	1	
D	771735	SPRING RETAINER	1	
E	711932	C-SPRING	2	
F	771734	BLOCK	1	
5-13-13	640005	O-RING	1	
5-13-14	684128	CUSHION 40/50/80 CAP	4	
5-14	771712	GASKET FOR VALVE BODY	1	
5-15	684240	BOLT W/WASHER	6	
5-18	684987	WASHER	12	
7	711939	CENTER ROD 40/50T	1	
8	707817	CENTER DISK 40T INNER	2	
9	713389	CENTER DISK 40FC-T	2	
10	770814	DIAPHRAGM (PTFE) 40	2	
11	711908	VALVE SEAT 40SS	4	
12	770692	BALL 40T -50MM PTFE	4	
14	686972	BALL VALVE	1	
15	682523	ELBOW STRT 3/4" 90D	1	
16	684339	BUSHING 40	1	
19	711911	BASE 40	2	
20	771402	FOOT RUBBER	4	
21	706128	NUT	2	

REF. NO.	PART NO.	DESCRIPTION	QTY.	REORDER
22	682740	WASHER M16 SS CONICAL	2	
23	686160	BOLT	16	
24	631014	FLAT WASHER	4	
25	631917	WAVE WASHER	20	
26	611202	BOLT	12	
27	631015	FLAT WASHER	12	
28	631918	WAVE WASHER	12	
29	627014	NUT	12	
33	611175	BOLT	4	
34	627013	NUT	4	
35	611149	BOLT	4	
36	682276	NUT W/FLANGE	4	
40	643065	O-RING	4	
41T	643015	O-RING	4	
44	804764	SILENCER ASSY	1	
53T	643136	O-RING	4	
KIT	K40-MT	LIQUID END KIT		
KIT	K45-AM	AIR MOTOR KIT		



**Tightening torque for center rod and out chambers.**

Center Rod 43 ft-lbf {60 N-m}  
Out Chambers 29 ft-lbf {40 N-m}

**Tightening torque for manifold retainer bolts.**  
40BFT 18 ft-lbf {25 N-m}

**General Tools:**

- Socket wrenches - 13mm, 17mm, 19, mm 24mm
- Hexagonal box wrench - 5mm, 6mm
- Small crowbars - 2
- Open-end wrenches - 24mm
- Plastic hammer

**Special Tools (sold separately):**

- Sleeve remover (713180)

**Miscellaneous:**

- Assembly Oil - turbine oil none additional class 1 (equivalent to ISO VG32 grade)
- Nuts - M16 x 1.5
- Thread locker
- Urea grease grade (NLGI) No. 2

Customer Notes	
Model #:	_____
Description:	_____
Serial #:	_____
Date Installed:	_____
Department Location:	_____
Tag/Project:	_____