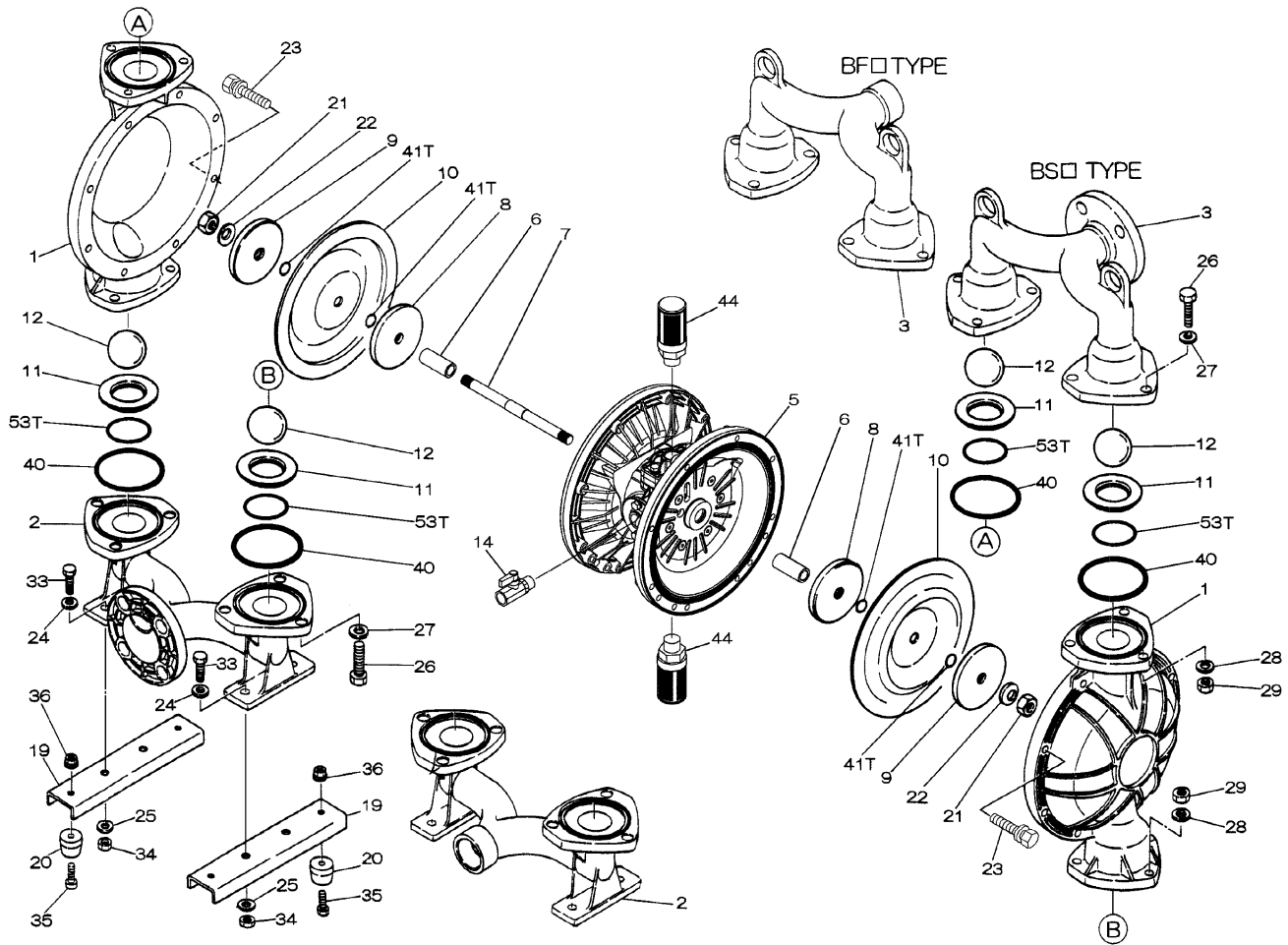


Air Operated Double Diaphragm Pump

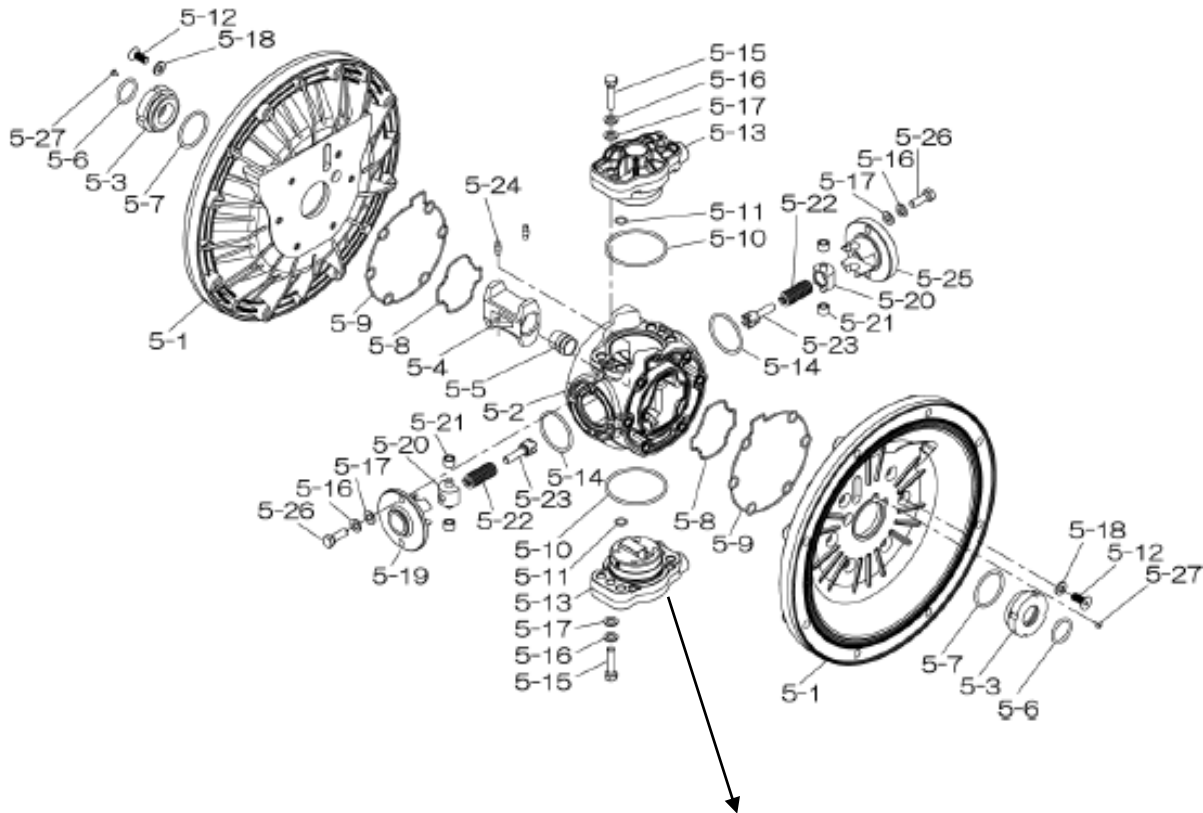


Trial Program

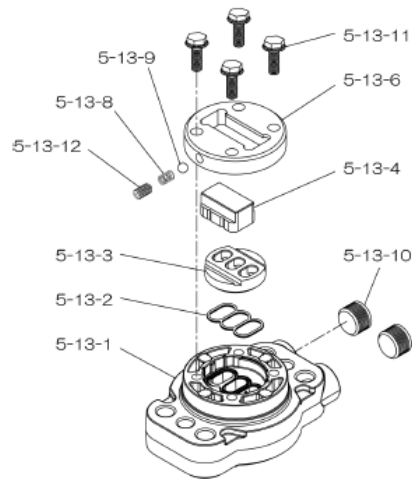


Air Operated Double Diaphragm Pump

804853 Center Body Assembly



804784 Valve Body Assembly

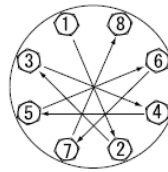


Air Operated Double Diaphragm Pump

| REF. No. | PARTS No. | DESCRIPTION | QTY. | REORDER |
|----------|-----------|----------------------------|------|---------|
| 1 | 713157 | OUT CHAMBER NDP-50FC | 2 | |
| 2 | 713169 | IN MANIFOLD 50FC FLANGE | 1 | |
| 3 | 713166 | OUT MANIFOLD 50FC FLANGE | 1 | |
| 5 | 804853 | CENTER BODY ASSY DP-50T-HD | 1 | |
| 5- 1 | 716247 | AIR CHAMBER | 2 | |
| 5- 2 | 716256 | BODY | 1 | |
| 5- 3 | 773095 | THROAT BEARING | 2 | |
| 5- 4 | 716214 | SHUTTLE (CS) | 1 | |
| 5- 5 | 773047 | CENTER ROD GUIDE | 1 | |
| 5- 6 | 640023 | O RING 24.6MM X 3.6MM | 2 | |
| 5- 7 | 640133 | O RING | 2 | |
| 5- 8 | 773040 | GASKET | 2 | |
| 5- 9 | 773041 | GASKET | 2 | |
| 5-10 | 640138 | O RING (64.5X3.0MM) | 2 | |
| 5-11 | 640007 | O RING 9.5MM X 2.0MM | 8 | |
| 5-12 | 683812 | M8X1.25X20 FLAT SOCKET | 12 | |
| 5-13 | 804784 | VALVE BODY ASSY | 2 | |
| 5-13- 1 | 715244 | VALVE BODY(H40.50.80) | 1 | |
| 5-13- 2 | 773042 | GASKET | 1 | |
| 5-13- 3 | 716246 | SEAT (CS) | 1 | |
| 5-13- 4 | 773425 | BLOCK | 1 | |
| 5-13- 6 | 773426 | GUIDE PLATE | 1 | |
| 5-13- 8 | 706612 | SPRING INK | 1 | |
| 5-13- 9 | 686271 | BALL | 1 | |
| 5-13-10 | 772934 | PLUG 20/25-PP | 2 | |
| 5-13-11 | 602300 | TAPPING BOLT M6X1X16 | 4 | |
| 5-13-12 | 610025 | HEX. SOCKET HEAD SCREW | 1 | |
| 5-14 | 640134 | O RING 44.5MM X 3MM | 2 | |
| 5-15 | 611153 | BOLT M8X1.25X35 HEX FT | 4 | |
| 5-16 | 631420 | SPRING WASHER M8 ZINC | 8 | |
| 5-17 | 631013 | WASHER FLAT M8 ZINC DI | 8 | |
| 5-18 | 684987 | WASHER 40/50/80 NEW | 12 | |
| 5-19 | 716249 | RETAINER | 1 | |
| 5-20 | 713620 | SPRING GUIDE | 2 | |
| 5-21 | 773067 | BUSH | 4 | |
| 5-22 | 684537 | SPRING | 2 | |
| 5-23 | 714446 | TRIP ARM | 2 | |
| 5-24 | 700231 | PIN | 2 | |
| 5-25 | 716216 | RETAINER | 1 | |
| 5-26 | 611149 | BOLT M8X1.25X25 FT ZIN | 4 | |
| 5-27 | 686337 | TAPPING SCREW | 2 | |

| | | | | |
|-----|--------------|------------------------|----|--|
| 6 | 716399 | CENTER BUSH(H4050) | 2 | |
| 7 | 716404 | CENTER ROD(H4050) | 1 | |
| 8T | 707822 | CENTER DISK 50T INNER | 2 | |
| 9 | 707823 | CENTER DISK | 2 | |
| 10 | 770815 | DIAPHRAGM (PTFE) 50 | 2 | |
| 11 | 711909 | VALVE SEAT 50AL | 4 | |
| 12 | 770693 | BALL 50T -63MM PTFE | 4 | |
| 14 | 684322 | BALL VALVE 50/80 3/4" | 1 | |
| 19 | 711928 | BASE 50 | 2 | |
| 20 | 771402 | FOOT RUBBER 40/50/80&2 | 4 | |
| 21 | 706128 | NUT M16X1.50 SS | 2 | |
| 22 | 682740 | WASHER M16 SS CONICAL | 2 | |
| 23 | 686044 | BOLT | 16 | |
| 24 | 631174 | WASHER FLAT M10 ZINC | 4 | |
| 25 | 631937 | WAVE WASHER M10 | 20 | |
| 26 | 621202 | BOLT M12X1.75X50 ZINC | 12 | |
| 27 | 631175 | WASHER FLAT M12 ZINC D | 12 | |
| 28 | 631938 | WAVE WASHER | 12 | |
| 29 | 628014 | NUT M12X1.75 CT ZINC | 12 | |
| 33 | 621175 | BOLT M10 X 30 FT ZY | 4 | |
| 34 | 628013 | NUT M10 X 1.5 ZINC DIN | 4 | |
| 35 | 611149 | BOLT M8X1.25X25 FT ZIN | 4 | |
| 36 | 682273 | NUT W/ FLANGE M8 X 1.2 | 4 | |
| 40 | 643069 | O RING 103 X6 M PTFE | 4 | |
| 41T | 643015 | O RING 15.8MM X 2.4MM | 4 | |
| 44 | 804697 | MUFFLER 20/25PP NEW | 2 | |
| 53T | 643139 | O RING PTFE | 4 | |
| KIT | K50-MT | LIQUID SIDE | | |
| KIT | K45-AM-DP-HD | AIR MOTOR | | |

Torque Requirements:



Tightening torque for center rod and out chambers.
Center Rod 43 ft-lbf {60 N-m}
Out Chambers 29 ft-lbf {40 N-m}

Tightening torque for manifold retainer bolts.
BFT 18 ft-lbf {25 N-m}

General Tools:

- Socket wrench - 24mm
- Hexagonal box wrench - 5mm, 6mm
- Open-end wrenches - 19mm, 24mm
- Phillips head screw driver

Special Tools:

- Socket (804129) for a guide to remove the throat bearing (sold separately)

Miscellaneous:

- Assembly Oil - Turbine oil none additional class 1 (equivalent to ISA VGA32 grade)
- Nuts - M16 x 1.5
- Thread locker
- Urea grease grade (NLGI) No. 2, Shell Alvania Grease S1

Customer Notes

Model #: _____
Description: _____
Serial #: _____
Date Installed: _____
Department Location: _____
Tag/Project: _____