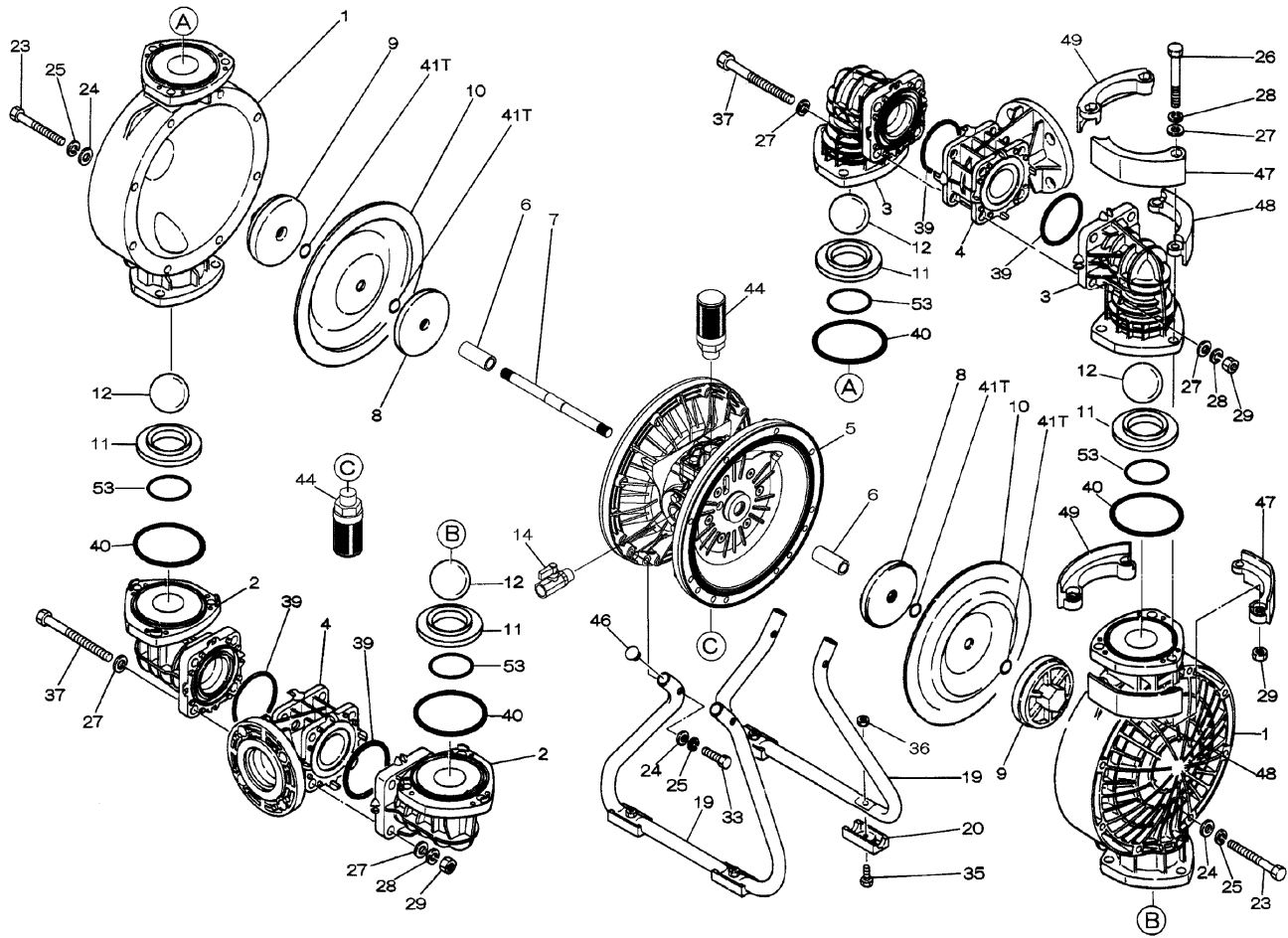


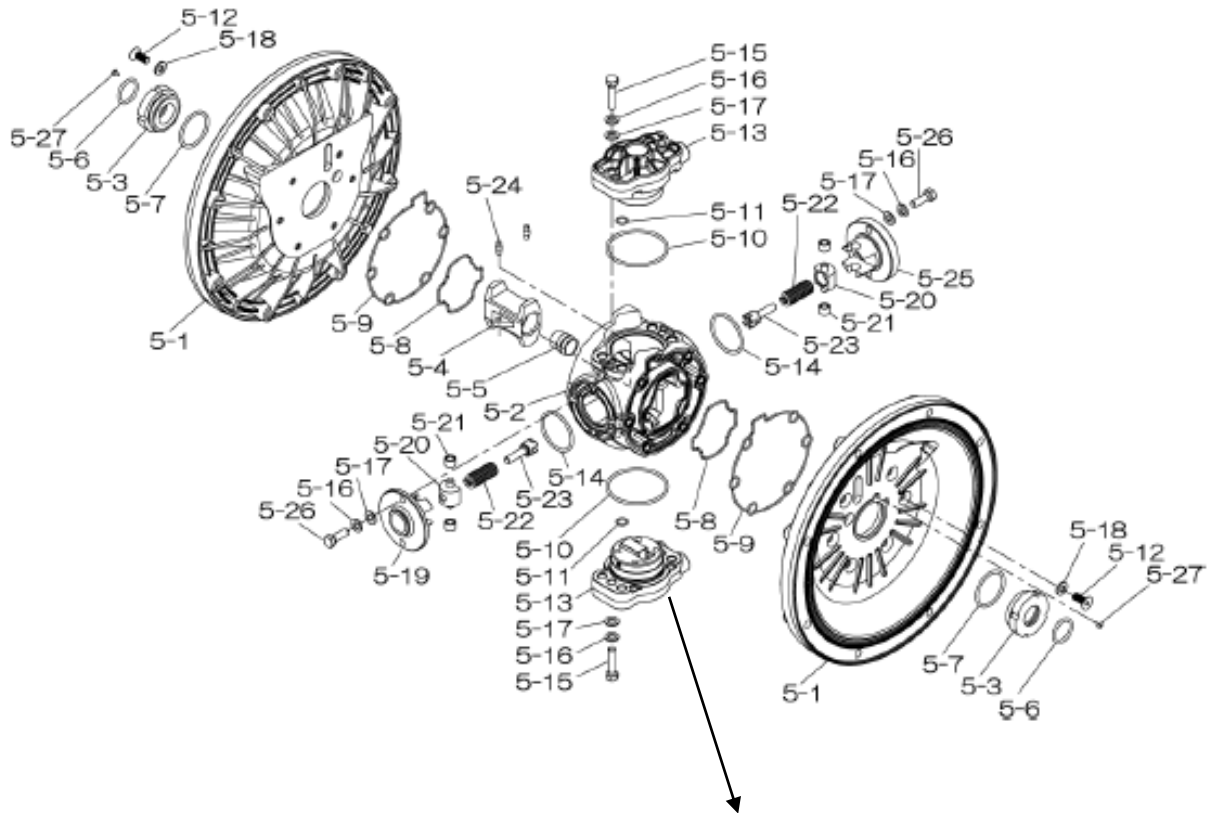
Air Operated Double Diaphragm Pump

Trial Program

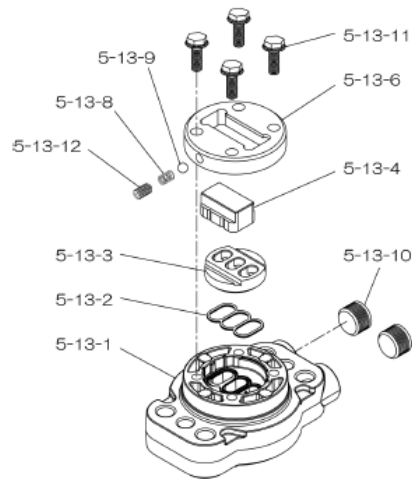


Air Operated Double Diaphragm Pump

804853 Center Body Assembly



804784 Valve Body Assembly

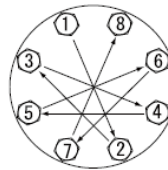


Air Operated Double Diaphragm Pump

REF. No.	PARTS No.	DESCRIPTION	QTY.	REORDER
1	780153	OUT CHAMBER 50PVDF	2	
2	780252	IN MANIFOLD 50PVDF	2	
3	780154	OUT MANIFOLD 50PVDF	2	
4	780115	CENTER MANIFOLD 50PVDF	2	
5	804853	CENTER BODY ASSY DP-50-HD	1	
5- 1	716247	AIR CHAMBER	2	
5- 2	716256	BODY	1	
5- 3	773095	THROAT BEARING	2	
5- 4	716214	SHUTTLE (CS)	1	
5- 5	773047	CENTER ROD GUIDE	1	
5- 6	640023	O RING 24.6MM X 3.6MM	2	
5- 7	640133	O RING	2	
5- 8	773040	GASKET	2	
5- 9	773041	GASKET	2	
5-10	640138	O RING (64.5X3.0MM)	2	
5-11	640007	O RING 9.5MM X 2.0MM	8	
5-12	683812	M8X1.25X20 FLAT SOCKET	12	
5-13	804784	VALVE BODY ASSY	2	
5-13- 1	715244	VALVE BODY(H40.50.80)	1	
5-13- 2	773042	GASKET	1	
5-13- 3	716246	SEAT (CS)	1	
5-13- 4	773425	BLOCK	1	
5-13- 6	773426	GUIDE PLATE	1	
5-13- 8	706612	SPRING	1	
5-13- 9	686271	BALL	1	
5-13-10	772934	PLUG	2	
5-13-11	602300	TAPPING BOLT M6X1X16	4	
5-13-12	610025	HEX. SOCKET HEAD SCREW	1	
5-14	640134	O RING 44.5MM X 3MM	2	
5-15	611153	BOLT M8X1.25X35 HEX FT	4	
5-16	631420	SPRING WASHER M8 ZINC	8	
5-17	631013	WASHER FLAT M8 ZINC DI	8	
5-18	684987	WASHER 40/50/80 NEW	12	
5-19	716249	RETAINER	1	
5-20	713620	SPRING GUIDE	2	
5-21	773067	BUSH	4	
5-22	684537	SPRING	2	
5-23	714446	TRIP ARM	2	
5-24	700231	PIN	2	
5-25	716216	RETAINER	1	
5-26	611149	BOLT M8X1.25X25 FT ZIN	4	
5-27	686337	TAPPING SCREW	2	

REF. No.	PARTS No.	DESCRIPTION	QTY.	REORDER
6	716399	CENTER BUSH	2	
7	716404	CENTER ROD	1	
8	707822	CENTER DISK 50-R	2	
9	780116	CENTER DISK 50-R	2	
10	770815	DIAPHRAGM 50	2	
11	772100	VALVE SEAT 50-2	4	
12	770693	BALL 50 -63MM	4	
14	684322	BALL VALVE 50/80 3/4"	1	
19	711926	STAND 50	2	
20	771865	FOOT RUBBER 40/50/80	4	
23	686156	BOLT M10X1.5X105 HEX	16	
24	631330	WASHER FLAT M10 SS	24	
25	680257	SPRING WASHER M10 SS D	24	
26	621213	BOLT M12X1.75X100 HEX	12	
27	631331	WASHER M12 SS FLAT	28	
28	680607	SPRING WASHER M12 SS	20	
29	628014	NUT M12X1.75 CT SS DIN	20	
33	621179	BOLT M10X1.5X40 HEX FT	8	
35	621149	BOLT M8X1.25X25 HET FT	4	
36	683837	NUT W/ FLANGE M8 X 1.2	4	
37	684592	BOLT M12 X 137 HEX HEA	8	
39	771899	O RING 84.3MM X 5.7MM	4	
40	772063	O RING 104.3MM X 5.7MM	4	
41T	643015	O RING	4	
44	804697	MUFFLER	2	
46	683641	CAP 40/50/80 STAND	4	
47	771786	PROTECTOR A 50PP&PVDF	8	
48	771787	PROTECTOR B 50PP&PVDF	8	
49	771788	PROTECTOR C 50PP&PVDF	8	
53	643139	O RING 69MM X 3MM B70	4	
KIT	K50-VT	LIQUID SIDE		
KIT	K45-AM-DP-HD	AIR MOTOR		

Torque Requirements:



Tightening torque for center rod and out chambers.
Center Rod 36 ft-lbf {50 N-m}
Out Chambers 26 ft-lbf {35 N-m}

Tightening torque for manifold retainer bolts.
BVT 18 ft-lbf {25 N-m}

General Tools:

- Socket wrench - 13mm, 17mm, 19mm
- Hexagonal box wrench - 5mm, 6mm
- Phillips head screw driver

Special Tools:

- PP wrench (771868) for removing the center disk
- Socket (804129) for a guide to remove the throat bearing (sold separately)

Miscellaneous:

- Assembly Oil - Turbine oil none additional class 1 (equivalent to ISA VGA32 grade)
- Nuts - M16 x 1.5
- Thread locker
- Urea grease grade (NLGI) No. 2, Shell Alvania Grease S1

Customer Notes

Model #: _____
Description: _____
Serial #: _____
Date Installed: _____
Department Location: _____
Tag/Project: _____