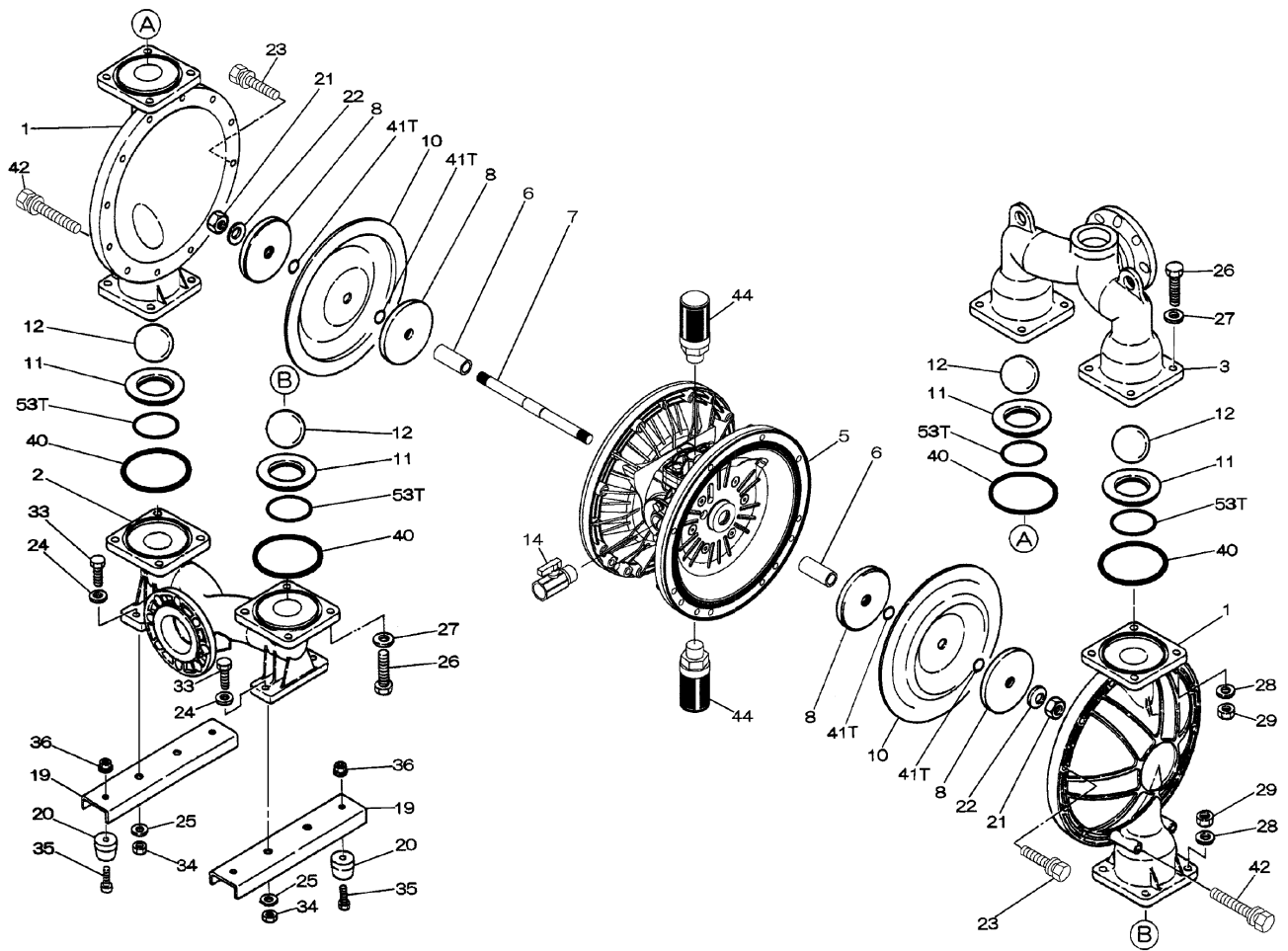


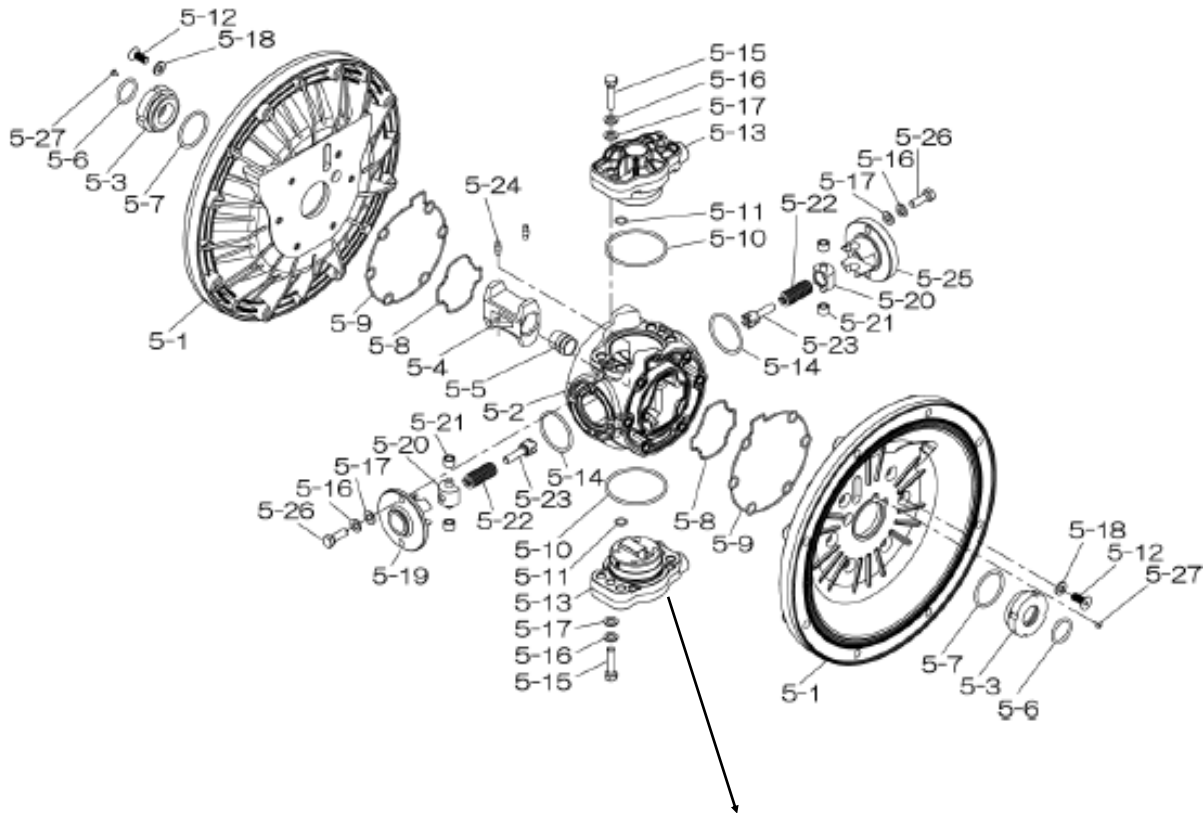
Air Operated Double Diaphragm Pump

Trial Program

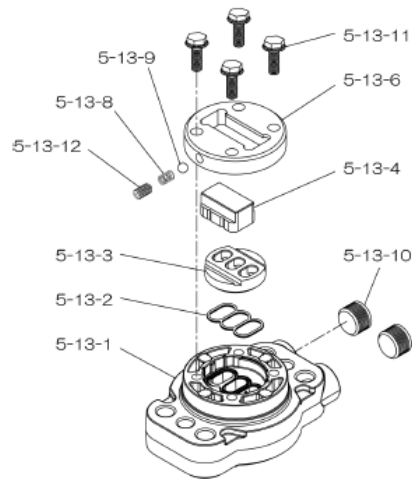


Air Operated Double Diaphragm Pump

804850 Center Body Assembly



804784 Valve Body Assembly

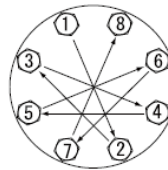


Air Operated Double Diaphragm Pump

REF. No.	PARTS No.	DESCRIPTION	QTY.	REORDER
1	580962	OUT CHAMBER	2	
2	714371	IN MANIFOLD 80AL N	1	
3	714365	OUT MANIFOLD 80AL	1	
5	804780	CENTER BODY ASSY DP-80-HD	1	
5- 1	716248	AIR CHAMBER	2	
5- 2	716256	BODY	1	
5- 3	773066	THROAT BEARING	2	
5- 4	716214	SHUTTLE (CS)	1	
5- 5	773047	CENTER ROD GUIDE	1	
5- 6	640023	O RING 24.6MM X 3.6MM	2	
5- 7	640133	O RING	2	
5- 8	773040	GASKET	2	
5- 9	773041	GASKET	2	
5-10	640138	O RING (64.5X3.0MM)	2	
5-11	640007	O RING 9.5MM X 2.0MM	8	
5-12	683812	M8X1.25X20 FLAT SOCKET	12	
5-13	804784	VALVE BODY ASSY	2	
5-13- 1	716244	VALVE BODY(H40.50.80)	1	
5-13- 2	773042	GASKET	1	
5-13- 3	716246	SEAT (CS)	1	
5-13- 4	773425	BLOCK	1	
5-13- 6	773426	GUIDE PLATE	1	
5-13- 8	706612	SPRING INK	1	
5-13- 9	686271	BALL	1	
5-13-10	772934	PLUG 20/25-PP	2	
5-13-11	602300	TAPPING BOLT M6X1X16	4	
5-13-12	610025	HEX. SOCKET HEAD SCREW	1	
5-14	640134	O RING 44.5MM X 3MM	2	
5-15	611153	BOLT M8X1.25X35 HEX FT	4	
5-16	631420	SPRING WASHER M8 ZINC	8	
5-17	631013	WASHER FLAT M8 ZINC DI	8	
5-18	684987	WASHER 40/50/80 NEW	12	
5-19	716249	RETAINER	1	
5-20	713620	SPRING GUIDE	2	
5-21	773067	BUSH	4	
5-22	686303	SPRING	2	
5-23	714446	TRIP ARM	2	
5-24	700231	PIN	2	
5-25	716216	RETAINER	1	
5-26	611149	BOLT M8X1.25X25 FT ZIN	4	
5-27	686337	TAPPING SCREW	2	
6T	716255	CENTER BUSHING DP-80T-HD	2	

REF. No.	PARTS No.	DESCRIPTION	QTY.	REORDER
7T	716254	CENTER ROD DP-80T-HD	1	
8T	711041	CENTER DISK 75/80-T	2	
9T	711039	CENTER DISK 75/80SS-T	2	
10	770934	DIAPHRAGM (PTFE) 80	2	
11	771910	PUSH BUTTON	4	
12	770694	BALL 80T -90MM PTFE	4	
14	684322	BALL VALVE 50/80 3/4"	1	
19	711912	BASE 80	2	
20	771402	FOOT RUBBER 40/50/80&2	4	
21	706144	NUT M16X1.50 SS	2	
22	682740	WASHER M16 SS CONICAL	2	
23	621182	BOLT M10 SS	20	
24	631174	WASHER FLAT M10 SS DIN	4	
25	631937	WAVE WASHER	28	
26	621203	BOLT M12X1.75X50 HEX P	16	
27	631175	WASHER FLAT M12 SS DIN	16	
28	631938	WAVE WASHER	16	
29	628014	NUT M12X1.75 CT SS DIN	16	
33	621177	BOLT M10X150X35 HEX FT	4	
34	628013	NUT M10X1.5 CT SS	4	
35	611149	BOLT M8X1.25X25 FT ZIN	4	
36	682276	NUT W/ FLANGE M8 X 1.2	4	
40	643078	O RING 139.6MM X 5.7MM	4	
41T	643015	O RING 15.8MM X 2.4MM	4	
42	683543	BOLT M10X1.50X130 HEX	4	
44	804697	MUFFLER 20/25PP NEW	2	
53T	643145	O RING 99.4MM X 3.1MM	4	
KIT	K80-MT	LIQUID SIDE		
KIT	K80-AM-DP-HD	AIR MOTOR		

Torque Requirements:



**Tightening torque for center rod and out chambers.**  
Center Rod 43 ft-lbf {60 N-m}  
Out Chambers 29 ft-lbf {40 N-m}

**Tightening torque for manifold retainer bolts.**  
BAT 18 ft-lbf {25 N-m}

General Tools:

- Socket wrench - 24mm
- Hexagonal box wrench - 5mm, 6mm
- Open-end wrenches - 19mm, 24mm
- Phillips head screw driver

Special Tools:

- Socket (804129) for a guide to remove the throat bearing (sold separately)

Miscellaneous:

- Assembly Oil - Turbine oil none additional class 1 (equivalent to ISA VGA32 grade)
- Nuts - M16 x 1.5
- Thread locker
- Urea grease grade (NLGI) No. 2, Shell Alvania Grease S1

Customer Notes

Model #: \_\_\_\_\_  
Description: \_\_\_\_\_  
Serial #: \_\_\_\_\_  
Date Installed: \_\_\_\_\_  
Department Location: \_\_\_\_\_  
Tag/Project: \_\_\_\_\_