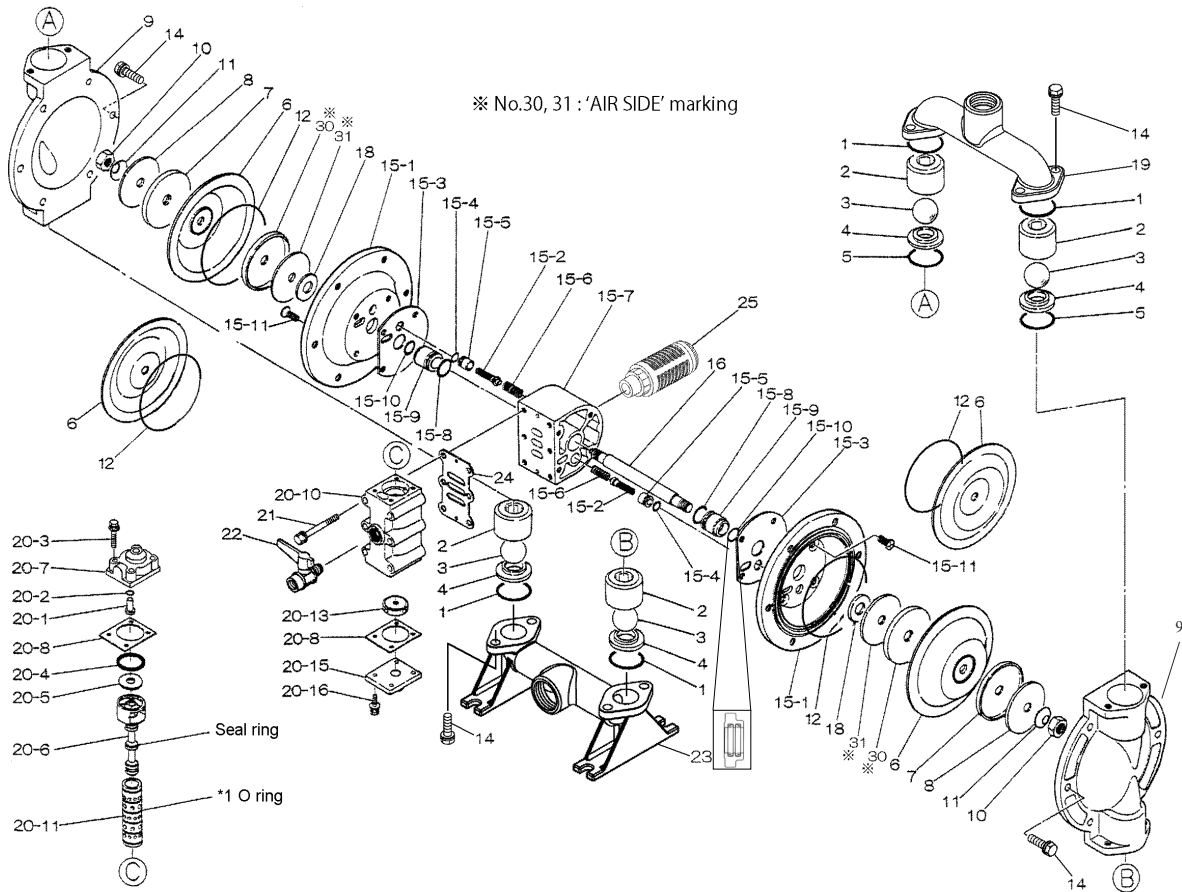
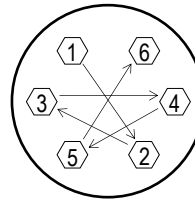


Air Operated Double Diaphragm Pump



Air Operated Double Diaphragm Pump

REF. NO.	PART NO.	DESCRIPTION	QTY.	REORDER
1	640044	O RING	4	
2	711702	BALL GUIDE	4	
3	770581	BALL 25	4	
4	590087	VALVE SEAT	4	
5	640134	O RING	2	
6	772962	DIAPHRAGM	2	
7	709151	CENTER DISK (LIQUID SIDE)	2	
8	709150	WASHER (LIQUID SIDE)	2	
9	711687	OUT CHAMBER	2	
10	682263	NUT	2	
11	682730	CONED DISK SPRING	2	
14	611177	BOLT	20	
14	631917	WAVE WASHER	20	
15	804880	BODY ASSY.	1	
15-1	715939	AIR CHAMBER	2	
15-2	802360	PILOT VALVE ASSY.	2	
15-3	771057	GASKET	2	
15-4	640009	O RING	2	
15-5	771945	VALVE SEAT	2	
15-6	708666	SPRING	2	
15-7	709812	BODY	1	
15-8	685276	O RING	2	
15-9	780324	THROAT BEARING	2	
15-10	685414	V-PACKING	2	
15-11	682486	FLAT HEAD BOLT	8	
16	709162	CENTER ROD	1	
18	771054	CUSHION	2	
19	716373	MANIFOLD	1	
20	802362	VALVE BODY ASSY.	1	
20-1	709161	RESET BUTTON	1	
20-2	640005	O RING	1	
20-3	682704	BOLT	4	
20-4	771241	PACKING	1	
20-5	715961	PLAIN WASHER	1	
20-6	802400	C SPOOL VALVE ASSY.	1	
20-6 seal	771053	SEAL RING	5	
20-7	710221	CAP A	1	
20-8	771240	GASKET	2	
20-10	711639	VALVE BODY	1	
20-11	803931	SLEEVE ASSY.	1	
20-11-*1	771080	O RING	6	
20-13	771914	CUSHION	1	
20-15	709305	CAP B	1	
20-16	682262	BOLT	4	
21	682265	BOLT	6	
22	686970	BALL VALVE	1	
23	716374	MANIFOLD	1	
24	771056	GASKET	1	
25	804697	SILENCER	1	
30	716258	CENTER DISK (AIR SIDE)	2	
31	716259	WASHER (AIR SIDE)	2	
KIT	K32-MN	LIQUID END KIT		
KIT	K32-AM	AIR MOTOR KIT		



**Tightening torque for center rod and out chambers.**

Center Rod 29 ft-lbf {40 N-m}  
Out Chambers 8 ft-lbf {10 N-m}

**Tightening torque for manifold retainer bolts.**  
32BAN 8 ft-lbf {10 N-m}

**General Tools:**

- Socket wrenches - 10mm, 12mm, 13mm, 17mm, 22mm
- Hexagonal box wrench - 5mm
- Open-end wrenches - 22mm

**Miscellaneous:**

- Assembly Oil - turbine oil none additional class 1 (equivalent to ISO VG32 grade)
- Nuts - M14 x 1.5
- Urea grease grade (NLGI) No. 2
- Lubricants equivalent to Loctite anti-seize 767

**Customer Notes**

Model #: \_\_\_\_\_  
Description: \_\_\_\_\_  
Serial #: \_\_\_\_\_  
Date Installed: \_\_\_\_\_  
Department Location: \_\_\_\_\_  
Tag/Project: \_\_\_\_\_