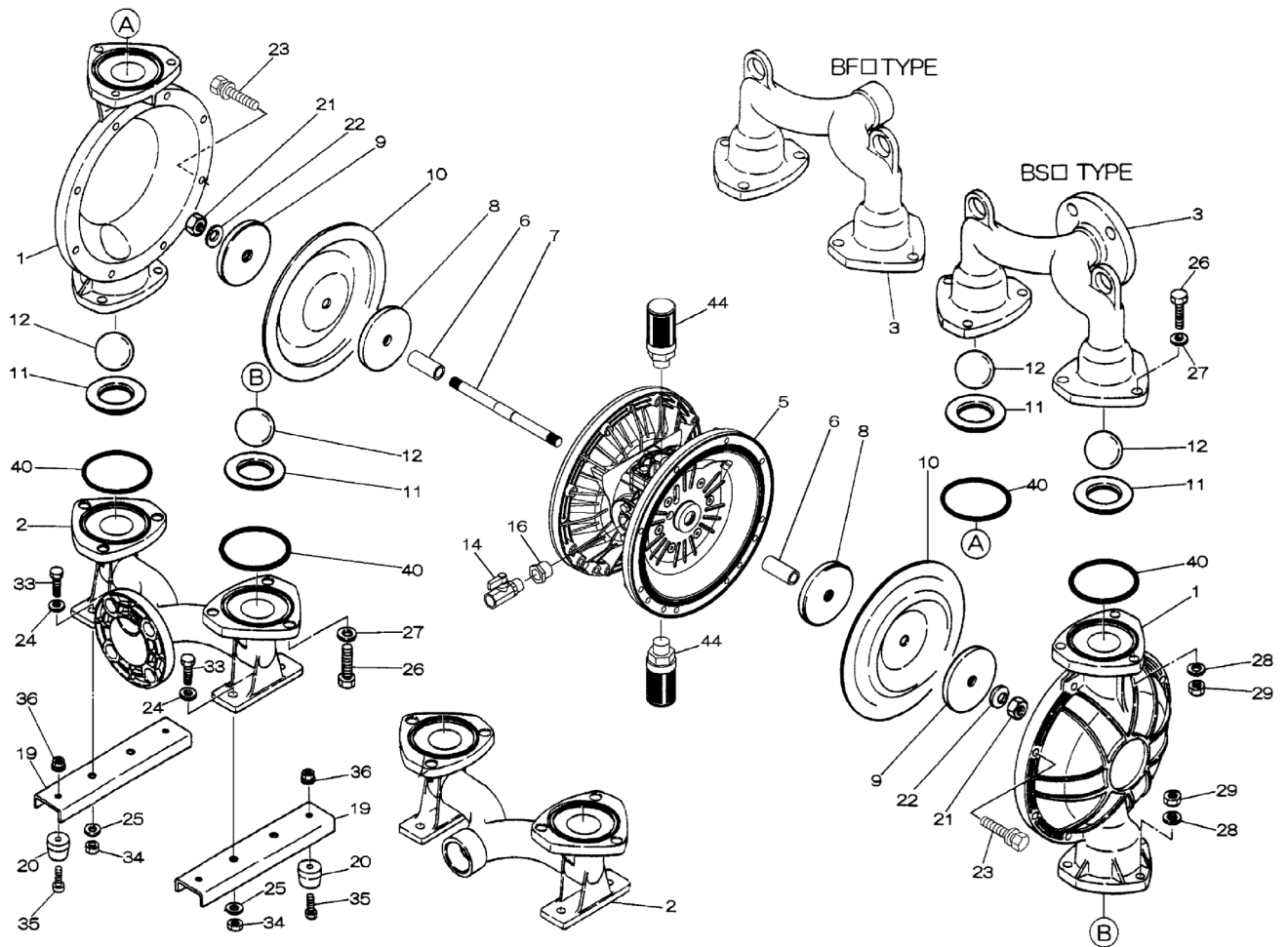


Air Operated Double Diaphragm Pump

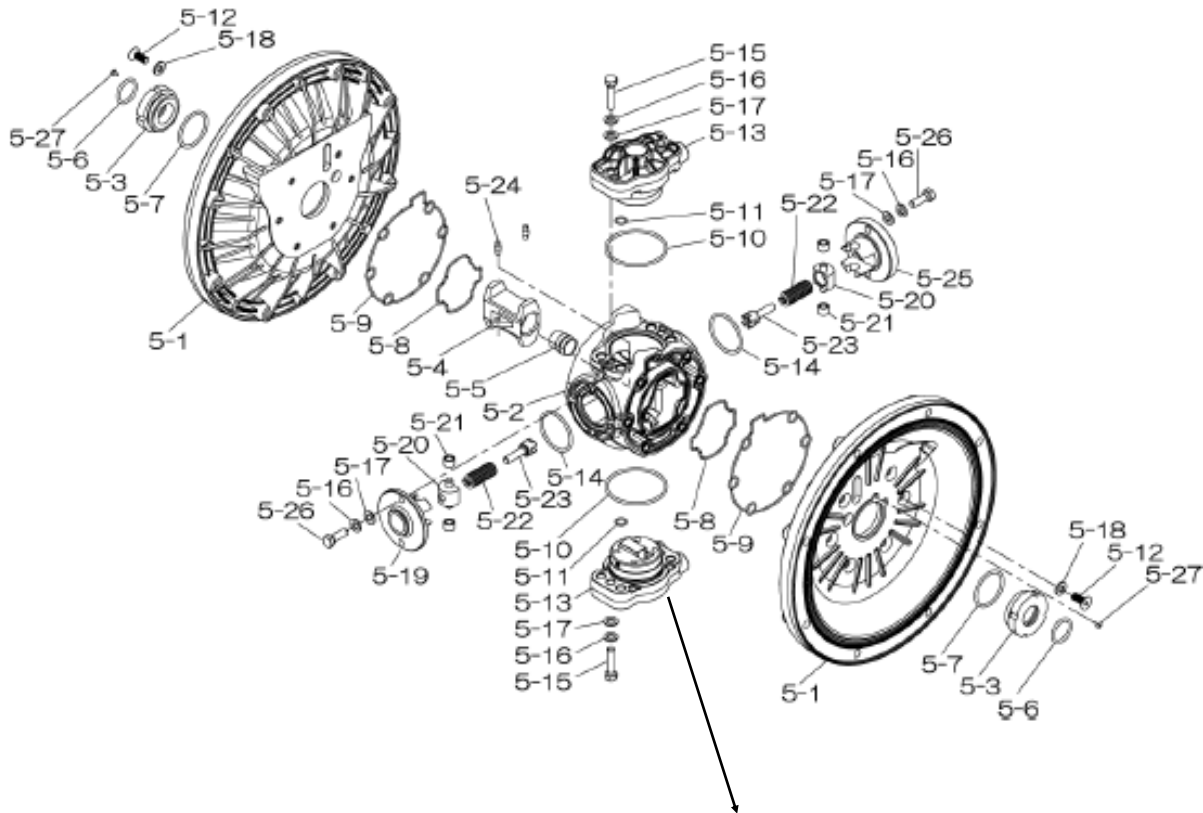


Trial Program

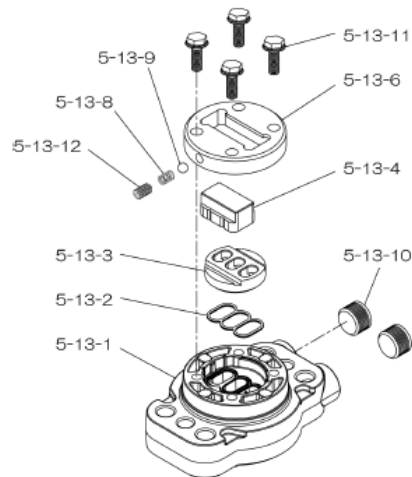


Air Operated Double Diaphragm Pump

804770 Center Body Assembly



804784 Valve Body Assembly



Air Operated Double Diaphragm Pump

| | DP-40BSN-HD | DP-40BSS-HD | DP-40BSC-HD | DP-40BSE-HD | DP-40BSH-HD | DP-40BSV-HD | | | |
|---------|-------------|-------------|-------------|-------------|-------------|-------------|---------------------------|------|---------|
| NPT | 854364 | 854369 | 854363 | 854365 | 854368 | 854366 | **NPT PUMPS** | | |
| FLANGE. | 854357 | 854362 | 854356 | 854358 | 854361 | 854359 | **FLANGE PUMPS** | | |
| REF NO. | PARTS NO. | PARTS NO. | PARTS NO. | PARTS NO. | PARTS NO. | PARTS NO. | DESCRIPTION | QTY. | REORDER |
| 1 | 712931 | 712931 | 712931 | 712931 | 712931 | 712931 | OUT CHAMBER | 2 | |
| 2 | 712599 | 712599 | 712599 | 712599 | 712599 | 712599 | IN MANIFOLD 40SS FLANG | 1 | |
| 2 | 712601 | 712601 | 712601 | 712601 | 712601 | 712601 | IN MANIFOLD 40SS NPT | 1 | |
| 3 | 712598 | 712598 | 712598 | 712598 | 712598 | 712598 | OUT MANIFOLD 40SS FLANGE | 1 | |
| 3 | 712600 | 712600 | 712600 | 712600 | 712600 | 712600 | OUT MANIFOLD 40SS NPT | 1 | |
| 5 | 804770 | 804770 | 804770 | 804770 | 804770 | 804770 | CENTER BODY ASSY DP-40-HD | 1 | |
| 5-1 | 716215 | 716215 | 716215 | 716215 | 716215 | 716215 | AIR CHAMBER | 2 | |
| 5-2 | 716256 | 716256 | 716256 | 716256 | 716256 | 716256 | BODY | 1 | |
| 5-3 | 773048 | 773048 | 773048 | 773048 | 773048 | 773048 | THROAT BEARING | 1 | |
| 5-4 | 716214 | 716214 | 716214 | 716214 | 716214 | 716214 | SHUTTLE (CS) | 2 | |
| 5-5 | 773047 | 773047 | 773047 | 773047 | 773047 | 773047 | CENTER ROD GUIDE | 2 | |
| 5-6 | 640023 | 640023 | 640023 | 640023 | 640023 | 640023 | O RING 24.6MM X 3.6MM | 2 | |
| 5-7 | 640133 | 640133 | 640133 | 640133 | 640133 | 640133 | O RING | 2 | |
| 5-8 | 773040 | 773040 | 773040 | 773040 | 773040 | 773040 | GASKET | 2 | |
| 5-9 | 773041 | 773041 | 773041 | 773041 | 773041 | 773041 | GASKET | 8 | |
| 5-10 | 640138 | 640138 | 640138 | 640138 | 640138 | 640138 | O RING (64.5X3.0MM) | 12 | |
| 5-11 | 640007 | 640007 | 640007 | 640007 | 640007 | 640007 | O RING 9.5MM X 2.0MM | 2 | |
| 5-12 | 683812 | 683812 | 683812 | 683812 | 683812 | 683812 | M8X1.25X20 FLAT SOCKET | 1 | |
| 5-13 | 804784 | 804784 | 804784 | 804784 | 804784 | 804784 | VALVE BODY ASSY | 1 | |
| 5-13-1 | 716244 | 716244 | 716244 | 716244 | 716244 | 716244 | VALVE BODY(H40.50.80) | 1 | |
| 5-13-2 | 773042 | 773042 | 773042 | 773042 | 773042 | 773042 | GASKET | 1 | |
| 5-13-3 | 716246 | 716246 | 716246 | 716246 | 716246 | 716246 | SEAT (CS) | 1 | |
| 5-13-4 | 773425 | 773425 | 773425 | 773425 | 773425 | 773425 | BLOCK | 1 | |
| 5-13-6 | 773426 | 773426 | 773426 | 773426 | 773426 | 773426 | GUIDE PLATE | 1 | |
| 5-13-8 | 706612 | 706612 | 706612 | 706612 | 706612 | 706612 | SPRING INK | 2 | |
| 5-13-9 | 686271 | 686271 | 686271 | 686271 | 686271 | 686271 | BALL | 4 | |
| 5-13-10 | 772934 | 772934 | 772934 | 772934 | 772934 | 772934 | PLUG 20/25-PP | 1 | |
| 5-13-11 | 602300 | 602300 | 602300 | 602300 | 602300 | 602300 | TAPPING BOLT M6X1X16 | 2 | |
| 5-13-12 | 610025 | 610025 | 610025 | 610025 | 610025 | 610025 | HEX. SOCKET HEAD SCREW | 4 | |
| 5-14 | 640134 | 640134 | 640134 | 640134 | 640134 | 640134 | O RING 44.5MM X 3MM | 8 | |
| 5-15 | 611153 | 611153 | 611153 | 611153 | 611153 | 611153 | BOLT M8X1.25X35 HEX FT | 8 | |
| 5-16 | 631420 | 631420 | 631420 | 631420 | 631420 | 631420 | SPRING WASHER M8 ZINC | 12 | |
| 5-17 | 631013 | 631013 | 631013 | 631013 | 631013 | 631013 | WASHER FLAT M8 ZINC DI | 1 | |
| 5-18 | 684987 | 684987 | 684987 | 684987 | 684987 | 684987 | WASHER 40/50/80 NEW | 2 | |
| 5-19 | 716249 | 716249 | 716249 | 716249 | 716249 | 716249 | RETAINER | 4 | |
| 5-20 | 713620 | 713620 | 713620 | 713620 | 713620 | 713620 | SPRING GUIDE | 2 | |
| 5-21 | 773067 | 773067 | 773067 | 773067 | 773067 | 773067 | BUSH | 2 | |
| 5-22 | 686303 | 686303 | 686303 | 686303 | 686303 | 686303 | SPRING | 2 | |
| 5-23 | 714446 | 714446 | 714446 | 714446 | 714446 | 714446 | TRIP ARM | 1 | |
| 5-24 | 700231 | 700231 | 700231 | 700231 | 700231 | 700231 | PIN | 4 | |
| 5-25 | 716216 | 716216 | 716216 | 716216 | 716216 | 716216 | RETAINER | 2 | |
| 5-26 | 611149 | 611149 | 611149 | 611149 | 611149 | 611149 | BOLT M8X1.25X25 FT ZIN | 2 | |
| 5-27 | 686337 | 686337 | 686337 | 686337 | 686337 | 686337 | TAPPING SCREW | 2 | |
| 6 | 716219 | 716219 | 716219 | 716219 | 716219 | 716219 | CENTER BUSH | 6 | |
| 7 | 716218 | 716218 | 716218 | 716218 | 716218 | 716218 | CENTER ROD | 1 | |
| 8 | 711902 | 711902 | 711902 | 711902 | 711902 | 711902 | CENTER DISK 40-R | 2 | |
| 9 | 711903 | 711903 | 711903 | 711903 | 711903 | 711903 | CENTER DISK 40SS | 2 | |
| 10 | 771700 | 771975 | 771853 | 771854 | 771701 | 771799 | DIAPHRAGM 40 | 2 | |
| 11 | 771994 | 772003 | 771956 | 771921 | 771793 | 771997 | VALVE SEAT 40 | 4 | |
| 12 | 770584 | 773172 | 770550 | 770593 | 773142 | 770602 | BALL 40 -50MM | 4 | |
| 14 | 684321 | 684321 | 684321 | 684321 | 684321 | 684321 | BALL VALVE 40&38F 1/2 | 1 | |
| 16 | 684339 | 684339 | 684339 | 684339 | 684339 | 684339 | BUSHING 40 | 1 | |
| 19 | 711911 | 711911 | 711911 | 711911 | 711911 | 711911 | BASE 40 | 2 | |
| 20 | 771402 | 771402 | 771402 | 771402 | 771402 | 771402 | FOOT RUBBER 40/50/80&2 | 4 | |

Air Operated Double Diaphragm Pump

| | DP-40BSN-HD | DP-40BSS-HD | DP-40BSC-HD | DP-40BSE-HD | DP-40BSH-HD | DP-40BSV-HD | | | |
|---------|--------------|-------------|-------------|-------------|-------------|-------------|------------------------|------|---------|
| NPT | 854364 | 854369 | 854363 | 854365 | 854368 | 854366 | **NPT PUMPS** | | |
| FLANGE | 854357 | 854362 | 854356 | 854358 | 854361 | 854359 | **FLANGE PUMPS** | | |
| REF NO. | PARTS NO. | PARTS NO. | PARTS NO. | PARTS NO. | PARTS NO. | PARTS NO. | DESCRIPTION | QTY. | REORDER |
| 21 | 683408 | 683408 | 683408 | 683408 | 683408 | 683408 | M16X1.50 NYLON NUT SS | 2 | |
| 22 | 682740 | 682740 | 682740 | 682740 | 682740 | 682740 | WASHER M16 SS CONICAL | 2 | |
| 23 | 621180 | 621180 | 621180 | 621180 | 621180 | 621180 | BOLT M10X150X45 HEX FT | 16 | |
| 24 | 631174 | 631174 | 631174 | 631174 | 631174 | 631174 | WASHER FLAT M10 SS DIN | 4 | |
| 25 | 631937 | 631937 | 631937 | 631937 | 631937 | 631937 | WAVE WASHER | 20 | |
| 26 | 621202 | 621202 | 621202 | 621202 | 621202 | 621202 | BOLT M12X1.75X45 HEX P | 12 | |
| 27 | 631175 | 631175 | 631175 | 631175 | 631175 | 631175 | WASHER FLAT M12 SS DIN | 12 | |
| 28 | 631938 | 631938 | 631938 | 631938 | 631938 | 631938 | WAVE WASHER | 12 | |
| 29 | 628014 | 628014 | 628014 | 628014 | 628014 | 628014 | NUT M12X1.75 CT SS DIN | 12 | |
| 33 | 621175 | 621175 | 621175 | 621175 | 621175 | 621175 | BOLT M10X150X30 HEX FT | 4 | |
| 34 | 628013 | 628013 | 628013 | 628013 | 628013 | 628013 | NUT M10X1.5 CT SS | 4 | |
| 35 | 611149 | 611149 | 611149 | 611149 | 611149 | 611149 | BOLT M8X1.25X25 FT ZIN | 4 | |
| 36 | 682276 | 682276 | 682276 | 682276 | 682276 | 682276 | NUT W/ FLANGE M8 X 1.2 | 4 | |
| 40 | 640065 | 683999 | 640065 | 683999 | 640065 | 642065 | O RING 89.3MM X 5.7MM | 4 | |
| 44 | 804697 | 804697 | 804697 | 804697 | 804697 | 804697 | MUFFLER 20/25PP NEW | 2 | |
| KIT | K40-MN | K40-MS | K40-MC | K40-ME | K40-MH | K40-MV | LIQUID SIDE | | |
| KIT | K45-AM-DP-HD | | | | | | AIR MOTOR | | |

General Tools:

- Socket wrench - 24mm
- Hexagonal box wrench - 5mm, 6mm
- Small crowbars - 2 (B_C, B_N, B_E, B_V)
- Open-end wrenches - 19mm, 24mm
- Phillips head screw driver

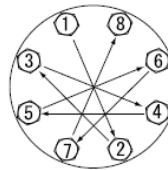
Special Tools:

- Socket (804129) for a guide to remove the throat bearing (sold separately)

Miscellaneous:

- Assembly Oil - Turbine oil none additional class 1 (equivalent to ISA VGA32 grade)
- Nuts - M16 x 1.5
- Thread locker
- Urea grease grade (NLGI) No. 2, Shell Alvania Grease S1

Torque Requirements:



Tightening torque for center rod and out chambers.

Center Rod 43 ft-lbf {60 N-m}
Out Chambers 29 ft-lbf {40 N-m}

Tightening torque for manifold retainer bolts.

BS_ 18 ft-lbf {25 N-m}

Customer Notes

Model #: _____
 Description: _____
 Serial #: _____
 Date Installed: _____
 Department Location: _____
 Tag/Project: _____