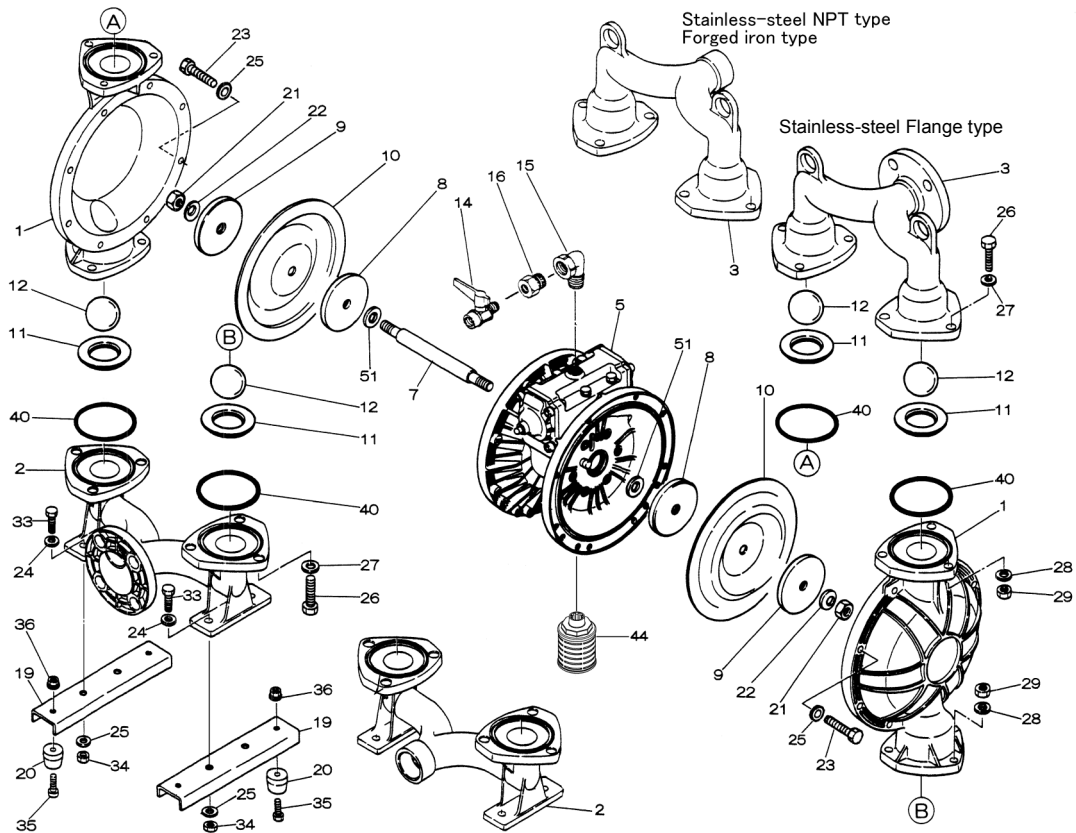


EXPLODED VIEW & PARTS LISTING

Model: NDP-40BS[x]  
Stainless Steel Series

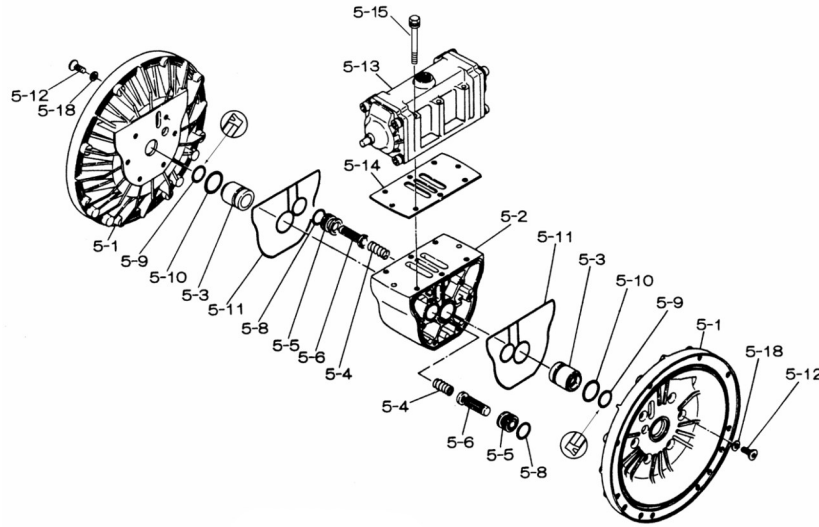


Air Operated Double Diaphragm Pump

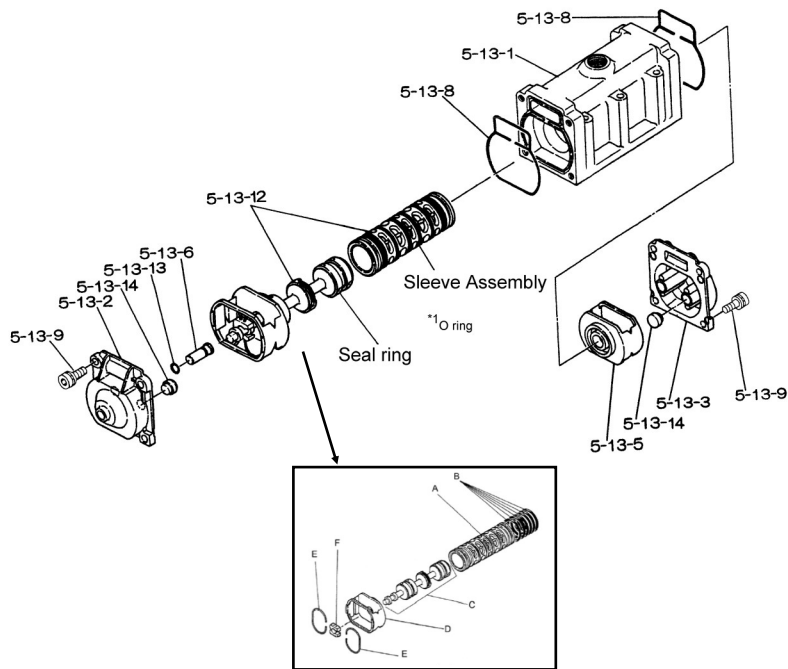


Air Operated Double Diaphragm Pump

■ Body Assembly



■ Valve Body Assembly

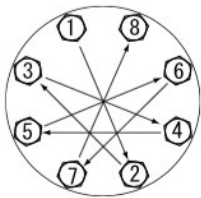


## Air Operated Double Diaphragm Pump

REF. NO.	PART NO.	PART NO.	PART NO.	PART NO.	PART NO.	PART NO.	DESCRIPTION	QTY.	REORDER
NPT	852641	852642	852637	852638	852712	852640	** NPT **		
FLANGE	852419	852420	852223	852224	852710	852301	** FLANGE **		
1	712931	712931	712931	712931	712931	712931	OUT CHAMBER	2	
2	712601	712601	712601	712601	712601	712601	IN MANIFOLD 40SS NPT	1	
2	712599	712599	712599	712599	712599	712599	IN MANIFOLD 40SS FLANGE	1	
3	712600	712600	712600	712600	712600	712600	OUT MANIFOLD 40SS NPT	1	
3	712598	712598	712598	712598	712598	712598	OUT MANIFOLD 40SS FLANGE	1	
<b>5</b>	<b>803111</b>	<b>803111</b>	<b>803111</b>	<b>803111</b>	<b>803111</b>	<b>803111</b>	<b>CENTER BODY ASSY.</b>	<b>1</b>	
5-1	711933	711933	711933	711933	711933	711933	AIR CHAMBER 40	2	
5-2	711936	711936	711936	711936	711936	711936	BODY 40/50/80	1	
5-3	780325	780325	780325	780325	780325	780325	THROAT BEARING	2	
5-4	711937	711937	711937	711937	711937	711937	PILOT VALVE SPRING 40/50	2	
5-5	771740	771740	771740	771740	771740	771740	PILOT VALVE SEAT 40/50	2	
5-6	832162	832162	832162	832162	832162	832162	PILOT VALVE ASSY 40/50	2	
5-8	640020	640020	640020	640020	640020	640020	O-RING	2	
5-9	685444	685444	685444	685444	685444	685444	V-PACKING 40/50/80	2	
5-10	640029	640029	640029	640029	640029	640029	O-RING	2	
5-11	771742	771742	771742	771742	771742	771742	GASKET 40/50/80	2	
5-12	683812	683812	683812	683812	683812	683812	M8X1.25X20 FLAT SOCKET	12	
<b>5-13</b>	<b>802971</b>	<b>802971</b>	<b>802971</b>	<b>802971</b>	<b>802971</b>	<b>802971</b>	<b>VALVE BODY ASSY.</b>	<b>1</b>	
5-13-1	711931	711931	711931	711931	711931	711931	VALVE BODY 40/50/80	1	
5-13-2	580999	580999	580999	580999	580999	580999	CAP A 40/50/80	1	
5-13-3	581000	581000	581000	581000	581000	581000	CAP B 40/50/80	1	
5-13-5	771735	771735	771735	771735	771735	771735	SPRING RETAINER	1	
5-13-6	712976	712976	712976	712976	712976	712976	RESET BUTTON 40/50/80	1	
5-13-8	771738	771738	771738	771738	771738	771738	GASKET 40/50/80 SPOOL	2	
5-13-9	685036	685036	685036	685036	685036	685036	SOCKET BOLT W/ WASHER	8	
<b>5-13-12</b>	<b>805084</b>	<b>805084</b>	<b>805084</b>	<b>805084</b>	<b>805084</b>	<b>805084</b>	<b>C SPOOL ASSY 40/50/80</b>	<b>1</b>	
A	803675	803675	803675	803675	803675	803675	SLEEVE ASSY.	1	
B	640036	640036	640036	640036	640036	640036	O-RING	6	
C	805085	805085	805085	805085	805085	805085	SPOOL ASSY.	1	
D	771735	771735	771735	771735	771735	771735	SPRING RETAINER	1	
E	711932	711932	711932	711932	711932	711932	C-SPRING	2	
F	771734	771734	771734	771734	771734	771734	BLOCK	1	
5-13-13	640005	640005	640005	640005	640005	640005	O-RING	1	
5-13-14	684128	684128	684128	684128	684128	684128	CUSHION 40/50/80 CAP	4	
5-14	771712	771712	771712	771712	771712	771712	GASKET FOR VALVE BODY	1	
5-15	684240	684240	684240	684240	684240	684240	BOLT W/ WASHERS	6	
5-18	684987	684987	684987	684987	684987	684987	WASHER 40/50/80	12	
7	711900	711900	711900	711900	711900	711900	CENTER ROD 40/50	1	
8	711902	711902	711902	711902	711902	711902	CENTER DISK 40-R	2	
9	711903	711903	711903	711903	711903	711903	CENTER DISK 40SS	2	
10	771853	771854	771700	771701	771975	771799	DIAPHRAGM 40	2	
11	771956	771921	771994	771793	772003	771997	VALVE SEAT 40	4	
12	770550	770593	770584	773142	773172	770602	BALL 40	4	

Air Operated Double Diaphragm Pump

REF. NO.	PART NO.	PART NO.	PART NO.	PART NO.	PART NO.	PART NO.	DESCRIPTION	QTY.	REORDER
NPT	852641	852642	852637	852638	852712	852640	** NPT **		
FLANGE	852419	852420	852223	852224	852710	852301	** FLANGE **		
14	686972	686972	686972	686972	686972	686972	BALL VALVE 1/2"	1	
15	682523	682523	682523	682523	682523	682523	ELBOW STRT 3/4" 90D	1	
16	684339	684339	684339	684339	684339	684339	BUSHING 40	1	
19	711911	711911	711911	711911	711911	711911	BASE 40	2	
20	771402	771402	771402	771402	771402	771402	FOOT RUBBER	4	
21	683408	683408	683408	683408	683408	706128	NUT SS	2	
22	682740	682740	682740	682740	682740	682740	WASHER	2	
23	621180	621180	621180	621180	621180	621180	BOLT	16	
24	631174	631174	631174	631174	631174	631174	FLAT WASHER	4	
25	631937	631937	631937	631937	631937	631937	WAVE WASHER	20	
26	621202	621202	621202	621202	621202	621202	BOLT	12	
27	631175	631175	631175	631175	631175	631175	FLAT WASHER	12	
28	631938	631938	631938	631938	631938	631938	WAVE WASHER	12	
29	628014	628014	628014	628014	628014	628014	NUT	12	
33	621175	621175	621175	621175	621175	621175	BOLT	4	
34	628013	628013	628013	628013	628013	628013	NUT	4	
35	611149	611149	611149	611149	611149	611149	BOLT	4	
36	682276	682276	682276	682276	682276	682276	NUT W/FLANGE	4	
40	640065	683999	640065	640065	683999	642065	O-RING	4	
44	804764	804764	804764	804764	804764	804764	SILENCER ASSY	1	
51	770582	770582	770582	770582	770582	770582	CUSHION 40/50/80	2	
KIT	K40-MC	K40-ME	K40-MN	K40-MH	K40-MS	K40-MV	LIQUID END KIT		
KIT	K45-AM						AIR MOTOR KIT		



**Tightening torque for center rod and out chambers.**

Center Rod 43 ft-lbf {60 N-m}  
Out Chambers 29 ft-lbf {40 N-m}

**Tightening torque for manifold retainer bolts.**

40BSC/NE/H/S/V 18 ft-lbf {25 N-m}

**General Tools:**

- Socket wrenches - 13mm, 17mm, 19, mm 24mm
- Hexagonal box wrench - 5mm, 6mm
- Small crowbars - 2
- Open-end wrenches - 24mm
- Plastic hammer

**Special Tools (sold separately):**

- Sleeve remover (713180)

**Miscellaneous:**

- Assembly Oil - turbine oil none additional class 1 (equivalent to ISO VG32 grade)
- Nuts - M16 x 1.5
- Thread locker
- Urea grease grade (NLGI) No. 2

Customer Notes	
Model #:	_____
Description:	_____
Serial #:	_____
Date Installed:	_____
Department Location:	_____
Tag/Project:	_____