

BALDOR® • *RELIANCE*

Product Information Packet

AEM3686-4

1.5HP, 1760RPM, 3PH, 60HZ, 184, 0626M, TEFC, F1

Part Detail							
Revision:	D	Status:	PRD/A	Change #:		Proprietary:	No
Type:	AC	Prod. Type:	0626M	Elec. Spec:	06WGY443	CD Diagram:	CD0006
Enclosure:	TEFC	Mfg Plant:		Mech. Spec:	06F062	Layout:	06LYF062
Frame:	184	Mounting:	F1	Poles:	04	Created Date:	02-23-2015
Base:	RG	Rotation:	R	Insulation:	F	Eff. Date:	05-24-2016
Leads:	3#16					Replaced By:	
Literature:		Elec. Diagram:					

Nameplate NP1404E	
CAT.NO.	AEM3686-4
SPEC.	06F062Y443G1
VOLTS	460
AMP	2.1
RPM	1760
HP	1.5
FRAME	184
HZ	60
PH	3
SER.F.	1.00
CODE	L
DES	B
CL	F
NEMA-NOM-EFF	87.5
PF	74
G.MIN.EFF	86.5
CC	010A
RATING	65C AMB-CONT
LUBRICATION	POLYREX EM
DE	6206
ODE	6205
ENCL	TEFC
SER. #	

Parts List		
Part Number	Description	Quantity
SA294372	SA 06F062Y443G1	1.000 EA
RA280452	RA 06F062Y443G1	1.000 EA
36FN3000C01	EXFN, PLASTIC, 5.25 OD, .912 ID	1.000 EA
HW3201A05	3/8-16 EYEBOLT	1.000 EA
06CB1000A02	CONDUIT BOX, MACH, W/.75 PIPE TAP & #18	1.000 EA
RM1016	LEAD SEPARATOR GASKET - 305/306 C.P.MOTO	1.000 EA
51XW2520A12	SCREW, HEX SER SLT HD, ZN, 1/4-20 X .75	2.000 EA
11XW1032G06	10-32 X .38, TAPTITE II, HEX WSHR SLTD U	1.000 EA
HW3001B01	BRASS CUP WASHER, FOR #8 SCREW	1.000 EA
36EP1101A51	FR ENDPLATE MACH, TEFC	1.000 EA
HW4500A19	1/4-28X1/4 SLOTTED PLUG F/S	2.000 EA
HA4054	SHORT T-DRAIN FITTING, .125" N.P.T.	1.000 EA
HW5100A05	WVY WSHR F/205 & 304 BRGS	1.000 EA
36EP1100A21	PU ENDPLATE MACH	1.000 EA
HW4500A20	1/8NPT SL PIPE PLUG	1.000 EA
HW4500A19	1/4-28X1/4 SLOTTED PLUG F/S	2.000 EA
HA3101A34	THRUBOLT- 1/4-20 X 10.375	4.000 EA
XY2520A12	1/4-20 HEX NUT, DIRECTIONAL SERRATIONS	4.000 EA
36FH4009A31	IEC FH W/GREASER & SPL NOTCH, W/ PRIMER	1.000 EA
51XW1032A06	10-32 X .38, TAPTITE II, HEX WSHR SLTD S	3.000 EA
06CB1500A01	CONDUIT BOX LID, MACH	1.000 EA
06GS1003	GASKET, KOBX LID, 1/8" THICK BLACK NEOPR	1.000 EA
10XN2520A12	O1/4-20X 3/4 HEX HEAD CAP	2.000 EA
HW1001A25	LOCKWASHER 1/4, ZINC PLT .493 OD, .255 I	2.000 EA

Parts List (continued)		
Part Number	Description	Quantity
HA1005A22	SLINGER, OD 2.00, ID 1.14, 206 BRG, GM	1.000 EA
HA1005A03SP	SLINGER, OD 1.750, ID .938, 205 BRG	1.000 EA
MJ5001A27	32220KN GRAY SEALER *MIN BUY 4 QTS=1GAL	0.001 QT
MJ5001A02	732 CL SEALANT 3 OZ DIXIE BEARING 289100	0.001 EA
MJ5001A14	DYNAPRO SEAL, CP MOTORS VC#2508050 (603	0.001 EA
HW2501D13	KEY, 3/16 SQ X 1.375	1.000 EA
HA7000A01	KEY RETAINER 7/8" DIA SHAFT	1.000 EA
85XU0407S04	4X1/4 U DRIVE PIN STAINLESS	2.000 EA
LB1115N	LABEL,LIFTING DEVICE (ON ROLLS)	1.000 EA
WD1000B03	BURNDY YAV14 TERML (1M/PK)	3.000 EA
MJ1000A02	GREASE, POLYREX EM EXXON (USe 4824-15A)	0.050 LB
51XB1214A16	12-14X1.00 HXWSSLD SERTYB	1.000 EA
MG1025G02	WILKOFASST, 782.02, LIGHT GRAY	0.028 GA
LB1119N	WARNING LABEL	1.000 EA
LC0006	CONNECTION LABEL	1.000 EA
NP1404E	SS UL CSA CC "AUTOMOTIVE"	1.000 EA
36PA1001	PKG GRP, PRINT PK1017A06	1.000 EA
MN416A01	TAG-INSTAL-MAINT no wire (1200/bx) 11/14	1.000 EA

Accessories		
Part Number	Description	Multiplier
36-1037	C FACE KIT	A8

AC Induction Motor Performance Data

Record # 49367 - Typical performance - not guaranteed values

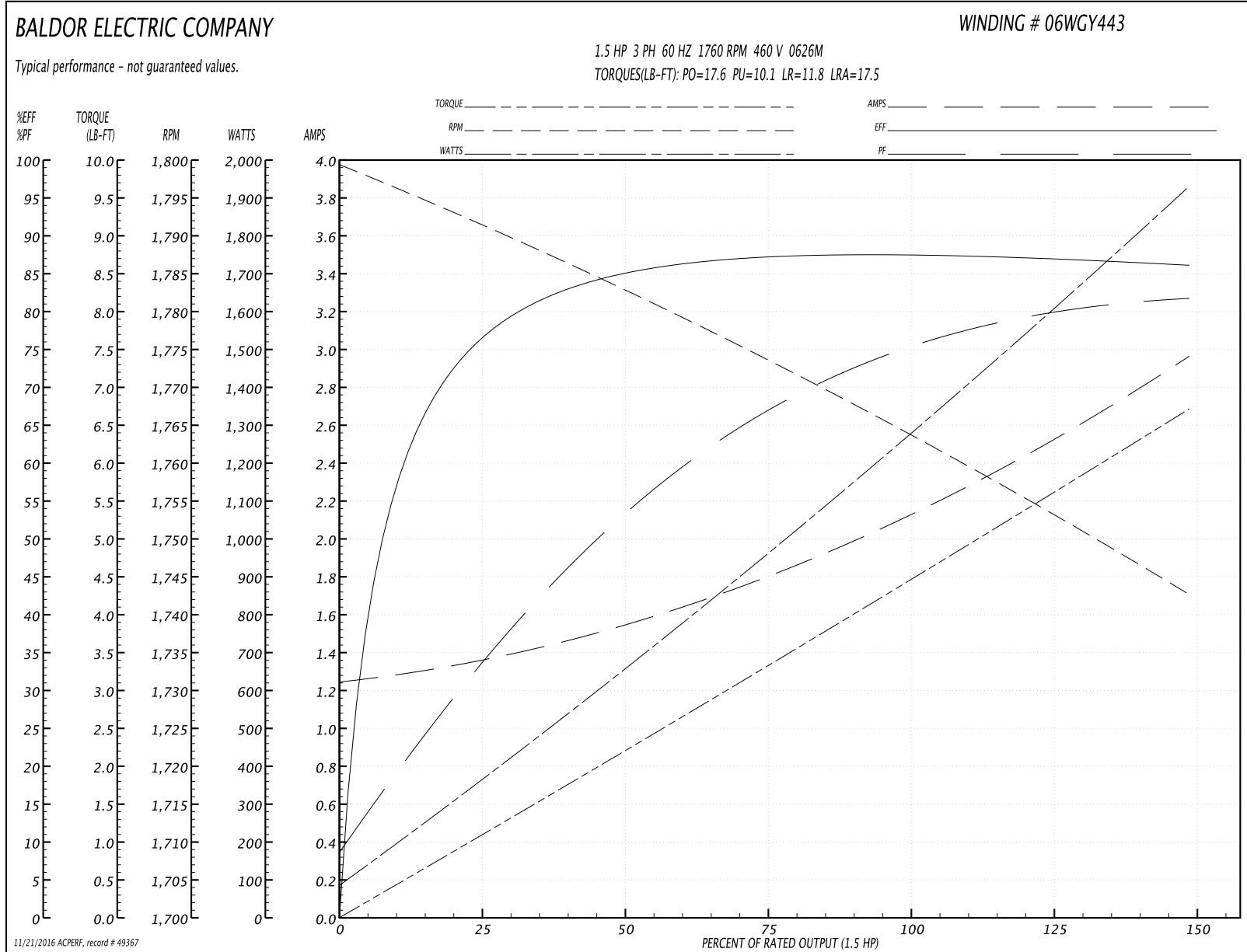
Winding: 06WGY443-R001	Type: 0626M	Enclosure: TEFC
-------------------------------	--------------------	------------------------

Nameplate Data				460 V, 60 Hz: Single Voltage Motor	
Rated Output (HP)	1.5			Full Load Torque	4.44 LB-FT
Volts	460			Start Configuration	direct on line
Full Load Amps	2.1			Breakdown Torque	17.6 LB-FT
R.P.M.	1760			Pull-up Torque	10.1 LB-FT
Hz	60	Phase	3	Locked-rotor Torque	11.8 LB-FT
NEMA Design Code	B	KVA Code	L	Starting Current	17.5 A
Service Factor (S.F.)	1			No-load Current	1.26 A
NEMA Nom. Eff.	87.5	Power Factor	74	Line-line Res. @ 25°C	9.18 Ω
Rating - Duty	65C AMB-CONT			Temp. Rise @ Rated Load	22°C
				Locked-rotor Power Factor	47.5
				Rotor inertia	0.242 LB-FT ²

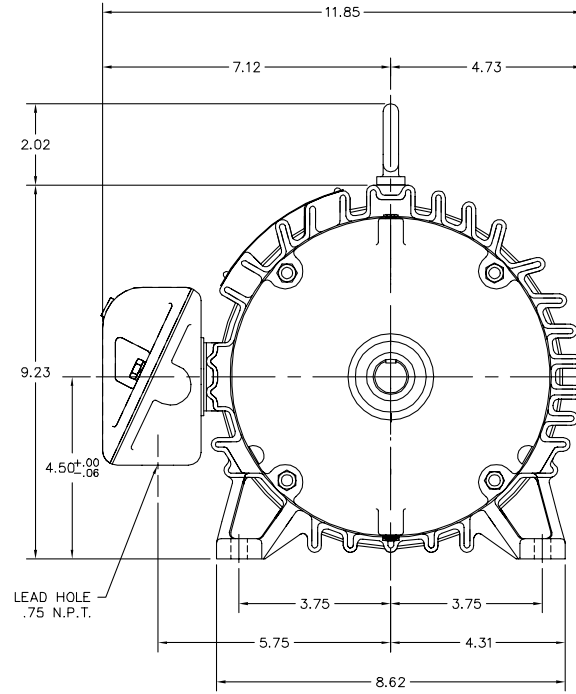
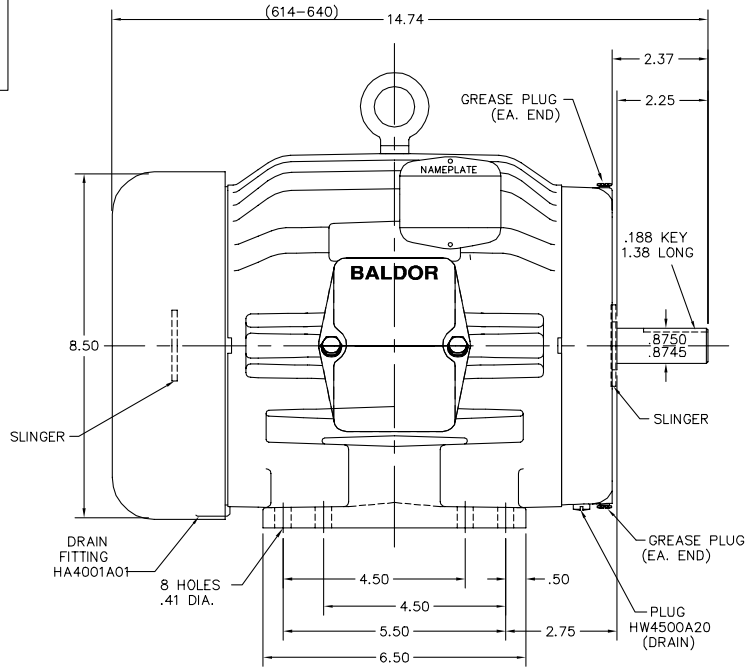
Load Characteristics 460 V, 60 Hz, 1.5 HP

% of Rated Load	25	50	75	100	125	150
Power Factor	34	54	67	74	79	82
Efficiency	75.4	84.6	87.1	87.7	87.2	86
Speed	1791	1783	1773	1765	1754	1742
Line amperes	1.34	1.53	1.79	2.14	2.53	2.95

Performance Graph at 460V, 60Hz, 1.5HP Typical performance - Not guaranteed values



06LYF062



06LYF062

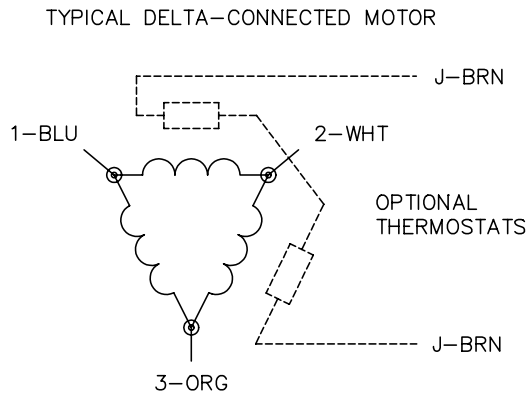
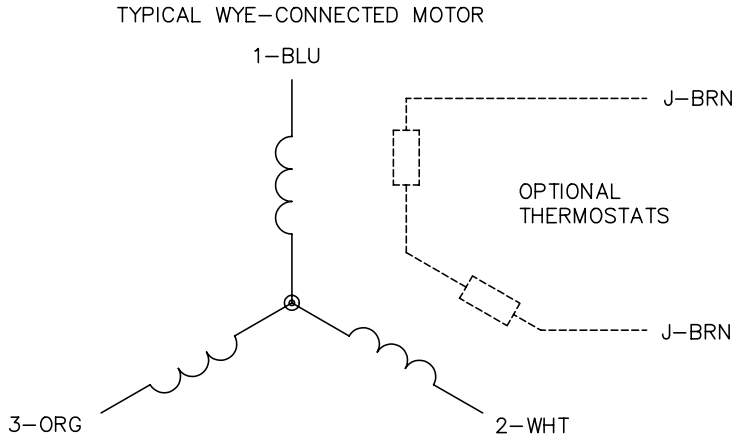
CUSTOMER IS RESPONSIBLE FOR DETERMINING THAT BALDOR'S PRODUCT WILL PERFORM SUITABLY IN THE INTENDED APPLICATION.

REV. DESC: REMOVE GM AND REPLACE WITH AUTOMOTIVE	VERSION: 02	TDR: 000000920606
REV. LTR: F	REVISD: 09:23:19 04/17/2015	BY: ENALEMO
FILE: \AAA\00008\084		
MTL: -		

BALDOR

SPL 182-184 TEFC HORZ 306M - AUTOMOTIVE SPEC
SH 1 of 1

CD0006



NOTES:

1. THREE LEAD MOTOR MAY BE EITHER WYE CONNECTED OR DELTA CONNECTED.
2. INTERCHANGE ANY TWO LINE LEADS TO REVERSE ROTATION.
3. OPTIONAL THERMOSTATS ARE PROVIDED WHEN SPECIFIED.
4. ACTUAL NUMBER OF INTERNAL PARALLEL CIRCUITS MAY VARY.
5. LEAD COLORS ARE OPTIONAL. LEADS MUST BE NUMBERED AS SHOWN.

REV. DESC: REVISE TO SHOW OPTIONAL COLORS			
REV. LTR: D	BY: JLP	REVISED: 01/21/99 4:02	TDR: 0171435
9000D		FILE: AAA00005141	MDL: -
		MTL: -	

BALDOR ELECTRIC Co.

3PH, SV, 3 LEADS, WYE OR DELTA CONNECTED

CD0006