

# **BALDOR® • RELIANCE**

## **Product Information Packet**

# **AP233001**

**.06HP,1800RPM,DC,AP-0,2318P,TENV,F1**

Part Detail							
Revision:	U	Status:	PRD/A	Change #:		Proprietary:	No
Type:	DC	Prod. Type:		Elec. Spec:	23WGZ003	CD Diagram:	CD1899
Enclosure:	TENV	Mfg Plant:		Mech. Spec:		Layout:	23A002Z003
Frame:		Mounting:	F1	Poles:	///	Created Date:	
Base:		Rotation:	R	Insulation:	F	Eff. Date:	09-21-2016
Field Type:		Literature:		Elec. Diagram:		Replaced By:	

Nameplate NP1220A15	
CAT.NO.	AP233001
SER.NO	DATA CODE
SPEC.	23A002Z003
FRAME	TYPE 2318P
HP	.067 TE
VOLTS	90DC
AMP	.78
F.F.	1.40 CLASS F
RPM	1800
AMB.	40 DUTY CONT
BRUSHES	2/BP5060DA02
APRV-CUL	

Parts List		
Part Number	Description	Quantity
SA048829	SA 23A002Z003	1.000 EA
AA005462	AA 23A002Z003	1.000 EA
LC0899A02	CONNECTION LABEL FOR TYPE DCPM	1.000 EA
BP5060DA02	CARBON BRUSH-1/8X3/16 FOR MODEL 23 P130	2.000 EA
23BA4002L	23BA4002-BLACK POWDER COATED	1.000 EA
96XN1032A05	10-32X5/16 FLAT HD PHLPS DRV	2.000 EA
23EP3108A01L	EP,23DC ODE CL 0.63 P4	1.000 EA
HW5109A06	WASHER, WAVE SPRING FOR 22MM BORE SMALLE	1.000 EA
55XT0632G03	6-32 X 0.187 RD HD PHILLIPS, SERRATED	1.000 EA
23EP3100A01L	ENDPLATE, 23 FRAME FRONT	1.000 EA
WD4102A01	SR-6L-1 HEYCO STRN RELIEF OR 23MPO6L10 M	1.000 EA
HA3170A10	THRUBOLT,FLAT HD. #8-32 THDS X 4.687 LON	2.000 EA
HW5002A45	RETAINING RING,WALDES TRUARC N5002-118	1.000 EA
80XN0632J03	SCREW, 6-32 X 3/16", SHS, AS	2.000 EA
BP4517	BRUSH TUBE ASM,	2.000 EA
BP4515SP	BRUSH CAP	1.000 EA
BCB1111-063	CABLE ASS'Y, 18-3-SJOOW	1.000 EA
NP1220A15	NP,DC STD AD NONE V MOTOR ONLY CUL	1.000 EA
CPA1000	PACKING GROUP STD. SINGLE	1.000 EA

<b>Accessories</b>		
<b>Part Number</b>	<b>Description</b>	<b>Multiplier</b>
BC110	FRAC DC ANALOG,115AC,50/60HZ,1.0A,1	E9
BC138	3478# KBWM-120 CN3000A57	E9
BC140	CS2934A,120/240VAC .5/1-HP SCR CTL,NEMA	E9
BC140-FBR	3479G KBMD-240D w/FBR CN3000A54	E9
BC141	CHASSIS MOUNT FSCN CN3000A20	E9
BR0251	PLUG IN RESISTOR	E9

**DC Motor Performance Data**

Record # 476 - Typical performance - not guaranteed values

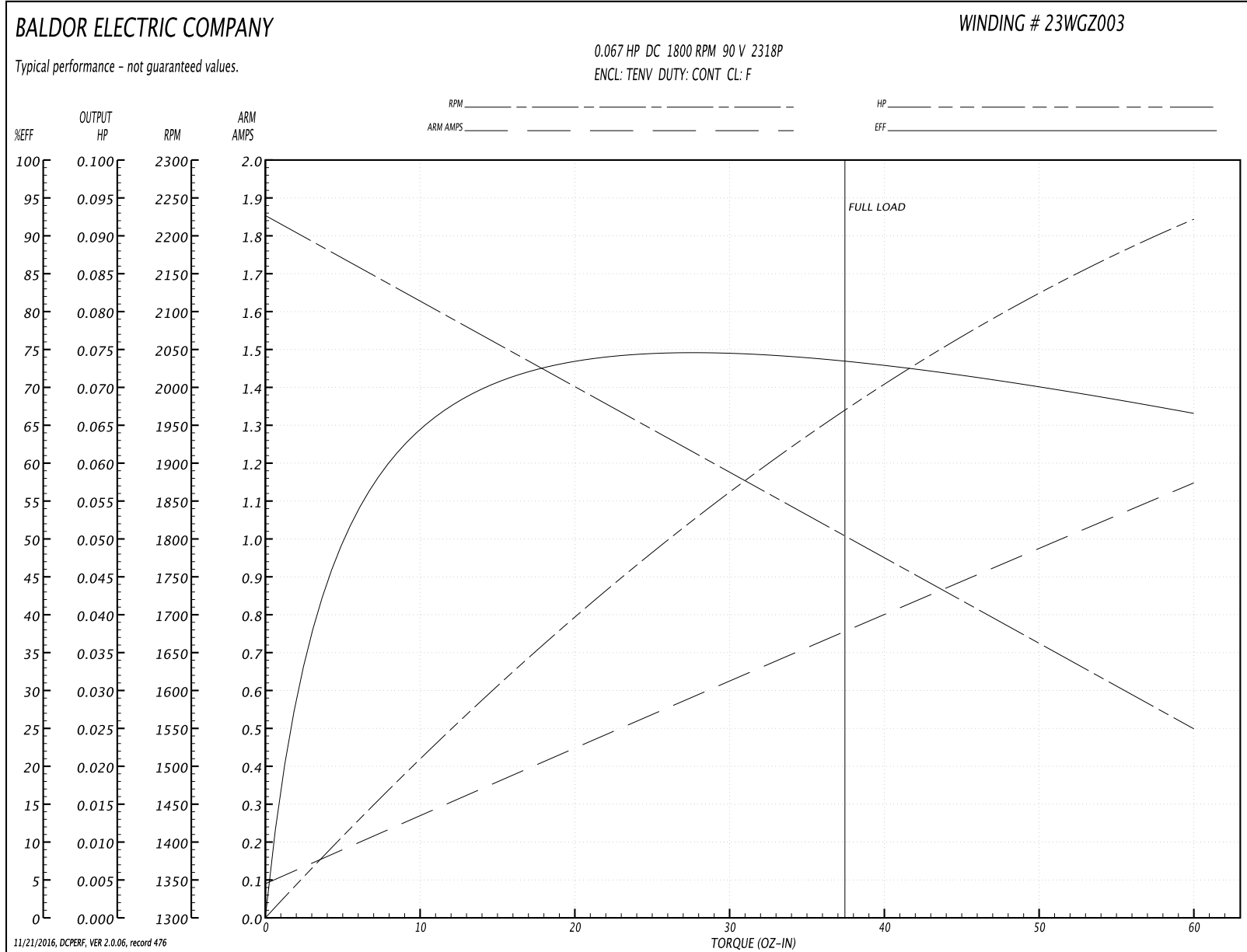
<b>Winding:</b> 23WGZ003-R001	<b>Type:</b> 2318P	<b>Enclosure:</b> TENV
-------------------------------	--------------------	------------------------

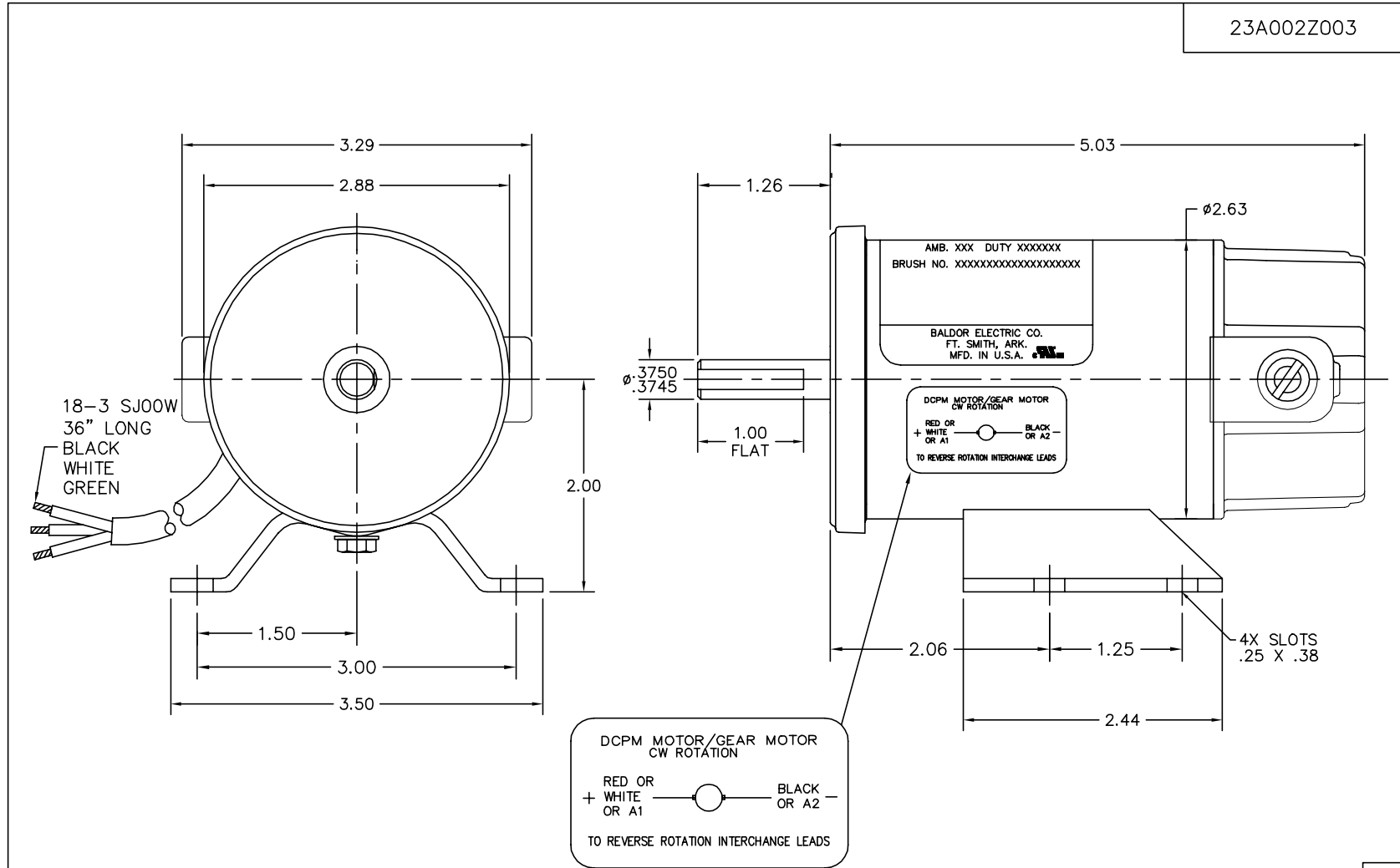
Nameplate Data		General Characteristics	
Rated Output (HP)	0.067	Armature Resistance @ 25°C	20.5 Ω
R.P.M.	1800		
Armature Volts	90		
Armature Amps	0.78		
Field Volts		Armature Inductance	41.6 mH
Field Amps		Armature Inertia	4.235 OI <sup>2</sup>
Rating - Duty	40C AMB-CONT		
Form Factor	1.45	Maximum allowable inrush amps	7.4
		Temp. Rise @ Rated Load	109°C

Load Characteristics at 90 Armature Volts

Load Point	1	2	3	4	5	6	7
Armature Amps	0.09	0.27	0.45	0.62	0.77	0.97	1.15
R.P.M.	2225	2116	2003	1883	1800	1665	1548
Torque ( OZ-IN )	0	10	20	30	37.9	50	60

Performance Graph at 90.0 Arm V, 0.067HP Typical performance - Not guaranteed values





CUSTOMER IS RESPONSIBLE FOR DETERMINING THAT MOTOR PERFORMANCE IS SUITABLE IN THE APPLICATION.

REV. DESC: NEW-REPLACES 23LYA002		
REV. LTR: -	VERSION: 00	TDR: 000000438357
Σ00ZZ00VΣZ	FILE: \CKA\00032\558	REVISED: 09:03:01 12/26/2007
	MTL: -	BY: CKPHIWO

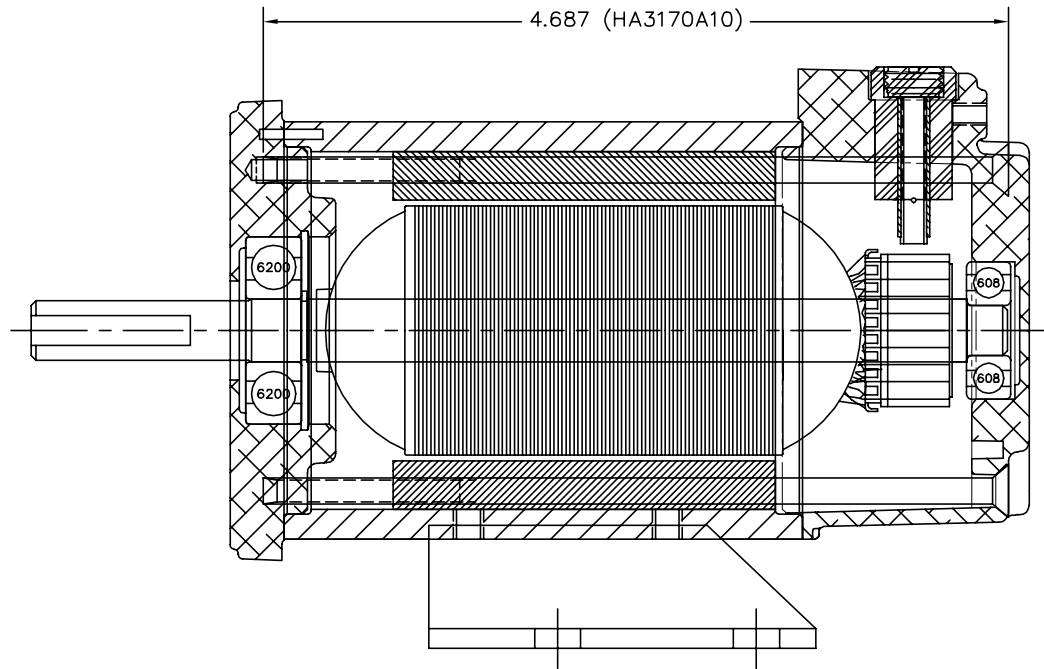
**BALDOR • DODGE • RELIANCE**

LY,23DC MTR DOM 1.250 0.375 FLAT FRAME MOTOR ONLY

23A002Z003



23A002Z003



CUSTOMER IS RESPONSIBLE FOR DETERMINING THAT MOTOR PERFORMANCE IS SUITABLE IN THE APPLICATION.

REV. DESC: NEW-REPLACES 23LYA002

REV. LTR: -

VERSION: 00

TDR: 000000438357

**BALDOR • DODGE • RELIANCE**

Σ00ZZ00VΣZ

FILE: \CKA\00032\558

REVISED: 09:03:01 12/26/2007

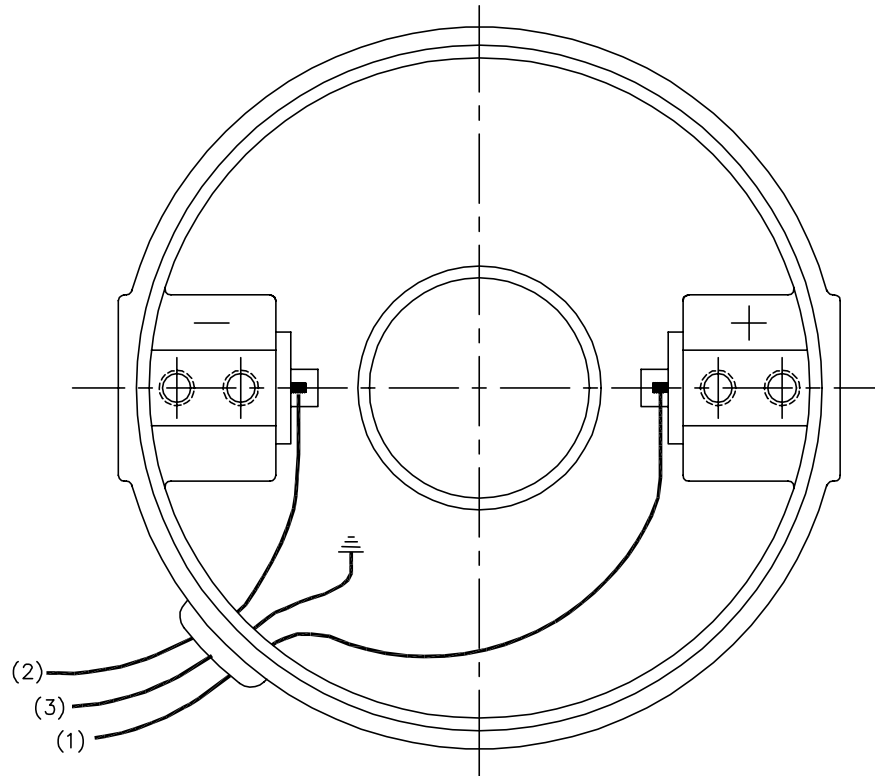
MTL: -

BY: CKGLEHO

LY,23DC MTR DOM 1.250 0.375 FLAT FRAME MOTOR ONLY

23A002Z003

CD1899



(1) COLOR MAY BE  
RED  
WHT  
BLU

(2) COLOR MAY BE  
BLK  
BRN

(3) COLOR WHEN REQ.  
GRN  
GRN/YEL

VIEWED FROM  
DRIVE END

REV. DESC: NEW			
REV. LTR: -	BY: PAW	REVISED: 09:06:34 09/16/2004	TDR: 341564
668100		FILE: CKA00025830	REF: CD1899
		MTL: -	

**BALDOR ELECTRIC Co.**

PM,2LD,REV,TANG,CK

CD1899