

BALDOR® • ***RELIANCE***

Product Information Packet

CDPWD3575

1.5HP,1750RPM,DC,145TC,3536P,TEFC,F1

Part Detail							
Revision:	AE	Status:	PRD/A	Change #:		Proprietary:	No
Type:	DC	Prod. Type:		Elec. Spec:	35WGZ164	CD Diagram:	CD0194
Enclosure:	TEFC	Mfg Plant:		Mech. Spec:	35P523	Layout:	35LYP523
Frame:	145TC	Mounting:	F1	Poles:	///	Created Date:	
Base:	RG	Rotation:	RS	Insulation:	F	Eff. Date:	09-10-2015
Field Type:		Literature:		Elec. Diagram:		Replaced By:	

Nameplate NP1509	
CAT.NO.	CDPWD3575
SPEC.	35P523Z164
HP	1.5
RPM	1750
FRAME	145TC
ARM V	180
FLD V	
INSUL	F
DUTY	CONT
BRG/DE	6205
BRUSHES	2/BP5000T15
SER.	
BLANK	IP55
APRV-CSA	<input type="checkbox"/>
APRV-UL	<input type="checkbox"/>
APRV-CE	<input type="checkbox"/>

ENCL	TEFC
TYPE	3536P
ARM A	7.7
FLD A	
AMB.	40
SUPPLY	K
BRG/ODE	6205
BLANK	

Parts List		
Part Number	Description	Quantity
SA005547	SA 35P523Z164	1.000 EA
AA003196	AA 35P523Z164	1.000 EA
BP5000T15SP	CARBON BRUSH-35P,180VOLTS	1.000 EA
11XW1032G06	10-32 X .38, TAPTITE II, HEX WSHR SLTD U	1.000 EA
HW3001B02	BRASS CUP WASHER W/GROUND SYMBOL TAB,	1.000 EA
HW4600B49	SEAL 0.938 X 1.624 X 0.250 SINGLE LIP DB	1.000 EA
HA1005A03SP	SLINGER, OD 1.750, ID .938, 205 BRG	1.000 EA
HW5100A05	WVY WSHR F/205 & 304 BRGS	1.000 EA
HW4600B49	SEAL 0.938 X 1.624 X 0.250 SINGLE LIP DB	1.000 EA
HA1005A15	SLINGER,.860 ID X 1.625 OD X .125 THICK	1.000 EA
12XN1032S20	10-32 X 1-1/4 HEX M.S. , STAINLESS STEEL	2.000 EA
BP5201A18	BRUSH HOLDER - WITHOUT CAP & CONN.	2.000 EA
BP4543A01	BRUSH HOLDER CAP, AE-74-SO W/O'RING	2.000 EA
BP3000A02SP	AMP LEAD CLIP #60812-2 SPL	1.000 EA
80XN1032A03	10-32 X 3/16 SET SCREW	2.000 EA
MJ5004A05	#242-21 LOCTITE GENERAL PURPOSE MED. STR	0.001 EA
35FN3002A05	EXFN, PLASTIC, 6.376 OD, .638 ID	1.000 EA
51XB1214A16	12-14X1.00 HXWSSLD SERTYB	1.000 EA
11XW1032S06	10-32 X .38, TAPTITE II, HEX WSHR SLTD U	3.000 EA
WD4102A01	SR-6L-1 HEYCO STRN RELIEF OR 23MPO6L10 M	1.000 EA
WD4100A17	PLUG STIMPSON D4036	1.000 EA
35GS1010A01	GASKET, CONDUIT BOX LID TDR 11640	1.000 EA
59XW0832S07	TAPTITE II,HEX WSHR UNSLTD SER,410 S.S.,	2.000 EA
HW2502D13	SS KEY, 3/16 SQ X 1.375	1.000 EA

Parts List (continued)		
Part Number	Description	Quantity
HA7000A01	KEY RETAINER 7/8" DIA SHAFT	1.000 EA
LB1164	LABEL,WARNING AND DRAIN	1.000 EA
35EP3110A14W	FR EP TEFC 35PM W/WHITE POWDER COAT PAINT	1.000 EA
35EP3301A05W	PU E.P. ENCL, 56C 35PM-205 BRG W/WHITE P	1.000 EA
35FH5001A10WP	DRIP COVER ASS'Y TEFC HOR,EPOXY PRIMER P	1.000 EA
35CB4506W	CONDUIT BOX LID, STAMPED W/WHITE POWDER	1.000 EA
MJ5001A27	32220KN GRAY SEALER *MIN BUY 4 QTS=1GAL	0.001 QT
MG1025W01	WILKOFAS, 781.01, SIGNAL WHITE #9003	0.017 GA
MG1500Y02	PRIMER,347.29+347.29C ACTIVATOR WILKOPON	0.017 GA
10XF0440S02	04-40 X 1/8 TYPE F HEX HD STAINLESS STIC	2.000 EA
HW4032A01	BLACK DRAIN PLUG FOR WASH DOWN MOTORS	3.000 EA
HW4032A01	BLACK DRAIN PLUG FOR WASH DOWN MOTORS	3.000 EA
HA3101S46	THRUBOLT- 1/4-20 X 10.00 SS	4.000 EA
LB1451	WARNING LABEL, CE WARNING SYMBOLS ONLY	1.000 EA
MN416A01	TAG-INSTAL-MAINT no wire (1200/bx) 11/14	1.000 EA
LC0194	CONNECTION LABEL	1.000 EA
NP1509	DC, WD, UL CE CSA, W/O THERMAL	1.000 EA
35PA1007	PKG GRP, PRINT PK1034A06	1.000 EA

DC Motor Performance Data

Record # 388 - Typical performance - not guaranteed values

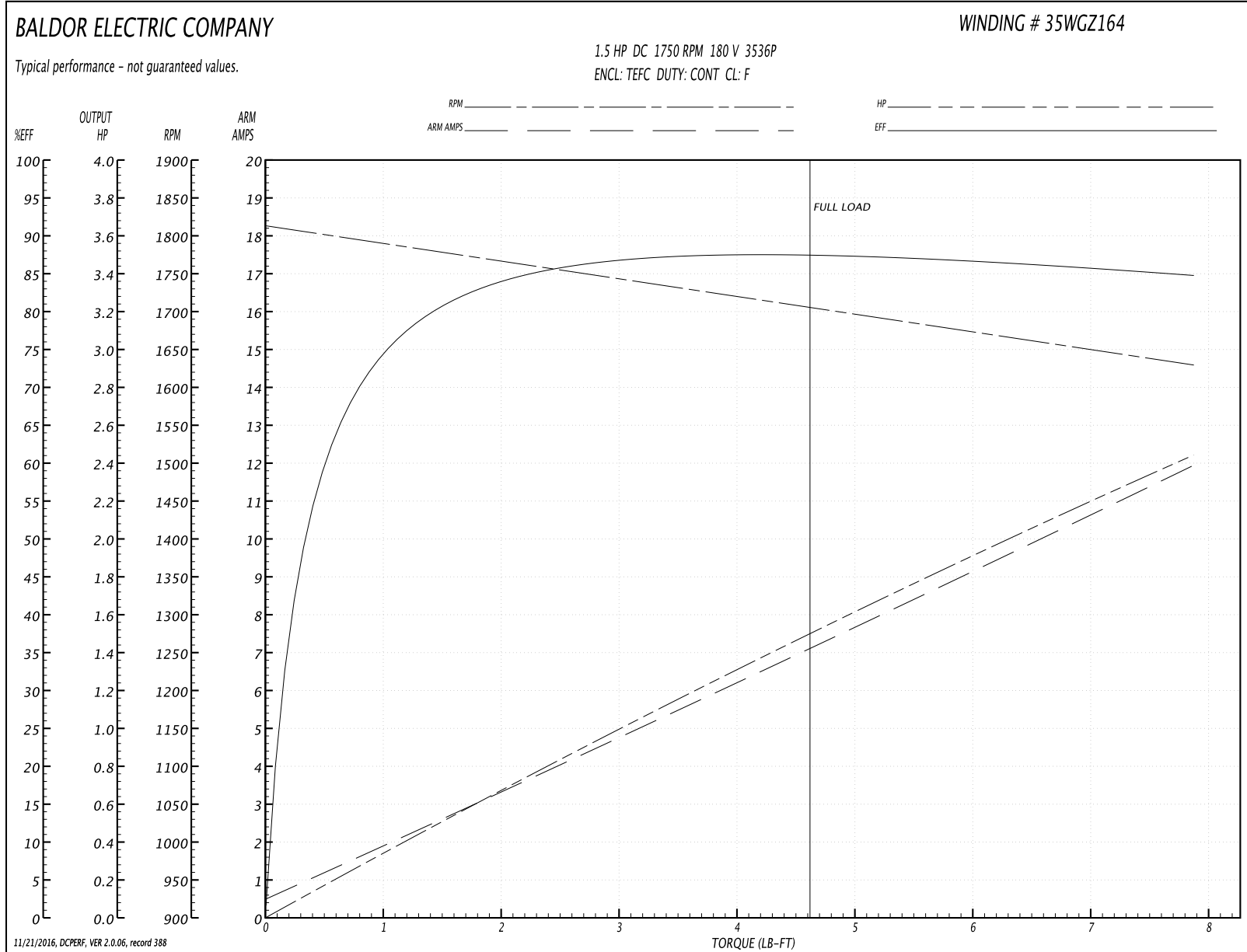
Winding: 35WGZ164-R001	Type: 3536P	Enclosure: TEFC
-------------------------------	--------------------	------------------------

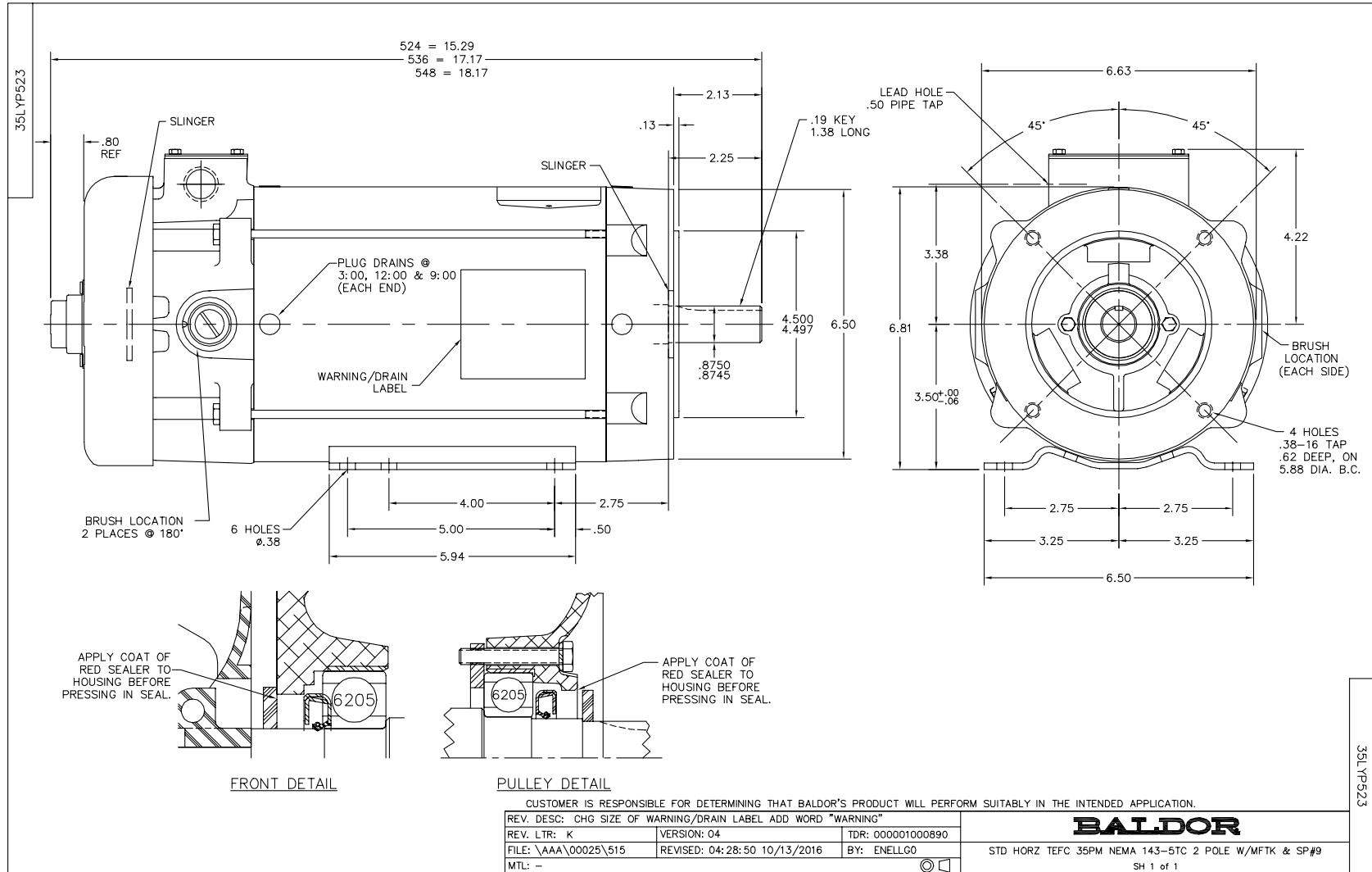
Nameplate Data		General Characteristics	
Rated Output (HP)	1.5	Armature Resistance @ 25°C	0.965 Ω
R.P.M.	1750		
Armature Volts	180	Voltage Constant	97.47 v/krpm
Armature Amps	7.7		
Field Volts		Armature Inductance	12.959 mH
Field Amps		Armature Inertia	30.342 LI ²
Rating - Duty	40C AMB-CONT		
Power Supply Code	K		

Load Characteristics at 180 Armature Volts

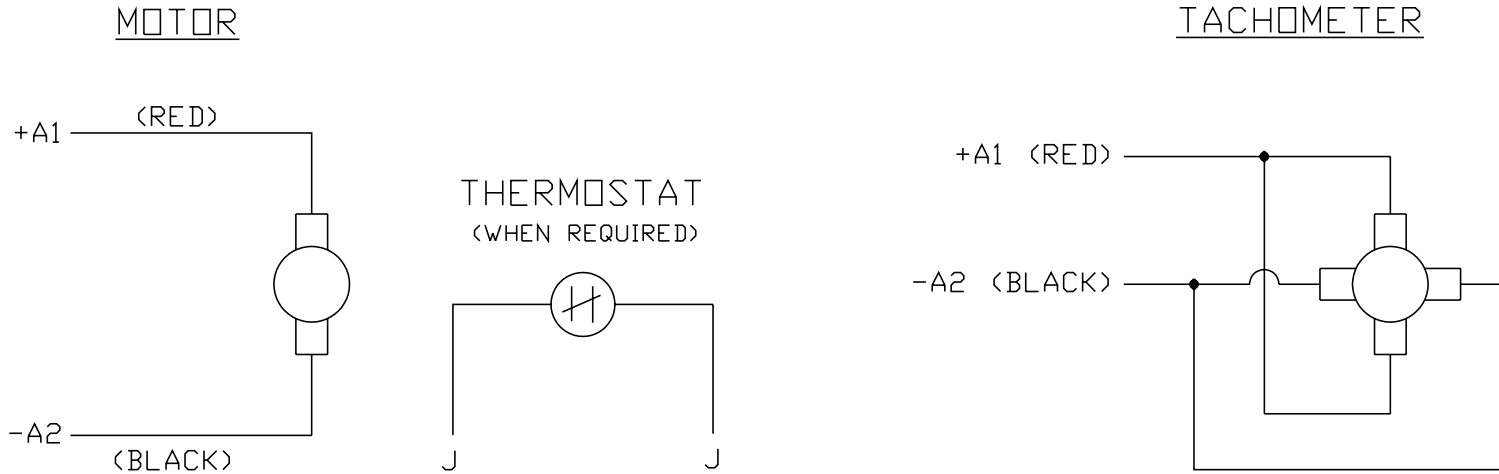
Load Point	1	2	3	4	5	6	7
Armature Amps	0.5	3.6	5.4	7	8.5	10.2	12
R.P.M.	1819	1762	1727	1701	1682	1661	1632
Torque (LB-FT)	0	2.25	3.375	4.5	5.625	6.75	7.875

Performance Graph at 180.0 Arm V, 1.5HP Typical performance - Not guaranteed values





CD0194



NOTES:

1. CCW ROTATION AS SHOWN FACING COMMUTATOR END. TO REVERSE MOTOR ROTATION OR TACHOMETER OUTPUT POLARITY INTERCHANGE LEADS A1(RED) & A2(BLACK)
2. LEAD COLORS FOR REFERENCE ONLY & NOT SPECIFIED BY THIS DRAWING. LEAD COLORS SPECIFIED BY LAYOUT DRAWING & BILL OF MATERIAL ONLY.

MATL: -			
REV: E	ADDED NOTE "LEAD COLORS FOR REFERENCE ONLY &..."		
CD0194	SCALE: -	BY: CK	REVISED: 07/28/95
	FILE: AAA00004503	TDR: 0078737	

BALDOR ELECTRIC Co.

CD TYPE P DC PERMANENT MAGNET MOTORS AND TACHOMETERS

CD0194