

BALDOR® • ***RELIANCE***

Product Information Packet

CHC345A

.5HP, 1700RPM, 1PH, 60HZ, 56YZ, 3420C, TEAO, F1

Part Detail							
Revision:	E	Status:	PRD/A	Change #:		Proprietary:	No
Type:	AC	Prod. Type:	3420C	Elec. Spec:	34WGR058	CD Diagram:	CD0381
Enclosure:	TEAO	Mfg Plant:		Mech. Spec:	34M244	Layout:	34LYM244
Frame:	56YZ	Mounting:	F1	Poles:	04	Created Date:	07-31-2013
Base:	RS	Rotation:	RS	Insulation:	B	Eff. Date:	08-05-2016
Leads:	7#18					Replaced By:	
Literature:		Elec. Diagram:					

Nameplate NP1257L										
CAT.NO.	CHC345A									
SPEC.	34M244R058G1									
HP	.5									
VOLTS	115/230									
AMP	5.2/2.6									
RPM	1700									
FRAME	56YZ					HZ	60		PH	1
SER.F.	1.15		CODE	H		DES	-		CL	B
NEMA-NOM-EFF	72		PF	86						
RATING	40C AMB-CONT									
CC					USABLE AT 208V	2.8				
DE	6203			ODE	6203					
ENCL	TEAO		SN							

Parts List		
Part Number	Description	Quantity
SA266959	SA 34M244R058G1	1.000 EA
RA253641	RA 34M244R058G1	1.000 EA
OC3030F11SP	CYL OIL CAP 30MFD/370V	1.000 EA
11XT0832G06	8-32 X 3/8 TY 23 TAPPING	1.000 EA
LD5000A52	LEAD ASSY W/INTERNAL STAR RING TERMINALS	1.000 EA
11XT1032A06	10-32 X 3/8 HX WSHR HD SLTD TYPE 23	2.000 EA
34EP3204A01SP	FR ENDPLATE, MACH	1.000 EA
WD4100A01	DP-875 HEYCO PLUG OR 62MP0875 MICRO PLAS	1.000 EA
RM1001A01	GROMMET "MIDSTATES"	1.000 EA
51XW0832A07	8-32 X .44, TAPTITE II, HEX WSHR SLTD SE	3.000 EA
RM1000A03	CUSHION RING, MDL 17-33-34	1.000 EA
HA6004A01A	CLAMP CUSHION RING ASSY	1.000 EA
NS2501A01	INSULATOR, CAPACITOR	1.000 EA
51XB1016A05	10-16X5/16HX WA SL SR TYB (F/S)	2.000 EA
HW5100A03SP	WAVY WASHER (W1543-017)	1.000 EA
34EP3205B01	PU ENDPLATE, MACH	1.000 EA
RM1000A03	CUSHION RING, MDL 17-33-34	1.000 EA
HA6004A01A	CLAMP CUSHION RING ASSY	1.000 EA
XY0832A02	8-32 HEX NUT	4.000 EA
34CB4501SP	TERMINAL BOX LID, STAMPED X (PLATED)	1.000 EA
34GS1005	GASKET, TERM PLATE LID	1.000 EA
51XW0832A07	8-32 X .44, TAPTITE II, HEX WSHR SLTD SE	2.000 EA
HW2501D13	KEY, 3/16 SQ X 1.375	1.000 EA
HA7000A04	KEY RETAINER 0.625 DIA SHAFTS	1.000 EA

Parts List (continued)		
Part Number	Description	Quantity
WD1000A16	2-520128-2 AMP FLAG TERMINAL(4M/RL)	7.000 EA
HW1000A08	#8 SAE FLAT WASHER	4.000 EA
10XF0440S02	04-40 X 1/8 TYPE F HEX HD STAINLESS STIC	2.000 EA
34BA4003J01	RESILIENT BASE, MODEL 34 NEMA 56	1.000 EA
SP5076SP	MODEL 34 TERMINAL PANEL WITH QUICK CONNE	1.000 EA
34GS5003A01	FOAM SLEEVE, ID = 2 1/16" X 4 3/8"	1.000 EA
33CB4800A02	CAPACITOR COVER, STAMPED	1.000 EA
35GS3001A02	GASKET, CA.COVER, 5.38 LONG .06 CS301	1.000 EA
ML14-8C18	18 AWG, 8,RED	10.000 IN
WD1000A16	2-520128-2 AMP FLAG TERMINAL(4M/RL)	2.000 EA
HA3169A21	THRUBOLT #8-32 THDS X 8.94 LONG	4.000 EA
LB1118	LABEL,WARNING (ROLL LABEL)	1.000 EA
MN416A01	TAG-INSTAL-MAINT no wire (1200/bx) 11/14	1.000 EA
LC0052	CONNECTION LABEL	1.000 EA
NP1257L	ALUM UL CSA CC THERMAL REV MTG	1.000 EA
35PA1066	PKG GRP, PRINT PK1008A06	1.000 EA

AC Induction Motor Performance Data

Record # 42880 - Typical performance - not guaranteed values

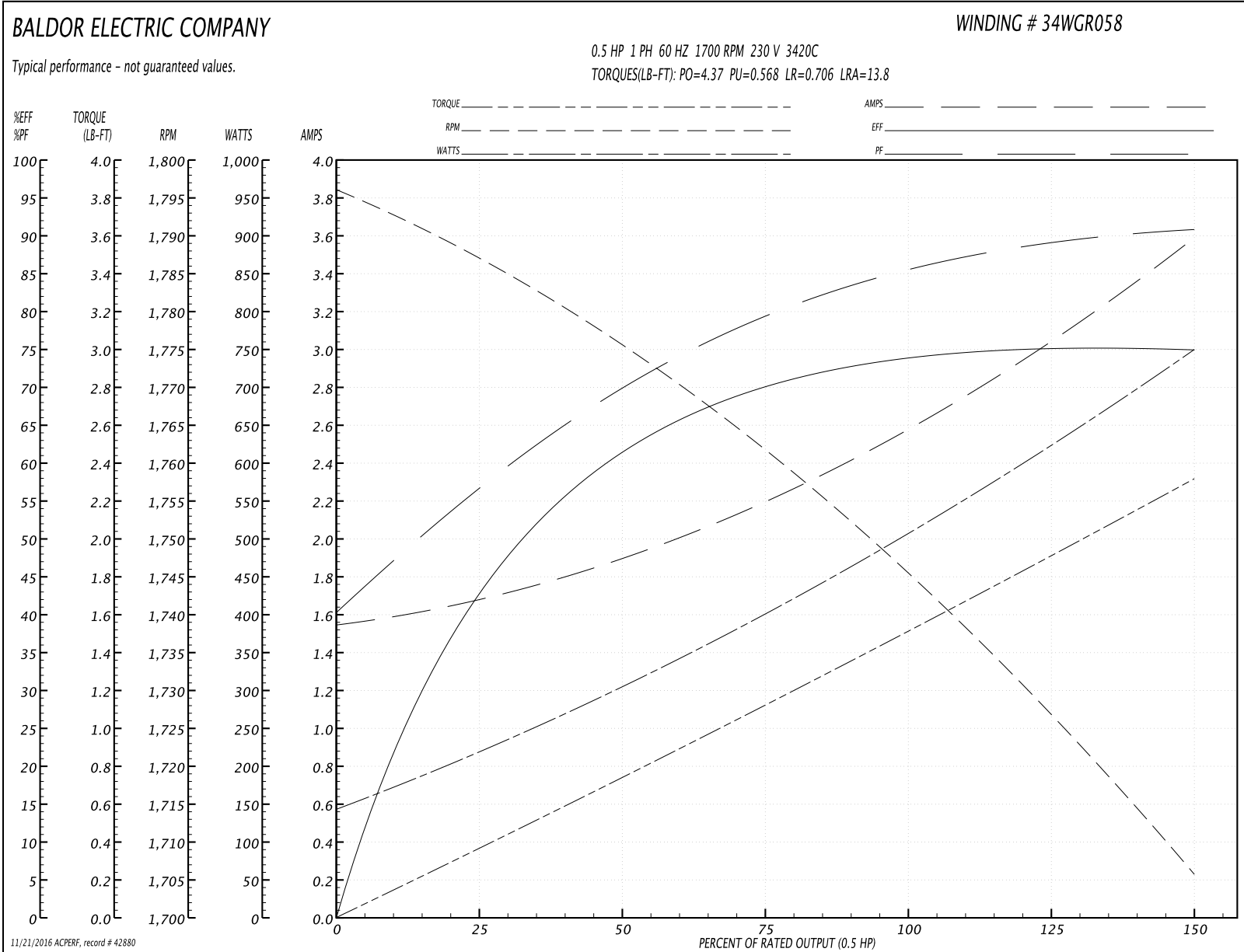
Winding: 34WGR058-R001	Type: 3420C	Enclosure: TEAO
-------------------------------	--------------------	------------------------

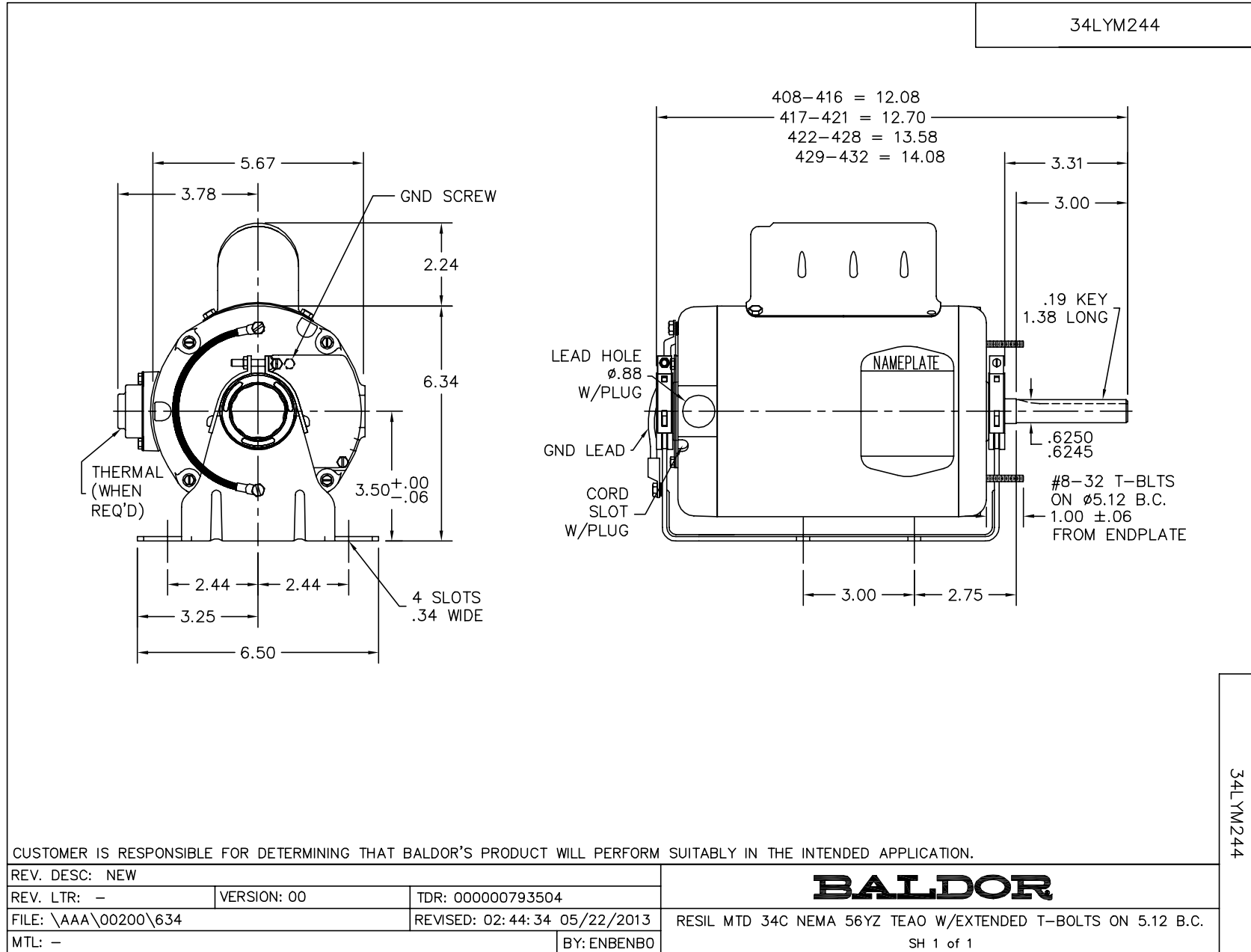
Nameplate Data				230 V, 60 Hz: High Voltage Connection	
Rated Output (HP)	.5 AIR OVER			Full Load Torque	1.54 LB-FT
Volts	115/230			Start Configuration	direct on line
Full Load Amps	5.2/2.6			Breakdown Torque	4.37 LB-FT
R.P.M.	1700			Pull-up Torque	0.568 LB-FT
Hz	60	Phase	1	Locked-rotor Torque	0.706 LB-FT
NEMA Design Code	-	KVA Code	H	Starting Current	13.8 A
Service Factor (S.F.)	1.15			No-load Current	1.57 A
NEMA Nom. Eff.	72	Power Factor	86	Line-line Res. @ 25°C	5.6083 Ω A Ph 4.1514 Ω B Ph
Rating - Duty	40C AMB-CONT			Temp. Rise @ Rated Load	

Load Characteristics 230 V, 60 Hz, 0.5 HP

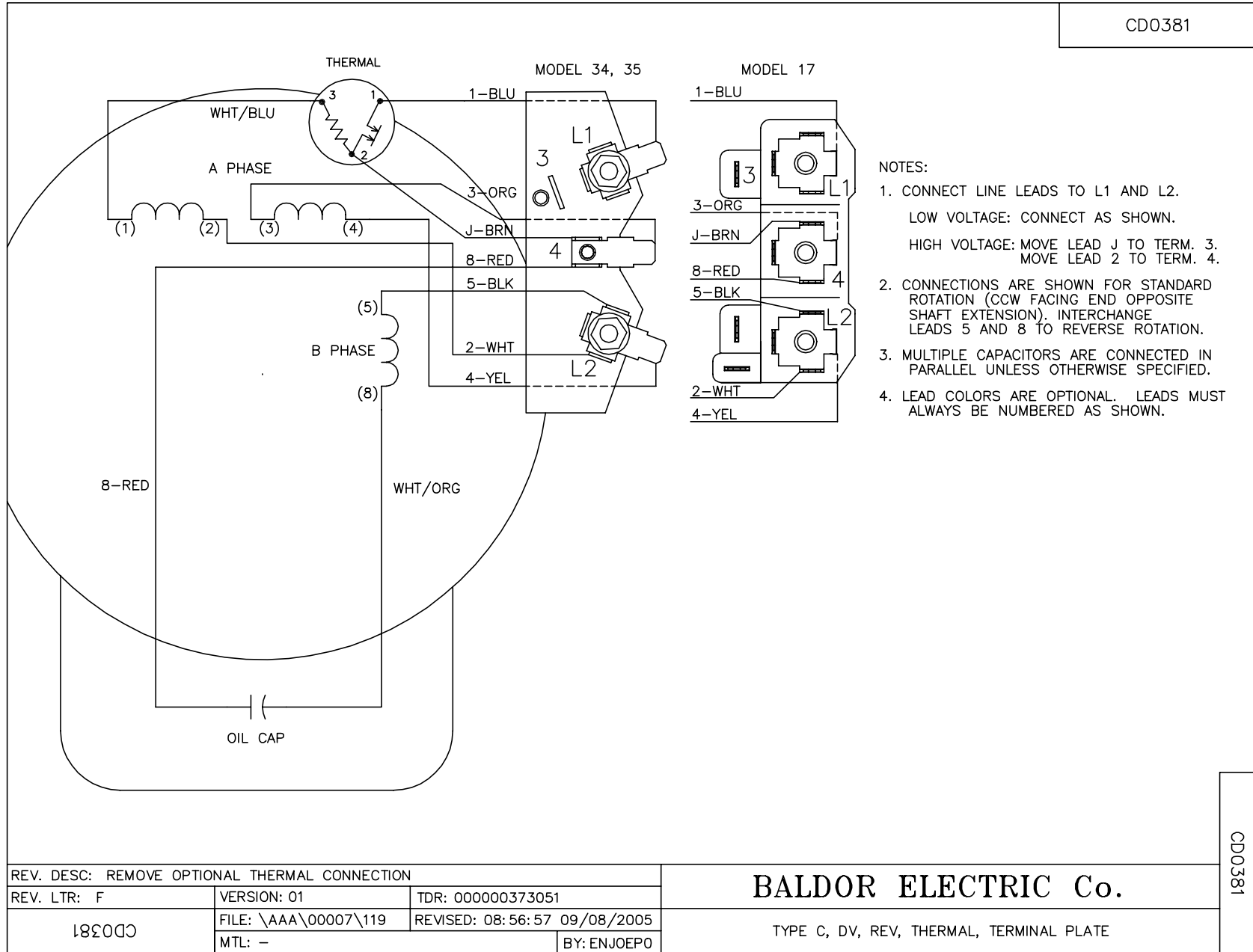
% of Rated Load	25	50	75	100	125	150	S.F.
Power Factor	58	70	80	86	89	91	88
Efficiency	44.4	64.9	69.5	73.4	75.1	75.3	74.4
Speed	1785.8	1775.6	1759.8	1744.3	1725.4	1705.7	1733
Line amperes	1.67	1.87	2.25	2.64	3.09	3.57	2.91

Performance Graph at 230V, 60Hz, 0.5HP Typical performance - Not guaranteed values





CD0381



CD0381

REV. DESC: REMOVE OPTIONAL THERMAL CONNECTION		
REV. LTR: F	VERSION: 01	TDR: 000000373051
182000	FILE: \AAA\00007\119	REVISED: 08:56:57 09/08/2005
	MTL: -	BY: ENJOEPO

BALDOR ELECTRIC Co.

TYPE C, DV, REV, THERMAL, TERMINAL PLATE