

# **BALDOR® • RELIANCE**

## **Product Information Packet**

# **EBM3218T**

**5HP,1750RPM,3PH,60HZ,184T,3640M,OPEN,F1**

Part Detail							
Revision:	E	Status:	PRD/A	Change #:		Proprietary:	No
Type:	AC	Prod. Type:	3640M	Elec. Spec:	36WGY404	CD Diagram:	CD0005
Enclosure:	OPEN	Mfg Plant:		Mech. Spec:	36B021	Layout:	36LYB021
Frame:	184T	Mounting:	F1	Poles:	04	Created Date:	04-09-2010
Base:	RG	Rotation:	R	Insulation:	F	Eff. Date:	10-26-2016
Leads:	9#16					Replaced By:	
Literature:		Elec. Diagram:					

Nameplate NP1259L										
CAT.NO.	EBM3218T									
SPEC.	36B021Y404G1									
HP	5									
VOLTS	230/460									
AMP	12.8/6.4									
RPM	1750									
FRAME	184T				HZ	60			PH	3
SER.F.	1.15		CODE	J	DES	B		CL	F	
NEMA-NOM-EFF	89.5		PF	81						
RATING	40C AMB-CONT									
CC	010A				USABLE AT 208V			13.6		
DE	6206				ODE	6205				
ENCL	OPEN		SN							

Parts List		
Part Number	Description	Quantity
SA193359	SA 36B021Y404G1	1.000 EA
RA180972	RA 36B021Y404G1	1.000 EA
36CB3004	36 CB CASTING W/1.09 DIA LEAD HOLE @ 6:0	1.000 EA
51XB1016A08	10-16X 1/2HXWSSLD SERTYB	2.000 EA
11XW1032G06	10-32 X .38, TAPTITE II, HEX WSHR SLTD U	1.000 EA
HW3001B01	BRASS CUP WASHER, FOR #8 SCREW	1.000 EA
36EP1403A18	FR EP, FACE OPEN W/BRAKE W/O TIGHTSLEEVE	1.000 EA
HW4500A01	1641B(ALEMITE)400 UNIV, GREASE FITT	1.000 EA
HW5100A05	WVY WSHR F/205 & 304 BRGS	1.000 EA
36PE3201A01	PU ENDPLATE, ASSEMBLY FOR ROUTING	1.000 EA
HW4500A01	1641B(ALEMITE)400 UNIV, GREASE FITT	1.000 EA
HW2501D08	KEY, 3/16 SQ X .875 AUTO	1.000 EA
36CB4516	36 LIPPED CB LID	1.000 EA
51XW0832A07	8-32 X .44, TAPTITE II, HEX WSHR SLTD SE	4.000 EA
HW2501E16	3KEY, 1/4 SQ X 1.750	1.000 EA
HA7000A02	KEY RETAINER RING, 1 1/8 DIA, 1 3/8 DIA	1.000 EA
85XU0407S04	4X1/4 U DRIVE PIN STAINLESS	2.000 EA
HW3200A01	3/8-16X3/4 I-BLT WELDED F/S	1.000 EA
MJ1000A02	GREASE, POLYREX EM EXXON (USe 4824-15A)	0.050 LB
MG1000Y03	MUNSELL 2.53Y 6.70/ 4.60, GLOSS 20,	0.022 GA
HA3101A28	THRUBOLT 1/4-20 X 12.500 OHIO ROD	4.000 EA
84XN3816J36	3/8-16X2-1/4 SOCK HD, BK OX	4.000 EA
76BK6100DQF	1-056-061-00-DQF BRAKE TDR 96653	1.000 EA
LB1115N	LABEL,LIFTING DEVICE (ON ROLLS)	1.000 EA

<b>Parts List (continued)</b>		
<b>Part Number</b>	<b>Description</b>	<b>Quantity</b>
LC0005E01	CONN.DIA./WARNING LABEL (LC0005/LB1119N)	1.000 EA
NP1259L	ALUM SUPER-E UL CSA-EEV CC NEMA PREMIUM	1.000 EA
G0PA1000	PKG GRP, PRINT PK1026A06	1.000 EA
MN416A01	TAG-INSTAL-MAINT no wire (1200/bx) 11/14	1.000 EA

**AC Induction Motor Performance Data**

Record # 53376 - Typical performance - not guaranteed values

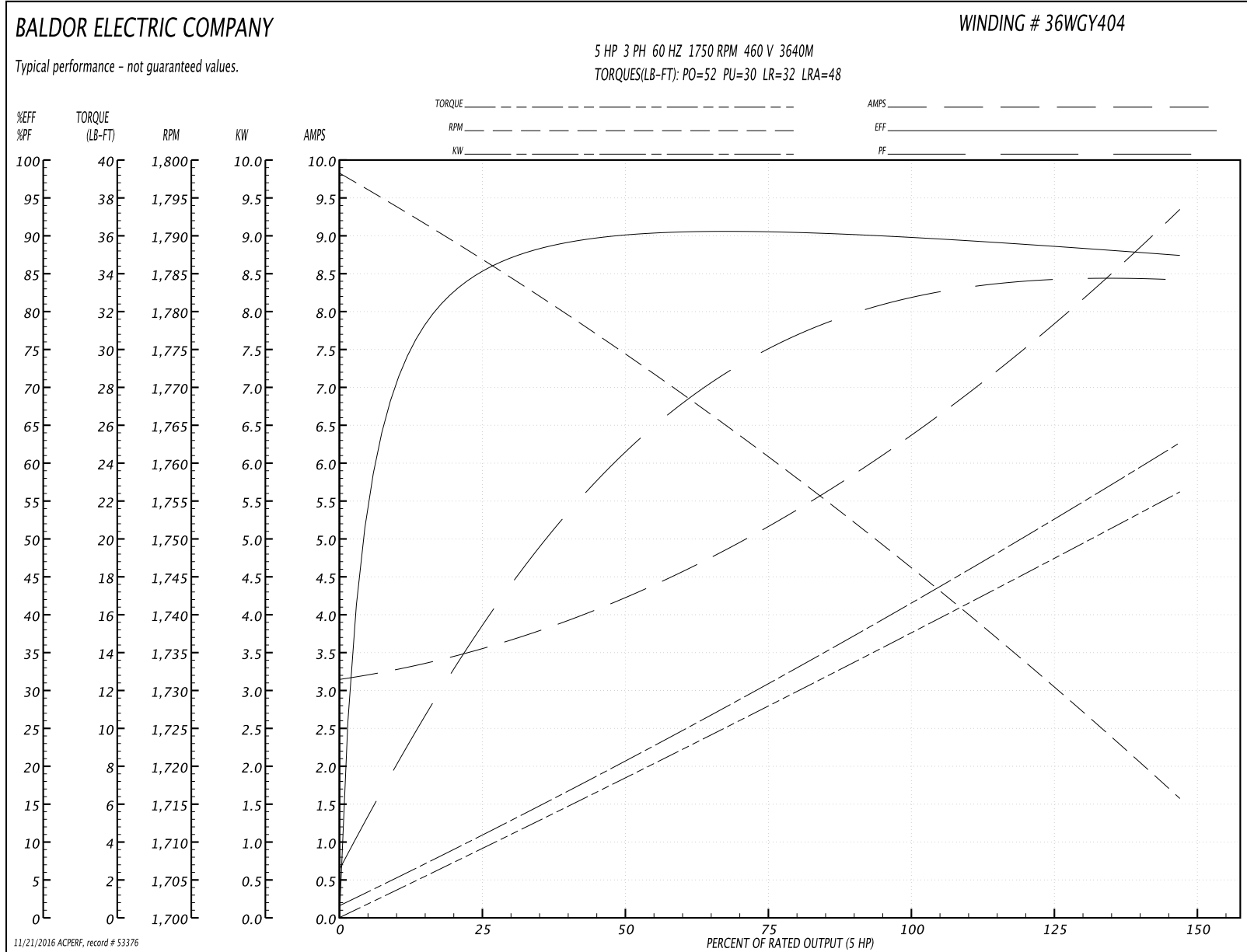
<b>Winding:</b> 36WGY404-R037	<b>Type:</b> 3640M	<b>Enclosure:</b> OPSB
-------------------------------	--------------------	------------------------

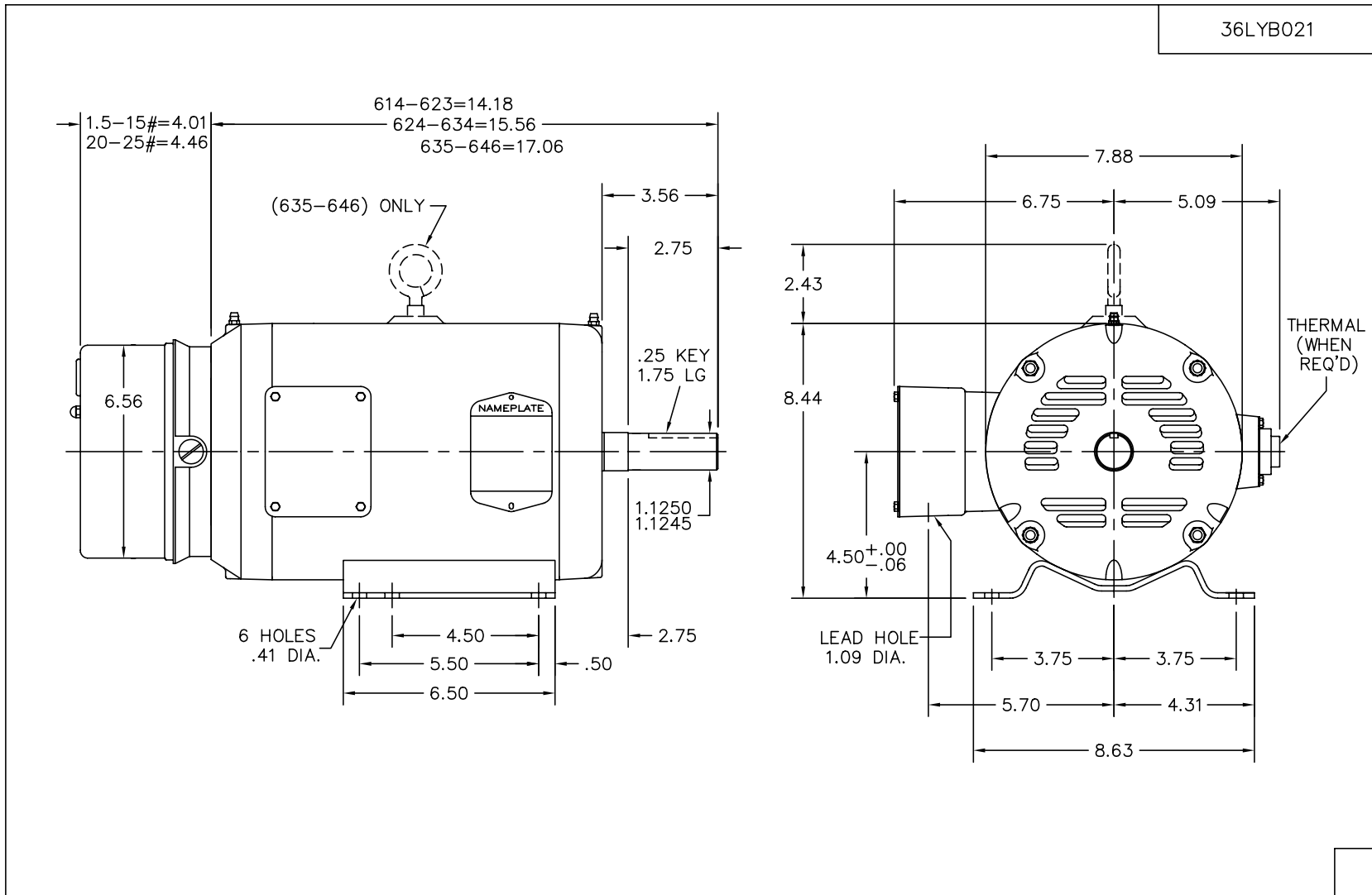
Nameplate Data				460 V, 60 Hz: High Voltage Connection	
Rated Output (HP)	5			Full Load Torque	15 LB-FT
Volts	230/460			Start Configuration	direct on line
Full Load Amps	12.8/6.4			Breakdown Torque	52 LB-FT
R.P.M.	1750			Pull-up Torque	30 LB-FT
Hz	60	Phase	3	Locked-rotor Torque	32 LB-FT
NEMA Design Code	B	KVA Code	J	Starting Current	48 A
Service Factor (S.F.)	1.15			No-load Current	3.2 A
NEMA Nom. Eff.	89.5	Power Factor	81	Line-line Res. @ 25°C	2.5 Ω
Rating - Duty	40C AMB-CONT			Temp. Rise @ Rated Load	38°C
S.F. Amps				Temp. Rise @ S.F. Load	46°C
				Locked-rotor Power Factor	52
				Rotor inertia	0.372 LB-FT <sup>2</sup>

Load Characteristics 460 V, 60 Hz, 5 HP

% of Rated Load	25	50	75	100	125	150	S.F.
Power Factor	38	61	73	81	84	86	83
Efficiency	85	89.8	90.5	90	88.8	87.3	89.3
Speed	1786	1773	1761	1747	1732	1715	1738
Line amperes	3.5	4.2	5.2	6.4	7.8	9.3	7.2

Performance Graph at 460V, 60Hz, 5.0HP Typical performance - Not guaranteed values





CUST. NAME		CUST. P.O.		CERTIFIED BY		MODEL		INSUL		AMB	
H.P.		MTG		TYPE		R.P.M.		VOLTS		ENCL	
PHASE		FREQ		FRAME							
REV. DESC: CHG'D TO HAVE NEW NEC CONDUIT BOX											
REV. LTR: G		BY: JD		REVISED: 05/19/99 3:57				TDR: 0181963			
36LYB021		FILE: AAA00003566				MDL: -					
		MTL: -				<b>BALDOR ELECTRIC Co.</b>					
STANDARD HORZ NEMA 182-4T OPEN 36M W/BRAKE											

36LYB021

CD0005



LOW VOLTAGE  
(2Y)



LINE

HIGH VOLTAGE  
(1Y)



LINE

NOTES:

1. INTERCHANGE ANY TWO LINE LEADS TO REVERSE ROTATION.
2. OPTIONAL THERMOSTATS ARE PROVIDED WHEN SPECIFIED.
3. ACTUAL NUMBER OF INTERNAL PARALLEL CIRCUITS MAY BE A MULTIPLE OF THOSE SHOWN ABOVE.
4. LEAD COLORS ARE OPTIONAL. LEADS MUST ALWAYS BE NUMBERED AS SHOWN.

REV. DESC: REVISE TO SHOW OPTIONAL COLORS			
REV. LTR: E	BY: JLP	REVISED: 01/19/99 10:15	TDR: 0171435
9000D		FILE: AAA00005140	MDL: -
		MTL: -	

**BALDOR ELECTRIC Co.**

3PH, DV, 9 LEADS

CD0005