

# **BALDOR**® • **RELIANCE**

## **Product Information Packet**

# **ECP84106T-4**

**20HP,3510RPM,3PH,60HZ,256T,0954M,TEFC,F1**

Part Detail							
Revision:	T	Status:	PRD/A	Change #:		Proprietary:	No
Type:	AC	Prod. Type:	0954M	Elec. Spec:	09WGT034	CD Diagram:	CD0006
Enclosure:	TEFC	Mfg Plant:		Mech. Spec:	09G557	Layout:	09LYG557
Frame:	256T	Mounting:	F1	Poles:	02	Created Date:	01-07-2014
Base:	RG	Rotation:	R	Insulation:	F	Eff. Date:	01-06-2017
Leads:	3#12					Replaced By:	
Literature:		Elec. Diagram:					

Nameplate NP3190										
STK.NO.	ECP84106T-4		P/N			ENCLOSURE	TEFC			
SPEC.	09G557T034		CC	010A	FRAME	256T	S/N			
HP	20		CLASS	F	HZ	60	ODE BRG	6309	DE BRG	6309
RPM	3510	RPM MAX	5400	PH	3	DES	B	D.E. BRG.	45BC03X30X	
VOLT	460		KVA-CODE	G		O.D.E. BRG.	45BC03X30X			
AMP	22		MOTOR WEIGHT	305		GREASE	POLYREX EM			
RATING	40C AMB-CONT		MAX. KVAR	2		BLANK				
NEMA-NOM-EFF	91.7	# OF ROTOR BARS	28	SER.F.	1.15		IP	56		
G.MIN.EFF	90.2	# OF STATOR SLOTS	36	PF	91		INV.TYPE	PWM		
TEMP CODE	T3		INVERTER-TEMP-CODE	200						
TEMP =	200		C HP FR	60	C HP TO	90				
CT HZ FROM	6	CT HZ TO	60							
HTR-VOLTS			HTR-AMPS			HTR-WATTS			MAX. SPACE HEATER TEMP.	
							VT HZ FROM	3	VT HZ TO	60

Parts List		
Part Number	Description	Quantity
SA274512	SA 09G557T034	1.000 EA
RA261097	RA 09G557T034	1.000 EA
37FN3002C02	EXFN, PLASTIC, 6.00 OD, 1.500 ID	1.000 EA
WD1000B16	T&B CX70TN TERMINAL	1.000 EA
10XN2520K06	1/4-20 X 3/8" HX HD SCREWGRADE 5, ZINC P	1.000 EA
HW1002A63	WASHER, 5/8 HI-COLLAR SPRLCKWASHER	1.000 EA
09CB1002A12P	KOBX W/1.25 NPT LEAD HOLE & 2.38 MTG HOL	1.000 EA
09GS1010	GASKET, DWG, LEADWIRE SEPERATOR	1.000 EA
10XN2520K12	1/4-20 X.75 GRD 5	4.000 EA
HW1001A25	LOCKWASHER 1/4, ZINC PLT .493 OD, .255 I	4.000 EA
WD1000B16	T&B CX70TN TERMINAL	1.000 EA
10XN2520K06	1/4-20 X 3/8" HX HD SCREWGRADE 5, ZINC P	1.000 EA
HW1001A25	LOCKWASHER 1/4, ZINC PLT .493 OD, .255 I	1.000 EA
HA3400A39	STUD- 3/8-16 X 6.19 OAL HEX WELKER	4.000 EA
HW1001A38	LOCKWASHER 3/8, ZINC PLT .688 OD, .382 I	4.000 EA
12CB1503A01P	KOLD MACH, W/LIP & EPOXY PRIMER	1.000 EA
12GS1002	GASKET, CONDUIT BOX LID, NEOP	1.000 EA
HW4601A61	INPRO SEAL #1698-A-17120-0, VBXX 309 BRG	1.000 EA
HW4500A20	1/8NPT SL PIPE PLUG	1.000 EA
HA4017A08	.125X3.50 GREASER EXTEN.	1.000 EA
HA4017A02	.125X2.50 GREASER EXTENS.F/S	1.000 EA
HW4019A01	PIPE COUPLING 1/8 NPT,STEEL,ZINC COATING	1.000 EA
HW4601A61	INPRO SEAL #1698-A-17120-0, VBXX 309 BRG	1.000 EA
HW5100A11	W3917-042 WVY WSHR (WB)	1.000 EA

Parts List (continued)		
Part Number	Description	Quantity
10XN2520K36	1/4-20 X 2.25" HX HD SCRWGRADE 5, ZINC P	4.000 EA
09EP1118A01P	PUEP MACH, 309 BRG.INPRO SEALS-EPOXY PRI	1.000 EA
HW4500A20	1/8NPT SL PIPE PLUG	1.000 EA
10XN3816K28	3/8-16 X 1.75 HEX HD CAP SCREW, GRADE 5	4.000 EA
HW1001A38	LOCKWASHER 3/8, ZINC PLT .688 OD, .382 I	4.000 EA
10XN2520K36	1/4-20 X 2.25" HX HD SCRWGRADE 5, ZINC P	4.000 EA
XY3816A12	3/8-16 FINISHED NUT	4.000 EA
HW1001A38	LOCKWASHER 3/8, ZINC PLT .688 OD, .382 I	4.000 EA
10XN3118K16	5/16-18 X 1' GRADE #5, STL, ZINC PLATE	2.000 EA
HW1001A31	LOCKWASHER 5/16, ZINC PLT.591 OD, .319 I	2.000 EA
MJ5004A59	ADHESIVE LOCTITE #401 SURFACE INSENSITIV	0.010 EA
HW2501G25	KEY, 3/8 SQ X 2.875	1.000 EA
MJ5001A14	DYNAPRO SEAL, CP MOTORS VC#2508050 (603	0.023 EA
LB1115N	LABEL,LIFTING DEVICE (ON ROLLS)	1.000 EA
MN416A01	TAG-INSTAL-MAINT no wire (1000/bx) 11/14	1.000 EA
WD1000B49	T&B C73,RING TERMINAL 10-12 AWG 3/8 STUD	3.000 EA
09EP1118A02GP6	FREP MACH, 309 BRG. EPOXY PRIMER	1.000 EA
HW4500A21	1618BALEMITE FITTING 825 UNIVERSAL	1.000 EA
HA4051A00	PLASTIC CAP FOR GREASE FITTING	1.000 EA
HW4500A17	317400 ALEMITE GREASE RELIEF	1.000 EA
HA4002A01	DRAIN PLUG STAINLESS STL	1.000 EA
MJ1000A02	GREASE, POLYREX EM EXXON (USe 4824-15A)	0.080 LB
HW4500A03	GREASE FITTING, .125 NPT 1610(ALEMITE) 8	1.000 EA
HA4051A00	PLASTIC CAP FOR GREASE FITTING	1.000 EA

Product Information Packet: ECP84106T-4 - 20HP,3510RPM,3PH,60HZ,256T,0954M,TEFC,F1

HW4500A17	317400 ALEMITE GREASE RELIEF	1.000 EA
HA4002A01	DRAIN PLUG STAINLESS STL	1.000 EA
HW2500A25	WOODRUFF KEY USA #1008 #BLOW CARBON STEE	1.000 EA
51XB1214A20	12-14X1.25 HXWSSLD SERTYB	1.000 EA
09FH1000GP6	FAN COVER, CAST W/EPOXY PRIMER & PAINT	1.000 EA
MJ5001A27	32220KN GRAY SEALER *MIN BUY 4 QTS=1GAL	0.031 QT
MG1025N19	WILKOFASST, 778.50, RELIANCE BLUE-GREEN	0.050 GA
85XU0407S04	4X1/4 U DRIVE PIN STAINLESS	4.000 EA
LB1449	DIV-2/NEC WARNING LABEL	1.000 EA
LB1119N	WARNING LABEL	1.000 EA
LC0006	CONNECTION LABEL	1.000 EA
NP3190	SS IEEE841 INV DIV-2 UL CSA-C US EEV	1.000 EA
40PA1005	PACKAGING GROUP, 09 STD	1.000 EA

**AC Induction Motor Performance Data**

Record # 46537 - Typical performance - not guaranteed values

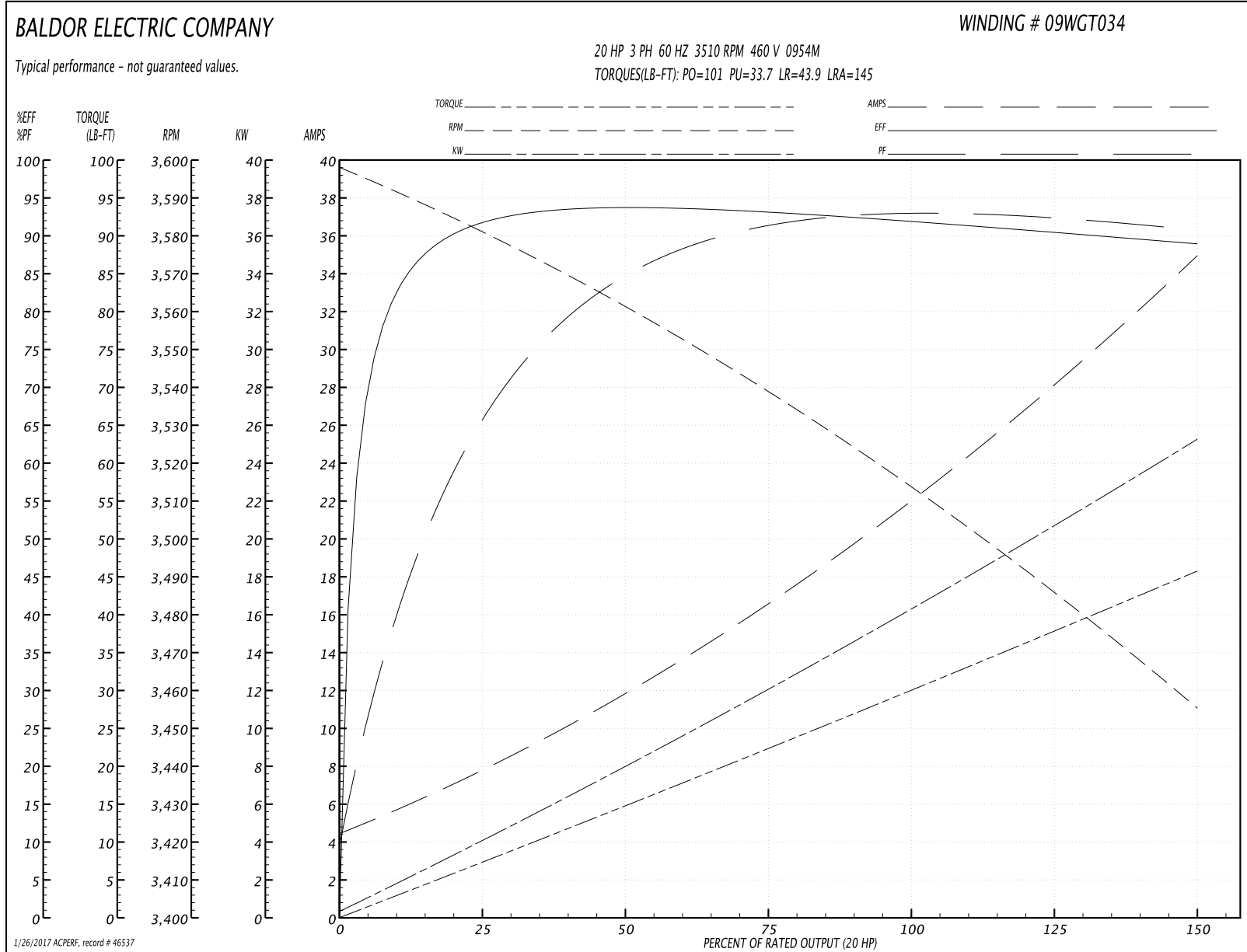
<b>Winding:</b> 09WGT034-R003	<b>Type:</b> 0954M	<b>Enclosure:</b> TEFC
-------------------------------	--------------------	------------------------

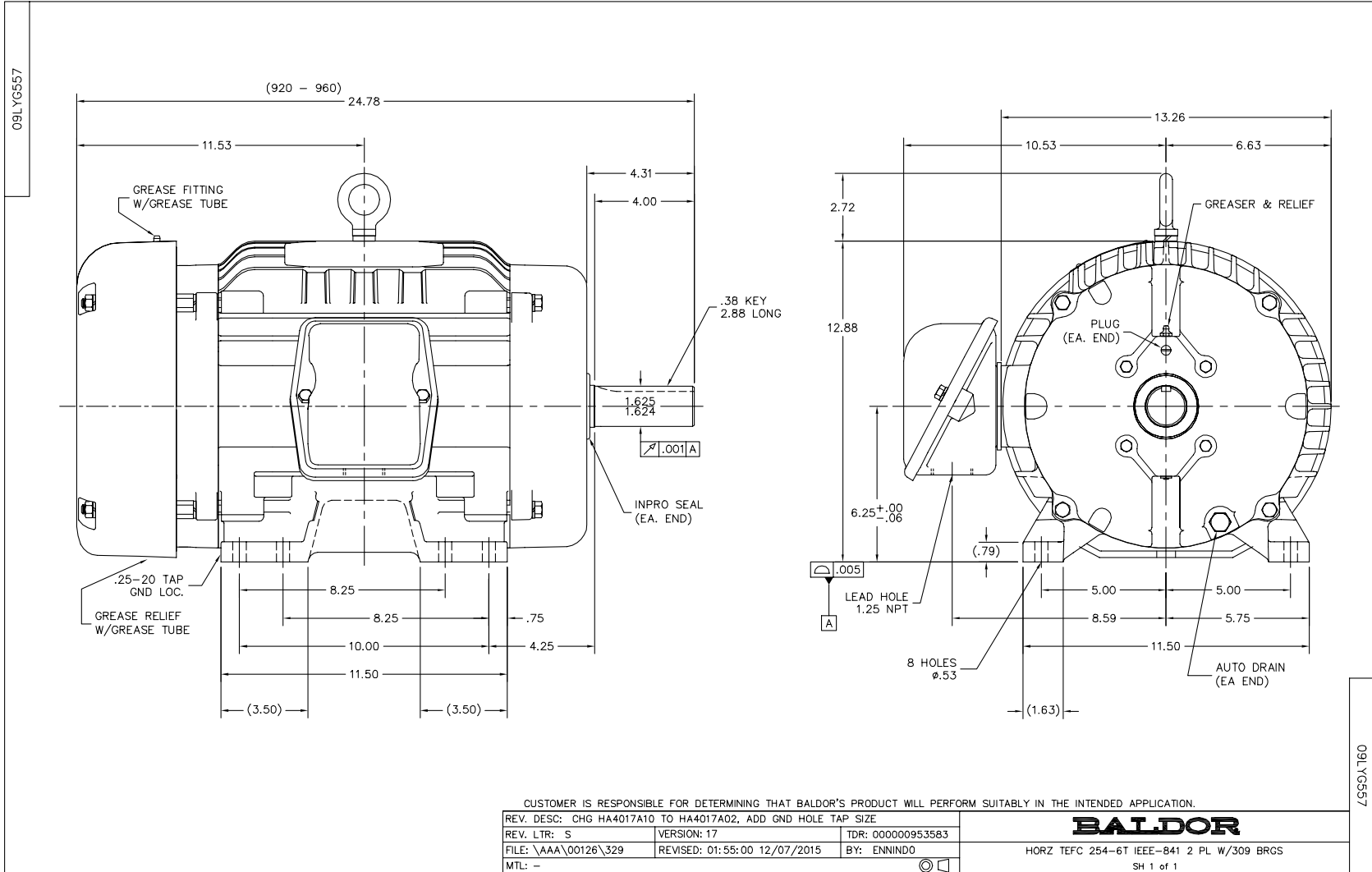
Nameplate Data				460 V, 60 Hz: Single Voltage Motor	
Rated Output (HP)	20			Full Load Torque	30.1 LB-FT
Volts	460			Start Configuration	direct on line
Full Load Amps	22			Breakdown Torque	101 LB-FT
R.P.M.	3510			Pull-up Torque	33.7 LB-FT
Hz	60	Phase	3	Locked-rotor Torque	43.9 LB-FT
NEMA Design Code	B	KVA Code	G	Starting Current	145 A
Service Factor (S.F.)	1.15			No-load Current	4.81 A
NEMA Nom. Eff.	91.7	Power Factor	91	Line-line Res. @ 25°C	0.45009 Ω
Rating - Duty	40C AMB-CONT			Temp. Rise @ Rated Load	68°C
S.F. Amps				Temp. Rise @ S.F. Load	87°C
				Locked-rotor Power Factor	27
				Rotor inertia	1.38 LB-FT <sup>2</sup>

Load Characteristics 460 V, 60 Hz, 20 HP

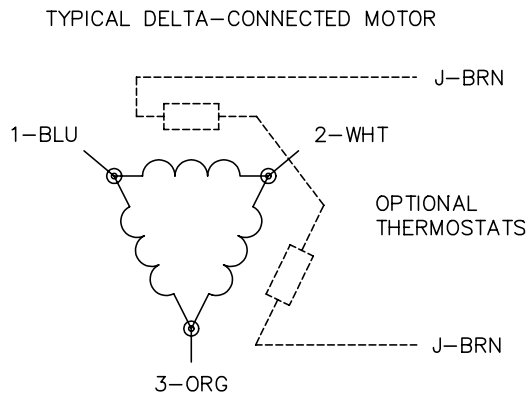
% of Rated Load	25	50	75	100	125	150	S.F.
Power Factor	72	87	91	91	92	92	92
Efficiency	91.4	93.3	93	92	90.6	88.9	91.2
Speed	3579.7	3560.2	3538.1	3514.3	3486.6	3454.4	3498
Line amperes	7.42	11.8	16.7	22.4	28.4	34.7	26

Performance Graph at 460V, 60Hz, 20.0HP Typical performance - Not guaranteed values





CD0006



NOTES:

1. THREE LEAD MOTOR MAY BE EITHER WYE CONNECTED OR DELTA CONNECTED.
2. INTERCHANGE ANY TWO LINE LEADS TO REVERSE ROTATION.
3. OPTIONAL THERMOSTATS ARE PROVIDED WHEN SPECIFIED.
4. ACTUAL NUMBER OF INTERNAL PARALLEL CIRCUITS MAY VARY.
5. LEAD COLORS ARE OPTIONAL. LEADS MUST BE NUMBERED AS SHOWN.

REV. DESC: REVISE TO SHOW OPTIONAL COLORS			
REV. LTR: D	BY: JLP	REVISED: 01/21/99 4:02	TDR: 0171435
9000D		FILE: AAA00005141	MDL: -
		MTL: -	

**BALDOR ELECTRIC Co.**

3PH, SV, 3 LEADS, WYE OR DELTA CONNECTED

CD0006