

BALDOR® • RELIANCE

Product Information Packet

ECP84402T-4

100HP,3565RPM,3PH,60HZ,405TS,A40060M,TEF

Part Detail							
Revision:	R	Status:	PRD/A	Change #:		Proprietary:	No
Type:	AC	Prod. Type:	A40060M	Elec. Spec:	A40WG0191	CD Diagram:	416820-036
Enclosure:	TEFC	Mfg Plant:		Mech. Spec:		Layout:	617429-512
Frame:	405TS	Mounting:	F1	Poles:	02	Created Date:	07-16-2013
Base:		Rotation:	R	Insulation:	F	Eff. Date:	09-07-2016
Leads:	3#2					Replaced By:	
Literature:		Elec. Diagram:					

Nameplate NP3237			
CAT NO	ECP84402T-4	SPEC NO.	P40G3913
HP	100	AMPS	110
FRAME SIZE	405TS	RPM	3565
D.E. BRG.DATA	6313	O.D.E. BRG.DATA	6313
D.E. BRG.	65BC03J30X	TYPE	P
O.D.E. BRG.	65BC03J30X	ENCL	TEFC
3/4 LOAD EFF.	95.2	IP	56
TEMP CODE	T3	TEMP =	200
CHP HZ	60-75	CT HZ	10-60
INVERTER-TEMP-CODE	T3	VT HZ	0-60
SER.NO.		MOTOR WEIGHT	1327
		VOLTS	460
		PH	3
		AMB	40
		POWER FACTOR	90
		MAX CORR KVAR	10
		DESIGN	B
		SF	1.15
		DUTY	CONT
		INSUL.CLASS	F
		NEMA-NOM-EFFICIENCY	95
		GUARANTEED EFFICIENCY	94.1

Nameplate 000613007EX

CAT NO	ECP84402T-4	SPEC NO.	P40G3913
NO. ROTOR BARS	38	GREASE TYPE	POLYREX EM
NO. SLOTS	48	NL AMPS AT RATED VOLTAGE	25.6
5 YEAR WARRANTY		WINDING RES @25 C	0.0527
MFG. DATE		SER.NO	
			OHMS

Parts List		
Part Number	Description	Quantity
SA267704	SA P40G3913	1.000 EA
RA254374	RA P40G3913	1.000 EA
NP3237	SS SUPER E INVERTER DUTY IEEE 841	1.000 EA
000613007EX	SS IEEE 841 EMBOSSED AUXILIARY NAMEPLATE	1.000 EA
000692000FF	N/P	1.000 EA
000692000JP	N/P	1.000 EA
000692000VD	LABEL WARNING	1.000 EA
000692000VH	N/P	1.000 EA
004824015A	GREASE POLYREX EM	0.544 LB
032018008CK	HHCS 3/8-16X1L PLATED	4.000 EA
032018020EK	HHCS 5/8-11X2-1/2 PLTD.	4.000 EA
032018022CK	HHCS 3/8-16X2-3/4 PLTD	3.000 EA
034000014AB	WSH ID.406 OD.812 TH.065	4.000 EA
034180008DA	KEY 1/4X1/4X1 L (shipping)	1.000 EA
034530056BB	P/NIP 1/4X7 SCHED 40	1.000 EA
034530056AB	1/8 X 7 PP NIPPLE	1.000 EA
034631002AB	BUSH 1/4 TO 1/8 PLTD.	1.000 EA
702675001D	FAN 250-440	1.000 EA
083198101A	G400 STD FAN COVER MACHINING	1.000 EA
034692005AA	P PLUG 3/4"BLK.	1.000 EA
089413501B	G400 6313 FT MNT BRKT MCHG W/ INPRO	1.000 EA
035000001G	GREASE RELIEF FITTING, ALEMITE 317400	1.000 EA
410700004F	WSHR	1.000 EA
412118006A	DRAIN	1.000 EA

Parts List (continued)		
Part Number	Description	Quantity
415028021E	SEAL	1.000 EA
415072001B	CLAMP	1.000 EA
415096002A	CPLG 1/8 HEX TYPE	1.000 EA
423709011C	WASHER	3.000 EA
034600001AA	BUSH 1/4TO1/8 BLACK	1.000 EA
034600001AA	BUSH 1/4TO1/8 BLACK	1.000 EA
032018020EK	HHCS 5/8-11X2-1/2 PLTD.	4.000 EA
032018022CK	HHCS 3/8-16X2-3/4 PLTD	3.000 EA
034530040AB	P/NIP 1/8X5 GALV.	1.000 EA
034530040BB	P/NIP 1/4X5	1.000 EA
034631002AB	BUSH 1/4 TO 1/8 PLTD.	1.000 EA
089413501B	G400 6313 FT MNT BRKT MCHG W/ INPRO	1.000 EA
035000001G	GREASE RELIEF FITTING, ALEMITE 317400	1.000 EA
412118006A	DRAIN	1.000 EA
415028021E	SEAL	1.000 EA
415096002A	CPLG 1/8 HEX TYPE	1.000 EA
423709011C	WASHER	3.000 EA
032018010CK	HHCS 3/8-16X1-1/4 PLTD.	4.000 EA
033512008LB	HHTTS 1/4-20X1 PLATED	4.000 EA
034000014AB	WSH ID.406 OD.812 TH.065	4.000 EA
035000001A	ALFTG 1/8" 1610-BL	1.000 EA
035000001A	ALFTG 1/8" 1610-BL	1.000 EA
067053000B	GASK 320-400	1.000 EA
076708000BB	C/B - 360	1.000 EA

Product Information Packet: ECP84402T-4 - 100HP,3565RPM,3PH,60HZ,405TS,A40060M,TEF

076709000A	C/B - 360	1.000 EA
406099000A	PLUG - FAN COVER 320-440	1.000 EA
415000103H	TERMINAL LUG	1.000 EA
415039016A	TERBD, 360-400	1.000 EA
418150003A	GREASE FITTING CAP	1.000 EA
418150003A	GREASE FITTING CAP	1.000 EA
033775004EA	DRSCR #6-1/4 304 S.S.	4.000 EA
034180022GA	KEY 1/2X1/2X2-3/4 L	1.000 EA
MG1025N19	WILKO 778.50 BLUE GREEN - 55 GAL DRUMS	0.375 GA
004824003CBY	WILKO PAINT 060.02 - ACTIVATOR	0.063 GA
482403003BEF	RUST VETO 342	0.013 GA
MG1500G03-5	LACQUER PRIMER, GRAY	0.063 GA
421948051	LABEL, MYLAR	1.000 EA
604797045	STD. 400 FRAME SKID	1.000 EA
000613006PU	N/P (RELEASE QTY 10,000) UL CSA LABEL	1.000 EA
LB1449	DIV-2/NEC WARNING LABEL	1.000 EA
032018005DL	1/2-13 X 5/8 SILICON BRONZE HHCS	1.000 EA

REL. S.O.	FRAME	HP	TYPE	PHASE/HERTZ	RPM	VOLTS
	405TS	100	P	3/60	3565	460
AMPS	DUTY	AMB °C/INSUL.	S.F.	NEMA DESIGN	CODE LETTER	ENCL.
110	CONT	40/F	1.15	B	F	TEFC
E/S	ROTOR	TEST S.O.	TEST DATE	STATOR RES. @25 °C OHMS (BETWEEN LINES)		
596930	418142005PE	---	---	.0526		

PERFORMANCE


LOAD	HP	AMPERES	RPM	POWER FACTOR %	EFFICIENCY %
NO LOAD	0	25.6	3600	7.58	0
1/4	25.0	36.7	3591	69.7	91.7
2/4	50.0	57.7	3582	85.8	94.6
3/4	75.1	82.7	3572	89.3	95.1
4/4	100	110	3563	89.9	95.0
5/4	125	137	3552	90.2	94.5

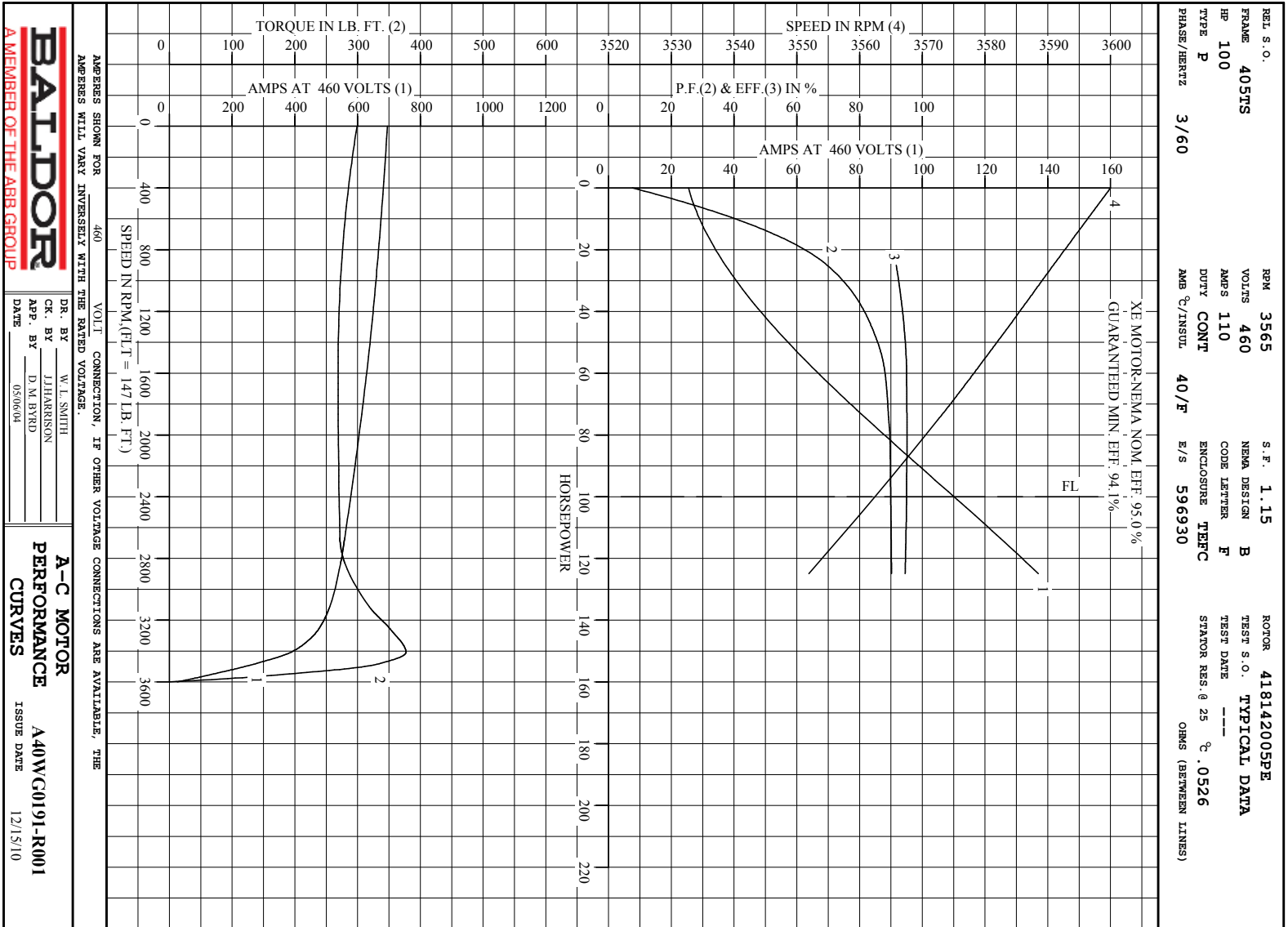
SPEED TORQUE

	RPM	TORQUE % FULL LOAD	TORQUE LB.-FT.	AMPERES
LOCKED ROTOR	0	203	299	695
PULL UP	1545	182	269	632
BREAKDOWN	3408	256	377	387
FULL LOAD	3563	100	147	110

AMPERES SHOWN FOR 460. VOLT CONNECTION. IF OTHER VOLTAGE CONNECTIONS ARE AVAILABLE, THE AMPERES WILL VARY INVERSELY WITH THE RATED VOLTAGE

REMARKS: TYPICAL DATA
 XE MOTOR-NEMA NOM. EFF. 95.0 %
 GUARANTEED MIN. EFF. 94.1 %

 <p>A MEMBER OF THE ABB GROUP</p>	DR. BY <u>W. I. SMITH</u> CK. BY <u>J. J. HARRISON</u> APP. BY <u>D. M. BYRD</u> DATE <u>05/06/04</u>	A-C MOTOR PERFORMANCE DATA A40WG0191-R001 ISSUE DATE 12/15/10
--	--	--



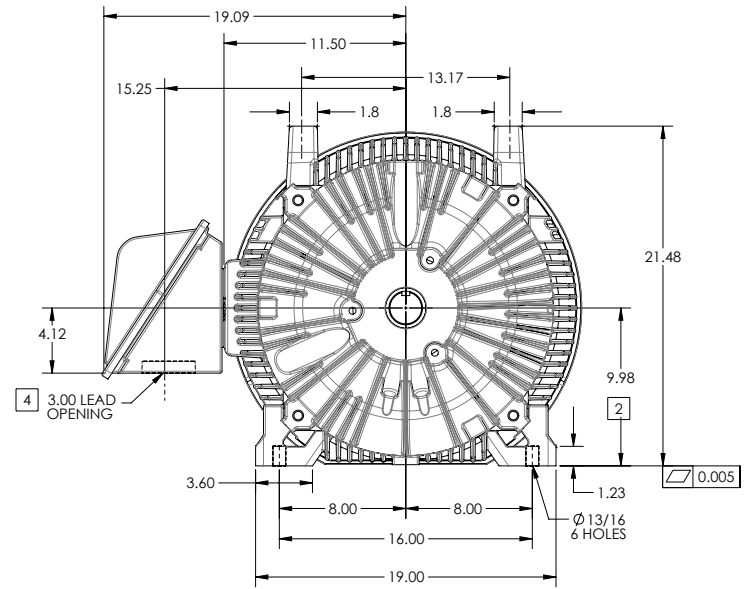
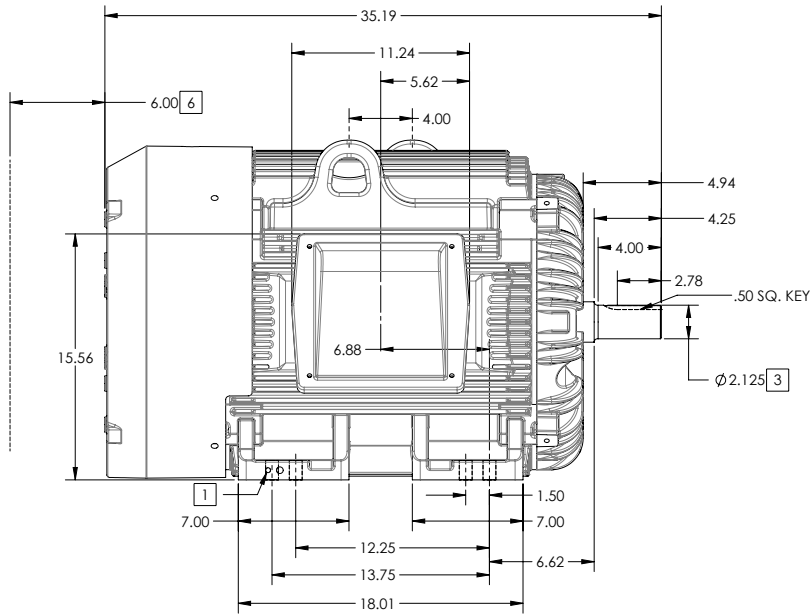
Printed on 1/3/17 10:37 @ bengap01.baldor.com

DUTY MASTER ALTERNATING CURRENT MOTORS
SQUIRREL-CAGE INDUCTION

ENCLOSURE: TOTALLY ENCLOSED
MOUNTING: FOOT

FRAME G405TS ABOVE NEMA RATINGS
INCLUDES 404TS FRAME MOUNTING HOLES

COOLING: FAN COOLED
841XL ENCLOSURE ENHANCEMENT



1. GROUND HOLES QTY 1 1/2-13 TAP; QTY 1 3/8-16 TAP
2. VARIES +.00,-.06
3. VARIES +.00,-.001
4. ON STANDARD MOTORS THIS IS CONDUIT SIZE. ON XT AND CORROSION PROOF MOTOR THIS IS PIPE TAP.
5. MOTOR WEIGHTS MAY VARY BY 15% DEPENDING ON RATING.
6. OBSTRUCTION MUST NOT ENCROACH ON AIR INLET

[5] WEIGHT (LBS): 1160

CONDUIT BOX LOCATED ON OPPOSITE SIDE WHEN F-2.
IF MOUNTING CLEARANCE DETAILS ARE REQUIRED, CONSULT FACTORY.
MAXIMUM PERMISSIBLE SHAFT RUNOUT WHEN MEASURED AT END OF STANDARD SHAFT EXTENSION IS .0015" T.I.R. TO 5 INCH DIA.

DIMENSIONS ARE IN INCHES; SEE SHEET 2 FOR DIMENSIONS IN MILLIMETERS

CUSTOMER IS RESPONSIBLE FOR DETERMINING THAT MOTOR PERFORMANCE IS SUITABLE IN THE APPLICATION.

SHEET NUMBER
1 OF 2

215-627219

REV. DESC: CHANGE BA FROM 6.76 TO 6.62	TDR: 00000848770
REV: B VERSION: 02	REVISED: 04/20/04/14/2014
MODEL NO. 617429-512	REF:
BY: MGHMMZ	Material:

BALDOR

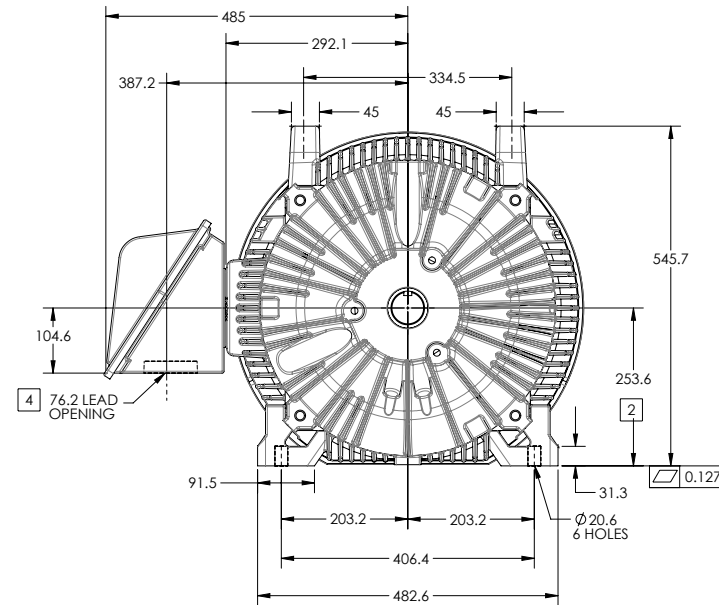
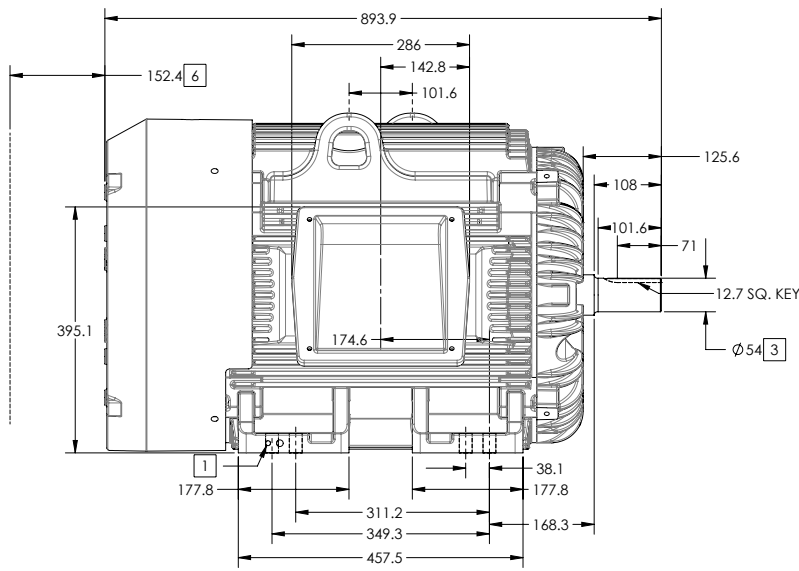
G405TS-404TS STD - FOOTED - 841XL ECP SEVERE DUTY ENCLOSURE

DUTY MASTER ALTERNATING CURRENT MOTORS
SQUIRREL-CAGE INDUCTION

ENCLOSURE: TOTALLY ENCLOSED
MOUNTING: FOOT

FRAME G405TS ABOVE NEMA RATINGS
INCLUDES 404TS FRAME MOUNTING HOLES

COOLING: FAN COOLED
841XL ENCLOSURE ENHANCEMENT



1. GROUND HOLES QTY 1 1/2-13 TAP; QTY 1 3/8-16 TAP
2. VARIES +0,-1.5
3. VARIES +00,-.03
4. ON STANDARD MOTORS THIS IS CONDUIT SIZE. ON XT AND CORROSION PROOF MOTOR THIS IS PIPE TAP.
5. MOTOR WEIGHTS MAY VARY BY 15% DEPENDING ON RATING.
6. OBSTRUCTION MUST NOT ENCROACH ON AIR INLET

[5] WEIGHT (KGS): 530

CONDUIT BOX LOCATED ON OPPOSITE SIDE WHEN F-2.
IF MOUNTING CLEARANCE DETAILS ARE REQUIRED, CONSULT FACTORY.
MAXIMUM PERMISSIBLE SHAFT RUNOUT WHEN MEASURED AT END OF STANDARD SHAFT EXTENSION IS .04 MM T.I.R. TO 127 MM DIA.

DIMENSIONS ARE IN MILLIMETERS; SEE SHEET 1 FOR DIMENSIONS IN INCHES

CUSTOMER IS RESPONSIBLE FOR DETERMINING THAT MOTOR PERFORMANCE IS SUITABLE IN THE APPLICATION.

SHEET NUMBER
2 OF 2

Z15-627219

REV. DESC: CHANGE BA FROM 6.76 TO 6.62	TDR: 00000848770
REV: B VERSION: 02	REVISED: 04/25/20 04/14/2014
MODEL NO. 617429-512	REF:
BY: MGHMMZ	Material:

BALDOR

G405TS-404TS STD - FOOTED - 841XL ECP SEVERE DUTY ENCLOSURE

416820-036

A-C MOTOR
 CONNECTION DIAGRAM
 STANDARD 3 LEAD CONNECTED



(N.P. 1575-BA)

416820-036

REV. DESC: LOADED TO BUS, C/R 335225		
REV. LTR: -	VERSION: 00	TDR: 000000538207
FILE: \MGA\00000\682	REVISED: 11:54:06 04/30/2010	
MTL: -	BY: RAGRA	

BALDOR

CONN DIAG - STANDARD 3 LEAD

SH 1 of 1

Marketing maintained PDF of MN408:

<http://www.baldor.com/support/Literature/Load.ashx/MN408?ManNumber=MN408>

Marketing maintained PDF of MN416:

<http://www.baldor.com/support/Literature/Load.ashx/MN416?ManNumber=MN416>