

BALDOR® • ***RELIANCE***

Product Information Packet

EM2551T-8

75HP,1780RPM,3PH,60HZ,365T,A36056M,DP,F1

Part Detail							
Revision:	H	Status:	PRD/A	Change #:		Proprietary:	No
Type:	AC	Prod. Type:	A36056M	Elec. Spec:	A36WG1039	CD Diagram:	416820-015
Enclosure:	DP	Mfg Plant:		Mech. Spec:		Layout:	611750-501
Frame:	365T	Mounting:	F1	Poles:	04	Created Date:	09-23-2011
Base:		Rotation:	R	Insulation:	B	Eff. Date:	09-26-2016
Leads:	6#2					Replaced By:	
Literature:		Elec. Diagram:					

Nameplate NP2377L									
CAT.NO.	EM2551T-8	SPEC NO.	P36G3422						
HP	75	AMPS	199	VOLTS	200	DESIGN	B		
FRAME	365T	RPM	1780	HZ	60	AMB	40	SF	1.15
DRIVE END BEARING	65BC03J30X	PHASE	3	DUTY	CONT	INSUL.CLASS	F		
OPP D.E. BEARING	65BC03J30X	TYPE	P	ENCL	DP	CODE	G		
SER.NO.		POWER FACTOR	86	NEMA-NOM-EFFICIENCY	95				
		MAX CORR KVAR	15	GUARANTEED EFFICIENCY	94.5				
		NEMA NOM/CSA QUOTED EFF							
		MOTOR WEIGHT	783						

Nameplate NP2496L	
MOBIL POLYREX EM	

Parts List		
Part Number	Description	Quantity
SA231159	SA P36G3422	1.000 EA
RA218176	RA P36G3422	1.000 EA
NP2377L	SS SUPER-E CC CSA-C US CSA-EEV (LASER)	1.000 EA
034180034HA	KEY 5/8X5/8X4-1/4 L	1.000 EA
415045002E	SLGR	1.000 EA
032376004JB	RHMS 10-32X1/2PLTD-360	3.000 EA
032376004JB	RHMS 10-32X1/2PLTD-360	3.000 EA
HW1000A32	5/16 FL WASHER WIDE, ID=.344, OD=1.125	3.000 EA
032509020C	CARRIAGE BOLT - 360	3.000 EA
421948058	LABEL, MYLAR	1.000 EA
035000001A	ALFTG 1/8" 1610-BL	1.000 EA
034690002AB	"unbulked" PPLG 1/4" PLTD.	1.000 EA
034017009AB	LCKW NO.10 PLATED-360	3.000 EA
034001009AB	WSHR #10 PLATED-360	3.000 EA
085920052A	BRKT 360 085920051WCC KB	1.000 EA
085920052A	BRKT 360 085920051WCC KB	1.000 EA
078556001A	BAFFL 360 SUB PAINT	1.000 EA
032018028DK	HHCS 1/2-13X3-1/2 PLTD.	4.000 EA
032018024CK	HHCS 3/8-16X3 PLTD.	3.000 EA
076708000BB	C/B - 360	1.000 EA
065776000C	TERBD 320-400	1.000 EA
076709000A	C/B - 360	1.000 EA
067053000B	GASK 320-400	1.000 EA
032018010CK	HHCS 3/8-16X1-1/4 PLTD.	4.000 EA

Parts List (continued)		
Part Number	Description	Quantity
033512008LB	HHTTS 1/4-20X1 PLATED	4.000 EA
034000014AB	WSH ID.406 OD.812 TH.065	4.000 EA
033512004LB	HHTTS 1/4-20X1/2 PLTD.	1.000 EA
415000103D	T/LUG #4AWG-1/0AWG W/HOLE FOR .250 BOLT	1.000 EA
078556001A	BAFFL 360 SUB PAINT	1.000 EA
032018028DK	HHCS 1/2-13X3-1/2 PLTD.	4.000 EA
048897010DG	PLUG,ODE BRKT - 360	1.000 EA
048977006J	GRFTG - 440	1.000 EA
034017009AB	LCKW NO.10 PLATED-360	3.000 EA
032018024CK	HHCS 3/8-16X3 PLTD.	3.000 EA
034001009AB	WSHR #10 PLATED-360	3.000 EA
035000001A	ALFTG 1/8" 1610-BL	1.000 EA
034690002AB	"unbulked" PPLG 1/4" PLTD.	1.000 EA
410700004F	WSHR	1.000 EA
033775004EA	DRSCR #6-1/4 304 S.S.	2.000 EA
000613006PU	N/P (RELEASE QTY 10,000) UL CSA LABLE	1.000 EA
000692000VD	LABEL WARNING	1.000 EA
004824015A	GREASE POLYREX EM	0.540 LB
MG1000Y03	MUNSELL 2.53Y 6.70/ 4.60, GLOSS 20,	0.250 GA
NP2496L	MOTOR LUBE NAMEPLATE	1.000 EA
14PA1000	PACKAGING 314 GROUP COMBINED PRINT	1.000 EA

Accessories		
Part Number	Description	Multiplier
14-1401	C FACE KIT	
14EP1601A01SP	D-FLANGE KIT	A8

REL. S.O.	FRAME	HP	TYPE	PHASE/HERTZ	RPM	VOLTS
	365T	75	P	3/60	1780	200
AMPS	DUTY	AMB °C/INSUL.	S.F.	NEMA DESIGN	CODE LETTER	ENCL.
199	CONT	40/B	1.15	B	G	PBXE
E/S	ROTOR	TEST S.O.	TEST DATE	STATOR RES. @25 °C (OHMS (BETWEEN LINES))		
491496	418141-34-YE	---	---	.0170		

PERFORMANCE


LOAD	HP	AMPERES	RPM	POWER FACTOR %	EFFICIENCY %
NO LOAD	0	70.0	1800	3.67	0
1/4	18.8	84.2	1796	51.5	93.2
2/4	37.5	115	1791	73.5	95.3
3/4	56.2	155	1786	82.1	95.4
4/4	75.0	199	1781	85.5	95.0
5/4	93.8	248	1775	86.5	94.3

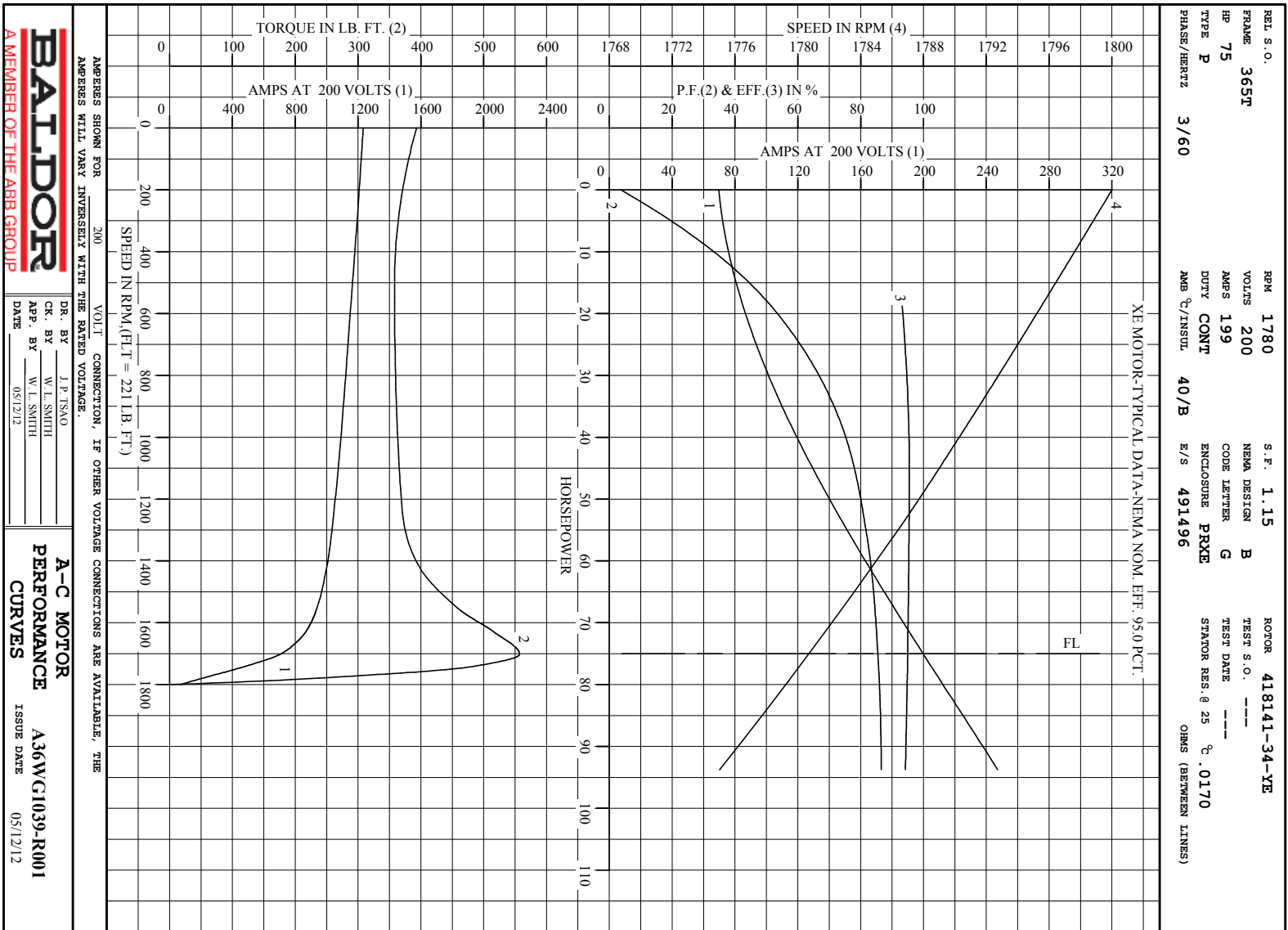
SPEED TORQUE

	RPM	TORQUE % FULL LOAD	TORQUE LB.-FT.	AMPERES
LOCKED ROTOR	0	178	393	1233
PULL UP	506	162	358	1164
BREAKDOWN	1701	252	557	706
FULL LOAD	1781	100	221	199

AMPERES SHOWN FOR 200. VOLT CONNECTION. IF OTHER VOLTAGE CONNECTIONS ARE AVAILABLE, THE AMPERES WILL VARY INVERSELY WITH THE RATED VOLTAGE

REMARKS : XE MOTOR-TYPICAL DATA-NEMA NOM. EFF. 95.0 PCT.

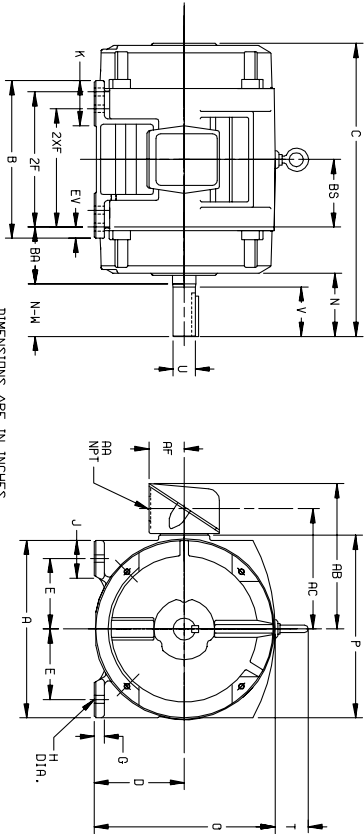
 A MEMBER OF THE ABB GROUP	DR. BY <u>J. P. TSNO</u> CR. BY <u>W. I. SMITH</u> APP. BY <u>W. I. SMITH</u> DATE <u>05/12/12</u>	A-C MOTOR PERFORMANCE DATA A36WG1039-R001 ISSUE DATE 05/12/12
----------------------------------------------------------------------------------------------------------------	-------------------------------------------------------------------------------------------------------------	------------------------------------------------------------------------



Printed on 6/18/15 12:24 @ bengap01.baldor.com

611750-501

DUTY MASTER ALTERNATING CURRENT MOTORS
 SQUIRREL-CAGE INDUCTION
 CAST IRON CONSTRUCTION
 ENCLOSURE: PROTECTED
 MOUNTING: FOOT
 COOLING: SELF-VENTILATED
 FRAMES 250T THRU 440T



DIMENSIONS ARE IN INCHES

FRAME	A	DIG2	E	G	H	J	K	D	P	T	CAST IRON TERMINAL BOX						EV
254T-256T	12.50	6.25	5.00	6.9	5.6	2.25	3.50	12.61	12.69	2.44	1-1/4	10.25	8.25	2.50	4.25	6.2	
284T-286T	14.00	7.00	5.50	7.5	5.6	2.75	3.75	14.12	14.31	2.44	1-1/2	12.06	9.62	3.19	4.75	1.00	
324T-326T	15.75	8.00	6.25	8.8	6.9	3.12	4.00	16.10	16.42	2.44	2	14.75	11.00	3.62	5.25	1.00	
364T-365T	17.00	9.00	7.00	9.8	6.9	3.00	3.62	18.30	19.56	2.94	3	18.00	13.81	4.12	5.88	1.00	
404T-405T	19.00	10.00	8.00	11.2	8.1	3.25	4.75	20.56	21.81	2.94	3	19.00	14.81	3.12	6.62	1.12	
444T-445T	21.00	11.00	9.00	12.8	8.1	3.25	5.25	22.91	23.62	3.25	3	21.44	16.69	5.00	7.50	1.25	

FRAME	C	BS	B	ZF	2XF	N	2XF	N	SHAFT AND KEY				WEIGHT
SIZE	22.44	5.00	11.25	---	8.25	4.25	4.00	1.625	3.75	3.75	3.75	2.75	2.65
254T	22.44	5.00	11.25	---	8.25	4.25	4.00	1.625	3.75	3.75	3.75	2.75	2.75
256T	22.44	5.00	11.25	---	8.25	4.25	4.00	1.625	3.75	3.75	3.75	2.75	2.75
284T	24.94	5.50	13.00	---	9.50	4.88	4.62	1.875	4.38	5.00	5.00	3.25	3.40
284T	23.96	5.50	13.00	---	9.50	3.50	3.25	1.625	3.00	3.75	1.88	3.40	3.40
286T	24.94	5.50	13.00	---	9.50	4.88	4.62	1.875	4.38	5.00	3.75	3.25	3.70
286T	23.96	5.50	13.00	---	9.50	3.25	3.25	1.625	3.00	3.75	1.88	3.70	3.70
324T	27.96	6.00	14.00	---	10.50	5.50	5.25	2.185	5.00	5.00	5.00	3.75	4.80
324T	26.96	6.00	14.00	---	10.50	4.00	3.75	1.875	3.50	5.00	2.00	4.80	4.80
326T	27.96	6.00	14.00	---	10.50	5.25	2.185	5.00	5.00	5.00	3.75	5.20	5.20
326T	26.96	6.00	14.00	---	10.50	4.00	3.75	1.875	3.50	5.00	2.00	5.20	5.20
364T	29.70	6.12	14.25	---	11.25	6.12	5.88	2.375	5.62	6.25	4.25	7.30	7.30
364T	27.98	6.12	14.25	---	11.25	4.00	3.75	1.875	3.50	5.00	2.00	7.30	7.30
365T	29.70	6.12	14.25	---	11.25	5.88	2.375	5.62	6.25	4.25	7.30	7.30	7.30
365T	27.98	6.12	14.25	---	11.25	4.00	3.75	1.875	3.50	5.00	2.00	7.30	7.30
404T	34.00	6.88	16.00	---	12.25	7.62	7.25	2.875	7.00	7.50	5.00	10.45	10.45
404T	31.00	6.88	16.00	---	12.25	4.62	4.25	2.185	4.00	5.00	2.75	10.45	10.45
405T	34.00	6.88	16.00	---	12.25	7.62	7.25	2.875	7.00	7.50	5.00	10.85	10.85
405T	31.00	6.88	16.00	---	12.25	4.62	4.25	2.185	4.00	5.00	2.75	10.85	10.85
444T	39.56	8.25	19.00	---	14.50	8.94	8.50	3.375	8.25	8.75	6.88	17.95	17.95
444T	35.81	8.25	19.00	---	14.50	5.19	4.75	2.375	4.50	6.25	3.00	17.90	17.90
445T	39.56	8.25	19.00	---	14.50	8.94	8.50	3.375	8.25	8.75	6.88	17.90	17.90
445T	35.81	8.25	19.00	---	14.50	5.19	4.75	2.375	4.50	6.25	3.00	17.70	17.70

- (1) SPECIAL DIMENSIONS APPLYING TO THIS ORDER ON THIS LINE. CONDUIT BOX LOCATED ON OPPOSITE SIDE WHEN F-2W-1, V-4-W-5-W-7, DR C-1 MOUNTING IS SPECIFIED.
- (2) 'P' VARIES -250T - 320T +.00, -0.3 V-4-W-5-W-7, DR C-1 MOUNTING IS SPECIFIED.
- (3) 'U' VARIES +.000, -.001 IF MOUNTING CLEARANCE DETAILS ARE REQUIRED, CONSULT FACTORY.
- (4) ALL FRAMES HAVE EIGHT MOUNTING HOLES FOR DUAL MOUNTING. MAXIMUM PERMISSIBLE SHAFT RUNOUT WHEN MEASURED AT END OF SHD. SHAFT EXTENSION IS .002 I.P.R UP TO AND INCLUDING 1.625 DIA. AND .003 I.P.R. ABOVE 1.625 TO 3 INCH DIA.
- (5) MOTOR WEIGHTS MAY VARY BY 1% DEPENDING UPON RATING.
- (6) 'N'-W' VARIES +.00, -.25.

FRAME _____ TYPE _____ CERTIFIED FOR _____
 ORDER _____ ITEM _____ HP _____ RPM _____ PH _____ HZ _____ VOLTS _____
 SALES ORDER _____ APPROVED BY _____ DATE _____
 105-057119

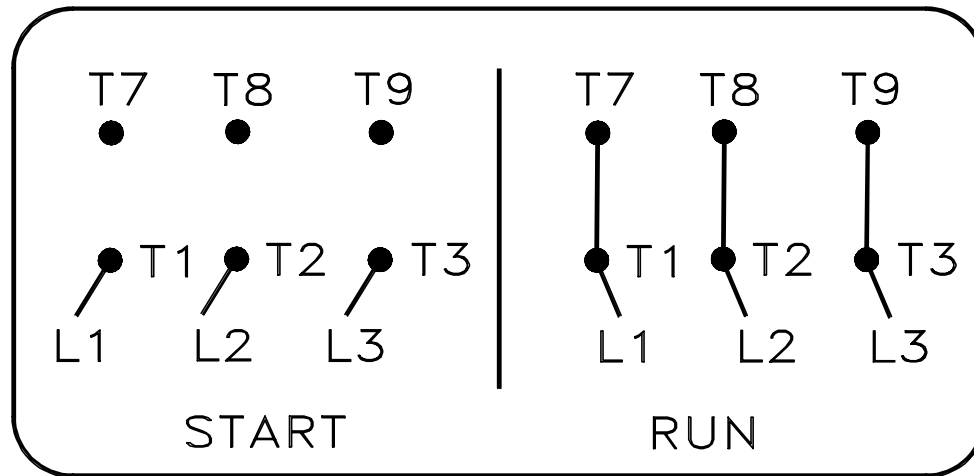
CUSTOMER IS RESPONSIBLE FOR DETERMINING THAT BALDOR'S PRODUCT WILL PERFORM SUITABLY IN THE INTENDED APPLICATION.

REV. DESC: LOADED TO BUS	VERSION: 01	TDR: 000000546464
REV. LTR: A	REVISED: 03:18:49 06/22/2010	BY: RAGHZT
FILE: \\RAG\00009\279		
MTL: -		

BALDOR
 DIM SHT-250T-440T
 SH 1 of 1

416820-015

A-C MOTOR CONNECTION DIAGRAM PART WINDING START



(N.P. 1767-1-A)

416820-015

REV. DESC: -ADDED JUMPERS TO "RUN" CONNECTIONS		
REV. LTR: A	VERSION: 01	TDR: 000000558689
FILE: \MGA\00000\668	REVISED: 09: 44: 55 09/20/2010	
MTL: -	BY: MGH TLC	

BALDOR

CONN DIAG - PART WINDING START

SH 1 of 1

Marketing maintained PDF of MN408:

<http://www.baldor.com/support/Literature/Load.ashx/MN408?ManNumber=MN408>

Marketing maintained PDF of MN416:

<http://www.baldor.com/support/Literature/Load.ashx/MN416?ManNumber=MN416>