

BALDOR® • *RELIANCE*

Product Information Packet

EM7030

5//3HP,1750//1450RPM,3PH,60//50HZ,215,36

Part Detail							
Revision:	A	Status:	PRD/A	Change #:		Proprietary:	No
Type:	AC	Prod. Type:	3642M	Elec. Spec:	36WGS268	CD Diagram:	CD0005
Enclosure:	XPFC	Mfg Plant:		Mech. Spec:	36Q575	Layout:	36LYQ575
Frame:	215	Mounting:	F1	Poles:	04	Created Date:	09-24-2015
Base:	RG	Rotation:	R	Insulation:	B	Eff. Date:	12-22-2016
Leads:	9#16					Replaced By:	
Literature:		Elec. Diagram:					

Nameplate NP1426XPSL	
NO.	[] CC 010A []
SER.	[]
SPEC.	36Q575S268G1
CAT.NO.	EM7030
HP	5//3 [] T. CODE T3C []
VOLTS	230/460//190/380
AMPS	13.4/6.7//10.6/5.3
RPM	1750//1450
HZ	60//50 [] PH 3 [] CL B []
SER.F.	1.00 [] DES B [] CODE J []
RATING	40C AMB-CONT
FRAME	215 [] NEMA-NOM-EFF 89.5 []
USABLE AT 208V	13.9 [] PF 78 []
BLANK	[]

Parts List		
Part Number	Description	Quantity
SA308255	SA 36Q575S268G1	1.000 EA
RA295572	RA 36Q575S268G1	1.000 EA
36FN3000C01	EXFN, PLASTIC, 5.25 OD, .912 ID	1.000 EA
35CB3001A02SP	EXPL PROOF CONDUIT BOX, 3/4"PIPE TAP LEA	1.000 EA
11XW1032G06	10-32 X .38, TAPTITE II, HEX WSHR SLTD U	1.000 EA
HW3001B01	BRASS CUP WASHER, FOR #8 SCREW	1.000 EA
36EP1702A01	FR ENDPLATE, MACH	1.000 EA
HW4500A19	1/4-28X1/4 SLOTTED PLUG F/S	2.000 EA
HW5100A05	WVY WSHR F/205 & 304 BRGS	1.000 EA
36EP3701A01	PU ENDPLATE, MACH	1.000 EA
HW4500A19	1/4-28X1/4 SLOTTED PLUG F/S	2.000 EA
HA3105A09	THRUBOLT 3/8-16 X 12.000	4.000 EA
XY3816A12	3/8-16 FINISHED NUT	4.000 EA
36FH3003	FAN COVER, CAST	1.000 EA
12XN1032A08	10-32X1/2 HEX HD SLTD	4.000 EA
HW1001A10	WASHER, #10 SPLT LK, ZN X	4.000 EA
35CB3500A01SP	CONDUIT BOX LID, MACH	1.000 EA
51XN2520A16	SCREW, HEX WS SLT, ZN, 1/4-20 X 1.00	4.000 EA
HW2501E22	KEY, 1/4 SQ X 2.500	1.000 EA
HA7000A02	KEY RETAINER RING, 1 1/8 DIA, 1 3/8 DIA	1.000 EA
85XU0407S04	4X1/4 U DRIVE PIN STAINLESS	6.000 EA
NP0018F	ALUM UL XP CONDUIT BOX NAMEPLATE	1.000 EA
MJ1000A02	GREASE, POLYREX EM EXXON (USe 4824-15A)	0.050 LB
51XB1214A16	12-14X1.00 HXWSSLD SERTYB	1.000 EA

Parts List (continued)		
Part Number	Description	Quantity
MG1025G29	WILKOFASST, 789.229, DARK CHARCOAL GRAY	0.022 GA
LB1119N	WARNING LABEL	1.000 EA
LC0145B01	CONNECTION LABEL	1.000 EA
NP1426XPSL	SS XP UL CSA CC CL-I GP-D CL-II GP-F&G	1.000 EA
G0PA1000	PKG GRP, PRINT PK1026A06	1.000 EA
MN416A01	TAG-INSTAL-MAINT no wire (1000/bx) 11/14	1.000 EA

AC Induction Motor Performance Data

Record # 35598 - Typical performance - not guaranteed values

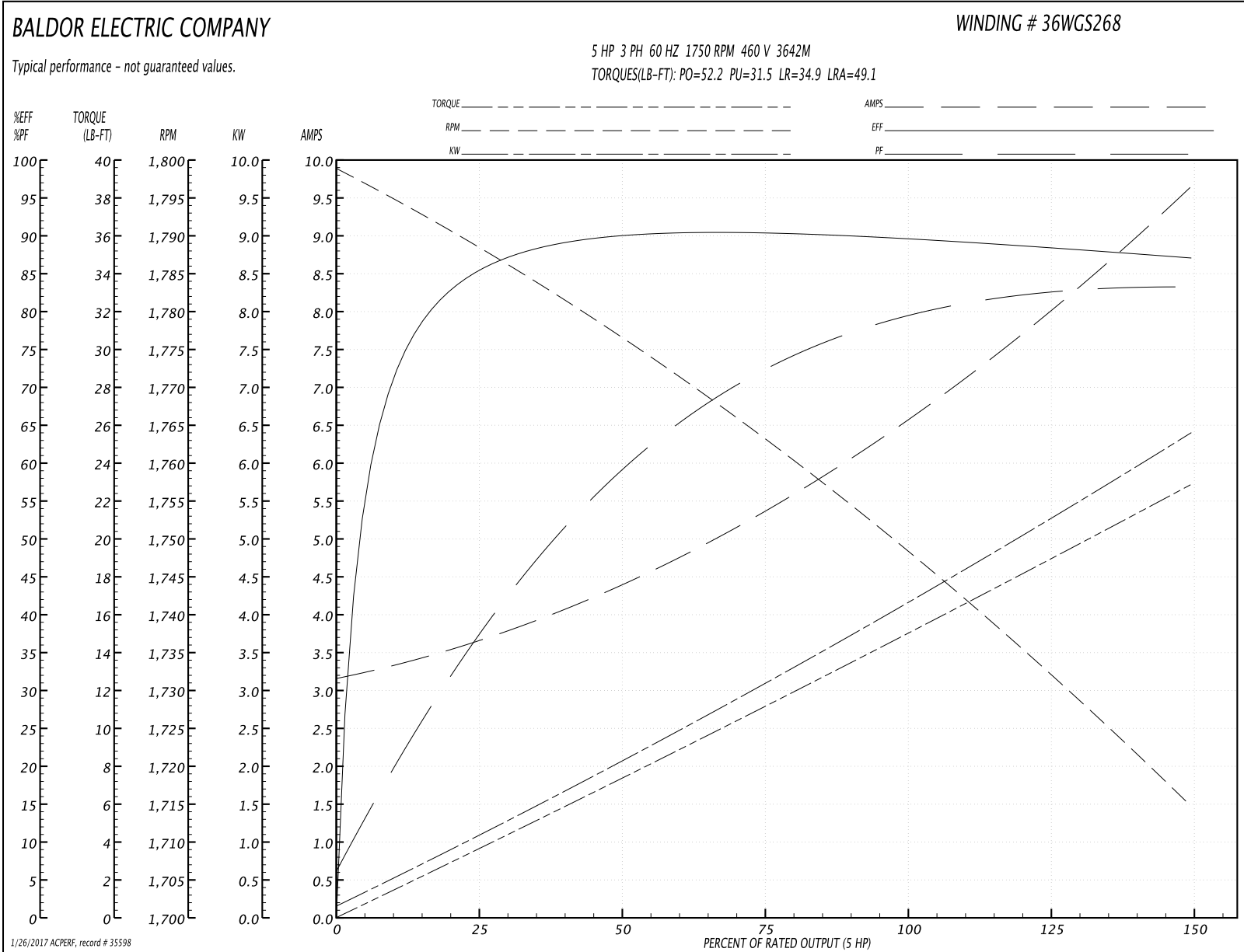
Winding: 36WGS268-R003	Type: 3642M	Enclosure: XPFC
-------------------------------	--------------------	------------------------

Nameplate Data				460 V, 60 Hz: High Voltage Connection	
Rated Output (HP)	5//3			Full Load Torque	14.9 LB-FT
Volts	230/460//190/380			Start Configuration	direct on line
Full Load Amps	13.4/6.7//10.6/5.3			Breakdown Torque	52.2 LB-FT
R.P.M.	1750//1450			Pull-up Torque	31.5 LB-FT
Hz	60//50	Phase	3	Locked-rotor Torque	34.9 LB-FT
NEMA Design Code	B	KVA Code	J	Starting Current	49.1 A
Service Factor (S.F.)	1			No-load Current	3.24 A
NEMA Nom. Eff.	89.5	Power Factor	78	Line-line Res. @ 25°C	2.27 Ω
Rating - Duty	40C AMB-CONT			Temp. Rise @ Rated Load	71°C
				Locked-rotor Power Factor	40
				Rotor inertia	0.391 LB-FT ²

Load Characteristics 460 V, 60 Hz, 5 HP

% of Rated Load	25	50	75	100	125	150
Power Factor	39	60	72	78	83	83
Efficiency	85	89.7	90.6	89.6	88.6	87
Speed	1789	1776	1762	1750	1733	1714
Line amperes	3.55	4.31	5.43	6.65	7.94	9.64

Performance Graph at 460V, 60Hz, 5.0HP Typical performance - Not guaranteed values



AC Induction Motor Performance Data

Record # 35599 - Typical performance - not guaranteed values

Winding: 36WGS268-R003	Type: 3642M	Enclosure: XPFC
-------------------------------	--------------------	------------------------

Nameplate Data				380 V, 50 Hz: High Voltage Connection	
Rated Output (HP)	5//3			Full Load Torque	10.7 LB-FT
Volts	230/460//190/380			Start Configuration	direct on line
Full Load Amps	13.4/6.7//10.6/5.3			Breakdown Torque	49.5 LB-FT
R.P.M.	1750//1450			Pull-up Torque	32.1 LB-FT
Hz	60//50	Phase	3	Locked-rotor Torque	35.6 LB-FT
NEMA Design Code	B	KVA Code	J	Starting Current	47.4 A
Service Factor (S.F.)	1			No-load Current	3.17 A
NEMA Nom. Eff.	89.5	Power Factor	78	Line-line Res. @ 25°C	2.27 Ω
Rating - Duty	40C AMB-CONT			Temp. Rise @ Rated Load	54°C
				Locked-rotor Power Factor	44
				Rotor inertia	0.391 LB-FT ²

Load Characteristics 380 V, 50 Hz, 3 HP

% of Rated Load	25	50	75	100	125	150
Power Factor	31	50	63	71	78	80
Efficiency	81.4	87.7	89.4	89.1	88.6	87.3
Speed	1492	1482	1471	1462	1449	1436
Line amperes	3.36	3.83	4.54	5.31	6.14	7.26

Performance Graph at 380V, 50Hz, 3.0HP Typical performance - Not guaranteed values



AC Induction Motor Performance Data

Record # 35728 - Typical performance - not guaranteed values

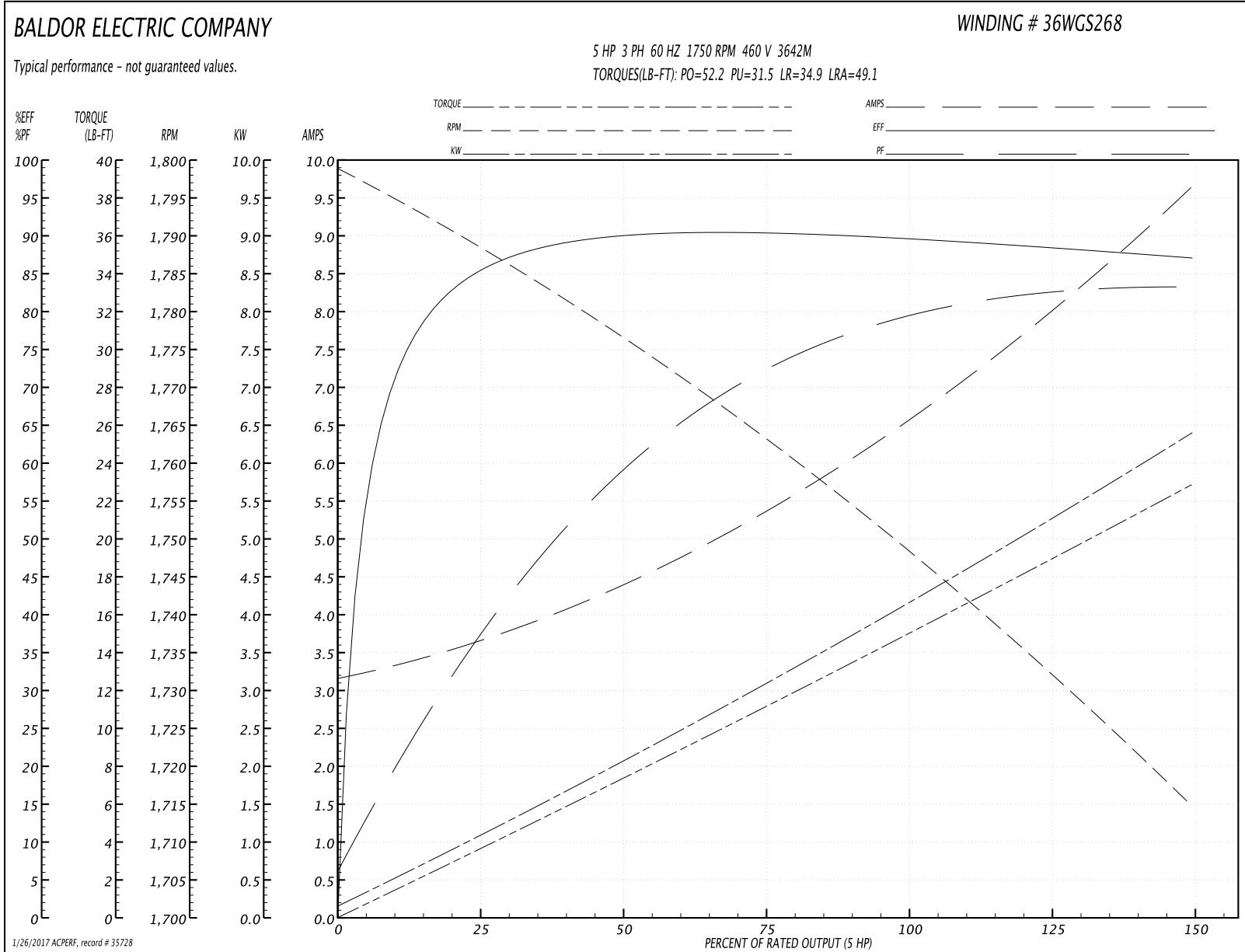
Winding: 36WGS268-R003	Type: 3642M	Enclosure: XPFC
-------------------------------	--------------------	------------------------

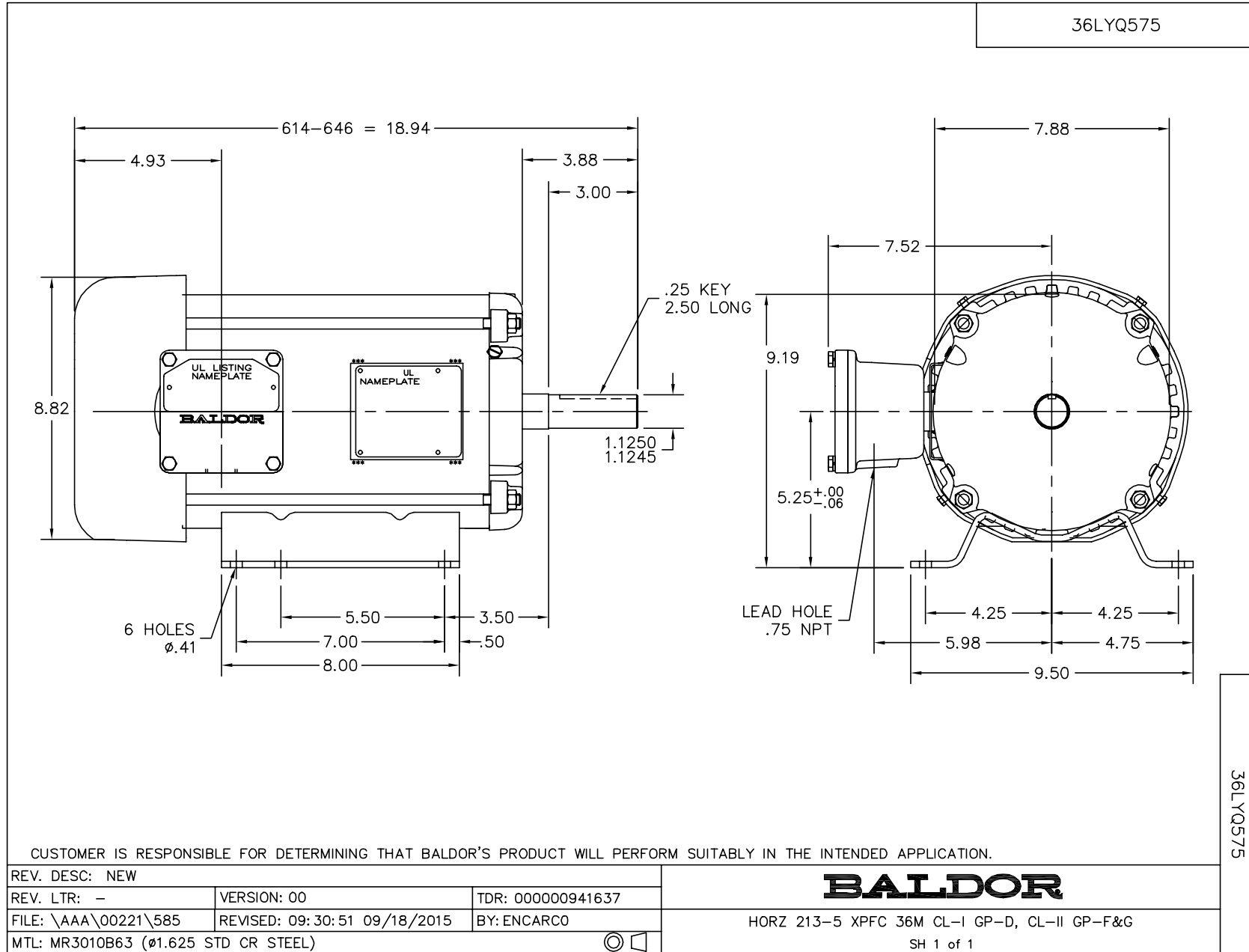
Nameplate Data				460 V, 60 Hz: High Voltage Connection	
Rated Output (HP)	5//3			Full Load Torque	14.9 LB-FT
Volts	230/460//190/380			Start Configuration	direct on line
Full Load Amps	13.4/6.7//10.6/5.3			Breakdown Torque	52.2 LB-FT
R.P.M.	1750//1450			Pull-up Torque	31.5 LB-FT
Hz	60//50	Phase	3	Locked-rotor Torque	34.9 LB-FT
NEMA Design Code	B	KVA Code	J	Starting Current	49.1 A
Service Factor (S.F.)	1			No-load Current	3.24 A
NEMA Nom. Eff.	89.5	Power Factor	78	Line-line Res. @ 25°C	2.27 Ω
Rating - Duty	40C AMB-CONT			Temp. Rise @ Rated Load	71°C
				Locked-rotor Power Factor	40
				Rotor inertia	0.391 LB-FT ²

Load Characteristics 460 V, 60 Hz, 5 HP

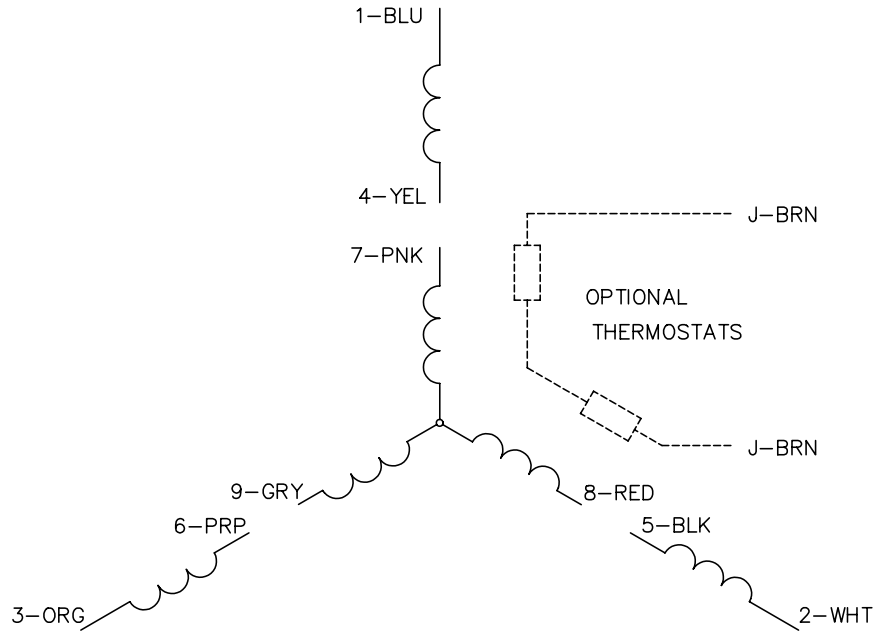
% of Rated Load	25	50	75	100	125	150
Power Factor	39	60	72	78	83	83
Efficiency	85	89.7	90.6	89.6	88.6	87
Speed	1789	1776	1762	1750	1733	1714
Line amperes	3.55	4.31	5.43	6.65	7.94	9.64

Performance Graph at 460V, 60Hz, 5.0HP Typical performance - Not guaranteed values

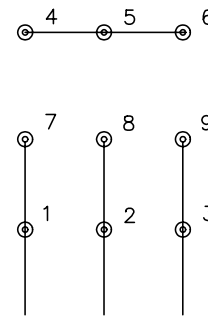




CD0005

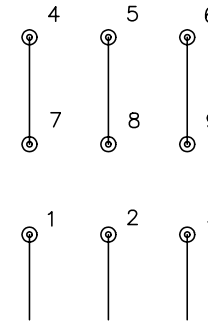


LOW VOLTAGE
(2Y)



LINE

HIGH VOLTAGE
(1Y)



LINE

NOTES:

1. INTERCHANGE ANY TWO LINE LEADS TO REVERSE ROTATION.
2. OPTIONAL THERMOSTATS ARE PROVIDED WHEN SPECIFIED.
3. ACTUAL NUMBER OF INTERNAL PARALLEL CIRCUITS MAY BE A MULTIPLE OF THOSE SHOWN ABOVE.
4. LEAD COLORS ARE OPTIONAL. LEADS MUST ALWAYS BE NUMBERED AS SHOWN.

REV. DESC: REVISE TO SHOW OPTIONAL COLORS			
REV. LTR: E	BY: JLP	REVISED: 01/19/99 10:15	TDR: 0171435
9000D		FILE: AAA00005140	MDL: -
		MTL: -	

BALDOR ELECTRIC Co.

3PH, DV, 9 LEADS

CD0005