

BALDOR® • ***RELIANCE***

Product Information Packet

EM7062T-I

40//30HP,1775//1480RPM,3PH,60//50HZ,324T

Part Detail							
Revision:	V	Status:	PRD/A	Change #:		Proprietary:	No
Type:	AC	Prod. Type:	1254M	Elec. Spec:	12WGY276	CD Diagram:	CD0180
Enclosure:	XPFC	Mfg Plant:		Mech. Spec:	12S077	Layout:	12LYS077
Frame:	324T	Mounting:	F1	Poles:	04	Created Date:	06-28-2010
Base:	RG	Rotation:	R	Insulation:	F	Eff. Date:	01-04-2017
Leads:	9#8					Replaced By:	
Literature:		Elec. Diagram:					

Nameplate NP0977XPSLEV			
NO.		CC	010A
SER.		TEMP CODE	T3C
SPEC.	12S077Y276G1		
CAT.NO.	EM7062T-I		
HP	40//30 NEMA MG-1 PT.5,IP55		
VOLTS	230/460//190/380		
AMPS	96/48//90/45		
RPM	1775//1480	MOTOR WEIGHT	569
HERTZ	60//50	PH	3
SER.F.	1.15	CL	F
FRAME	324T	DE BRG	6312
RATING	40C AMB-CONT	ODE BRG	6311
USABLE AT 208V		GREASE	POLYREX EM
		NEMA-NOM-EFF	94.1
	55C AMB @ 1.0 SF 60C RISE	PF	82

Parts List		
Part Number	Description	Quantity
SA199036	SA 12S077Y276G1	1.000 EA
RA186387	RA 12S077Y276G1	1.000 EA
09FN3001B03SP	EXTERNAL FAN, PLASTIC	1.000 EA
12CB1003A01	CONDUIT BOX MACH. GROUP C MTRS	1.000 EA
10XN3118K24	5/16-18 X 1.50" HEX HD, GRADE 5	4.000 EA
HW1001A31	LOCKWASHER 5/16, ZINC PLT.591 OD, .319 I	4.000 EA
WD1000B19	TERMINAL BURNDY L250HP	1.000 EA
10XN3816K12	3/8-16 X 3/4 HEX HD CAP GRADE 5	1.000 EA
HW1001A38	LOCKWASHER 3/8, ZINC PLT .688 OD, .382 I	1.000 EA
12EP1705A12P	EP, MACH. XPFC, 311 BRG. GRP C, HW4505A0	1.000 EA
HW4505A02	BREATHER/DRAIN-EXP PROOF-.250-18 PTF AIS	1.000 EA
HW3023E06	.125 X .625 SPIRAL SPRING PIN	1.000 EA
HA3051A03	1/2-13X2.75 BLT GR8 1.75 TO E NC F/S	4.000 EA
HW1001A50	LOCKWASHER 1/2, ZINC PLT.,.879 OD, .509 I	4.000 EA
HW5100A13	W4627-047 WVY WSHER	1.000 EA
10XN3118K44	5/16-18 X 2.75" HEX HD, GRADE 5	4.000 EA
HW1001A31	LOCKWASHER 5/16, ZINC PLT.591 OD, .319 I	4.000 EA
12EP1706A08P	EP, MACH. XPFC 312 BRG. W/DRAIN HW4505A0	1.000 EA
HW4505A02	BREATHER/DRAIN-EXP PROOF-.250-18 PTF AIS	1.000 EA
HW3023E06	.125 X .625 SPIRAL SPRING PIN	1.000 EA
HA3051A03	1/2-13X2.75 BLT GR8 1.75 TO E NC F/S	4.000 EA
HW1001A50	LOCKWASHER 1/2, ZINC PLT.,.879 OD, .509 I	4.000 EA
HA2067A02	SLINGER ALUM (AUTO)	1.000 EA
80XN1032A07	SET SCREW, HEX XOCK, ZN	2.000 EA

Parts List (continued)		
Part Number	Description	Quantity
12FH1001A06	FAN HOUSING 312 EXPLOSION PROOF MOTORS	1.000 EA
10XN3118J12	5/16-18 X 3/4 HEX HEAD CAP, GRADE 8	3.000 EA
HW1001A31	LOCKWASHER 5/16, ZINC PLT.591 OD, .319 I	3.000 EA
12CB1502A01	CONDUIT BOX LID MACH. GROUP C MTRS	1.000 EA
84XN5013J32	SOCKET HD.CAP SCR,1/2-13 X 2"LG,ALLOY ST	10.000 EA
HW1001A50	LOCKWASHER 1/2, ZINC PLT.,.879 OD, .509 I	10.000 EA
HW2501H33	KEY, 1/2 SQ X 3.875	1.000 EA
LB1115N	LABEL,LIFTING DEVICE (ON ROLLS)	1.000 EA
LB1081C	ALUM XP CAUTION LABEL (COL PLANT ONLY-	1.000 EA
HW4500A20	1/8NPT SL PIPE PLUG	2.000 EA
MJ1000A02	GREASE, POLYREX EM EXXON (USe 4824-15A)	0.200 LB
HW4500A20	1/8NPT SL PIPE PLUG	2.000 EA
HW2500A25	WOODRUFF KEY USA #1008 #BLOW CARBON STEE	1.000 EA
51XB1214A20	12-14X1.25 HXWSSLD SERTYB	1.000 EA
MG1025G05	WILKOFASST, 789.227, MED. GRAY CHAR. MET.	0.080 GA
85XU0407S04	4X1/4 U DRIVE PIN STAINLESS	6.000 EA
MN416A01	TAG-INSTAL-MAINT no wire (1000/bx) 11/14	1.000 EA
LB1119N	WARNING LABEL	1.000 EA
LC0181	CONNECTION LABEL	1.000 EA
NP0977XPSLEV	SS XP UL CSA-EEV CC CL-I GP-C&D	1.000 EA
12PA1020	PKGP CRATE 312 EXPORT 36 X 30-1/2 X 22-	1.000 EA

AC Induction Motor Performance Data

Record # 35371 - Typical performance - not guaranteed values

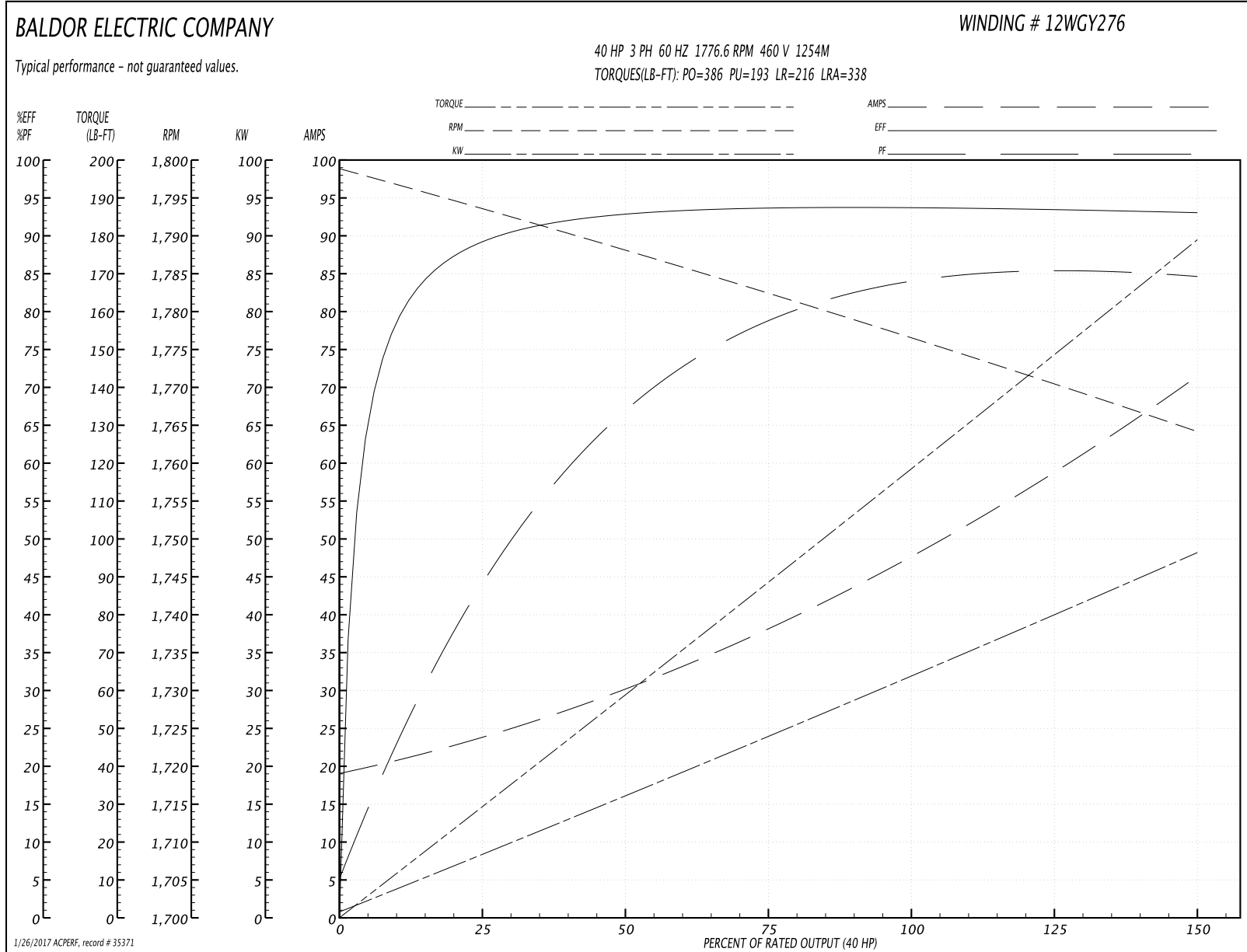
Winding: 12WGY276-R004	Type: 1254M	Enclosure: XPFC
-------------------------------	--------------------	------------------------

Nameplate Data				460 V, 60 Hz: High Voltage Connection	
Rated Output (HP)	40//30			Full Load Torque	118 LB-FT
Volts	230/460//190/380			Start Configuration	direct on line
Full Load Amps	96/48//90/45			Breakdown Torque	386 LB-FT
R.P.M.	1775//1480			Pull-up Torque	193 LB-FT
Hz	60//50	Phase	3	Locked-rotor Torque	216 LB-FT
NEMA Design Code	B	KVA Code	H	Starting Current	338 A
Service Factor (S.F.)	1.15			No-load Current	19.9 A
NEMA Nom. Eff.	94.1	Power Factor	82	Line-line Res. @ 25°C	0.14898 Ω
Rating - Duty	40C AMB-CONT			Temp. Rise @ Rated Load	54°C
S.F. Amps				Temp. Rise @ S.F. Load	64°C
				Locked-rotor Power Factor	27
				Rotor inertia	7.19 LB-FT ²

Load Characteristics 460 V, 60 Hz, 40 HP

% of Rated Load	25	50	75	100	125	150	S.F.
Power Factor	47	69	78	83	85	85	84
Efficiency	90.1	93.5	94.2	94.2	93.8	93.1	94
Speed	1793.5	1788	1782.5	1776.6	1770.7	1764.1	1773
Line amperes	22.9	29.5	38.4	48.1	59.2	70.8	54.8

Performance Graph at 460V, 60Hz, 40.0HP Typical performance - Not guaranteed values



AC Induction Motor Performance Data

Record # 35373 - Typical performance - not guaranteed values

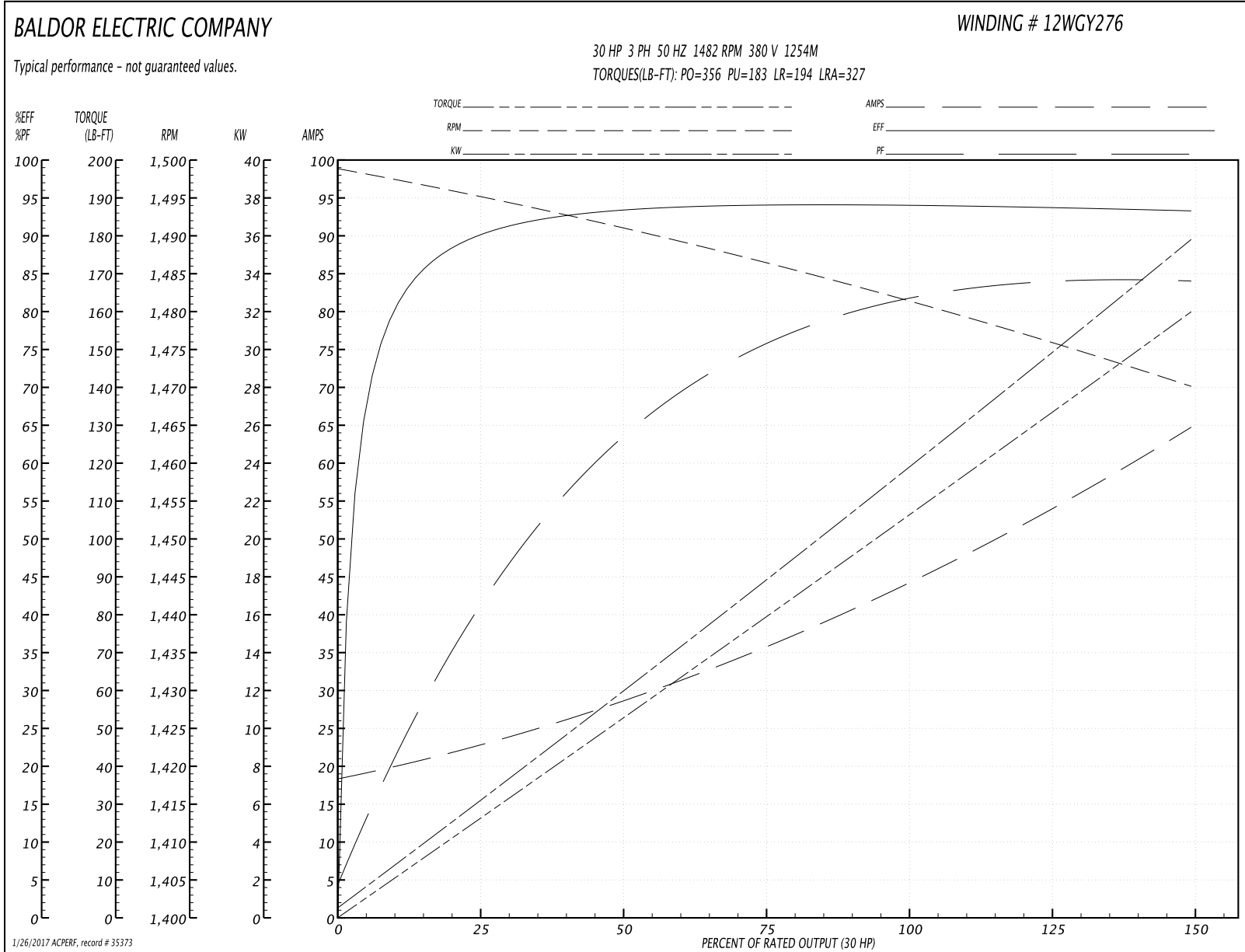
Winding: 12WGY276-R004	Type: 1254M	Enclosure: XPFC
-------------------------------	--------------------	------------------------

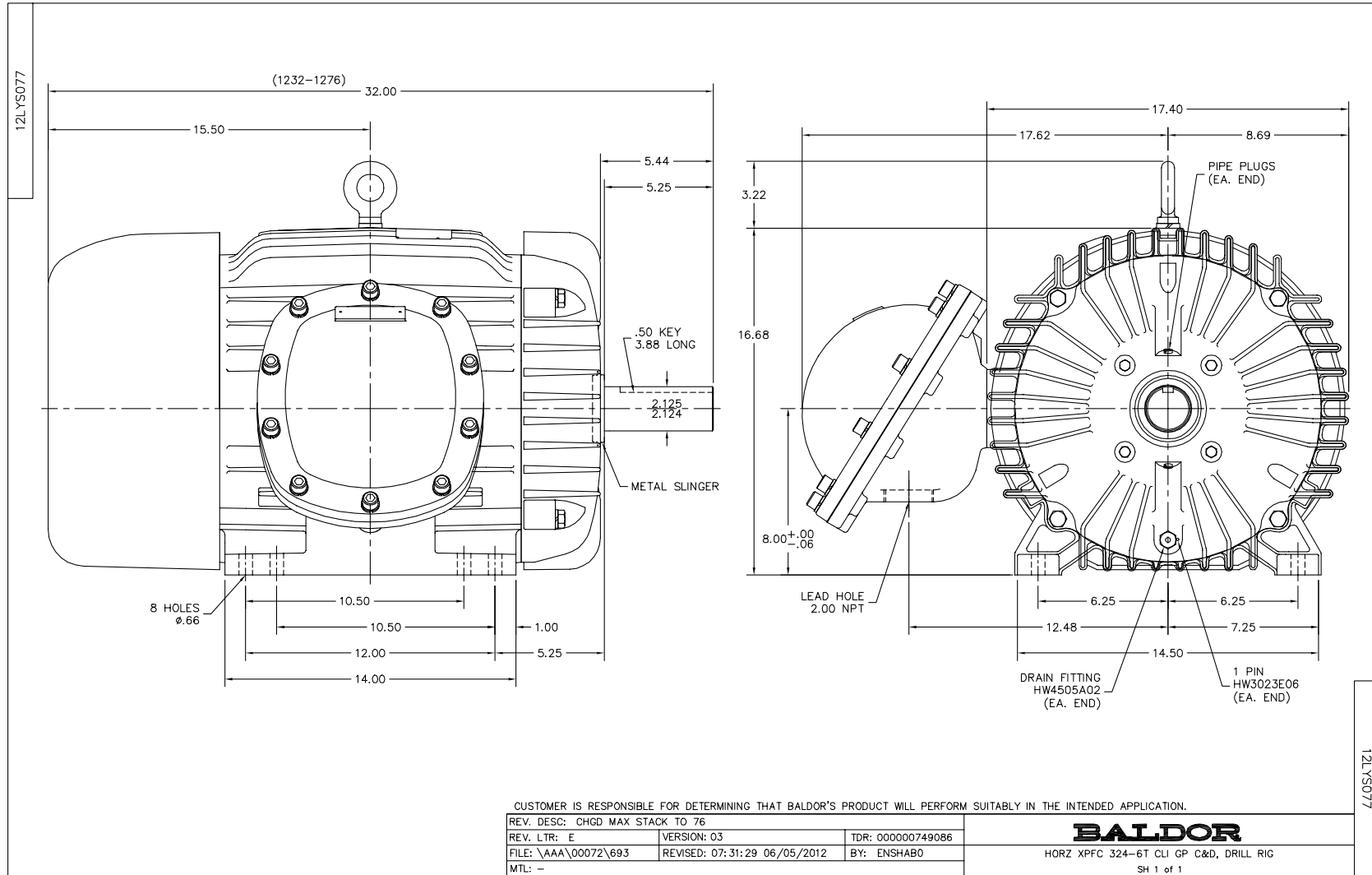
Nameplate Data				380 V, 50 Hz: High Voltage Connection	
Rated Output (HP)	40//30			Full Load Torque	106 LB-FT
Volts	230/460//190/380			Start Configuration	direct on line
Full Load Amps	96/48//90/45			Breakdown Torque	356 LB-FT
R.P.M.	1775//1480			Pull-up Torque	183 LB-FT
Hz	60//50	Phase	3	Locked-rotor Torque	194 LB-FT
NEMA Design Code	B	KVA Code	H	Starting Current	327 A
Service Factor (S.F.)	1.15			No-load Current	19 A
NEMA Nom. Eff.	94.1	Power Factor	82	Line-line Res. @ 25°C	0.144 Ω
Rating - Duty	40C AMB-CONT			Temp. Rise @ Rated Load	46°C
S.F. Amps				Temp. Rise @ S.F. Load	56°C
				Locked-rotor Power Factor	30
				Rotor inertia	7.19 LB-FT ²

Load Characteristics 380 V, 50 Hz, 30 HP

% of Rated Load	25	50	75	100	125	150	S.F.
Power Factor	43	65	75	81	83	85	82
Efficiency	90	93.5	94.3	94	93.7	93.4	93.8
Speed	1495	1491	1486	1482	1476	1470	1478
Line amperes	22	28.3	36	44.5	54.4	64.2	50.4

Performance Graph at 380V, 50Hz, 30.0HP Typical performance - Not guaranteed values

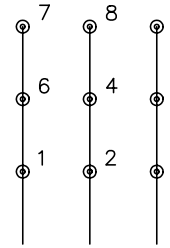




CD0180

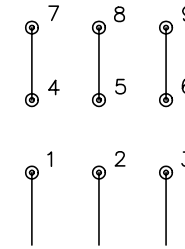


LOW VOLTAGE
(2D)



LINE

HIGH VOLTAGE
(1D)



LINE

NOTES:

1. INTERCHANGE ANY TWO LINE LEADS TO REVERSE ROTATION.
2. OPTIONAL THERMOSTATS ARE PROVIDED WHEN SPECIFIED.
3. ACTUAL NUMBER OF INTERNAL PARALLEL CIRCUITS MAY BE A MULTIPLE OF THOSE SHOWN ABOVE.
4. LEAD COLORS ARE OPTIONAL. LEADS MUST ALWAYS BE NUMBERED AS SHOWN.

REV. DESC: REVISE TO SHOW OPTIONAL COLORS			
REV. LTR: C	BY: JLP	REVISED: 01/21/99 2:28	TDR: 0171435
0810D0		FILE: AAA00005148	MDL: -
		MTL: -	

BALDOR ELECTRIC Co.

3PH, DV, 9 LEADS, DELTA CONNECTION

CD0180