

# **BALDOR® • RELIANCE**

## **Product Information Packet**

### **EM7065T-I**

**10//7.5HP, 1180//980RPM, 3PH, 60//50HZ, 256T**

Part Detail							
Revision:	T	Status:	PRD/A	Change #:		Proprietary:	No
Type:	AC	Prod. Type:	0956M	Elec. Spec:	09WGZ383	CD Diagram:	CD0005
Enclosure:	XPFC	Mfg Plant:		Mech. Spec:	09F369	Layout:	09LYF369
Frame:	256T	Mounting:	F1	Poles:	06	Created Date:	06-15-2010
Base:	RG	Rotation:	R	Insulation:	F	Eff. Date:	09-07-2016
Leads:	9#12					Replaced By:	
Literature:		Elec. Diagram:					

Nameplate NP0977XPSLEV										
NO.							CC	010A		
SER.							TEMP CODE	T3C		
SPEC.	09F369Z383G1									
CAT.NO.	EM7065T-I									
HP	10//7.5 NEMA MG-1 PT.5,IP55									
VOLTS	230/460//190/380									
AMPS	30/15//28/14									
RPM	1180//980						MOTOR WEIGHT	403		
HERTZ	60//50		PH	3	CL	F	DE BRG	6309		
SER.F.	1.15		DES	A	CODE	J	ODE BRG	6208		
FRAME	256T		GREASE	POLYREX EM						
RATING	40C AMB-CONT									
USABLE AT 208V	30.4		NEMA-NOM-EFF	91			PF	70		
	55C AMB @ 1.0 SF 60C RISE									

Parts List		
Part Number	Description	Quantity
SA198676	SA 09F369Z383G1	1.000 EA
RA186038	RA 09F369Z383G1	1.000 EA
09FN3001D01	EXTERNAL FAN, PLASTIC	1.000 EA
MJ5000A01	SEALANT, CHICO A COMPOUND	0.050 LB
09CB1003A01	CONDUIT BOX MACH. GROUP C MTRS	1.000 EA
10XN3118K24	5/16-18 X 1.50" HEX HD, GRADE 5	4.000 EA
HW1001A31	LOCKWASHER 5/16, ZINC PLT.591 OD, .319 I	4.000 EA
09EP1700A33E	FR ENDPLATE, MACH, XPFC W/E-COAT	1.000 EA
WD1000B25	GND LUG, BURNDY L125HP OR T&B L125HP-BB	1.000 EA
10XN3118K12	5/16-18 X .75 GRADE 5, ZINC PLATED	1.000 EA
HW1001A31	LOCKWASHER 5/16, ZINC PLT.591 OD, .319 I	1.000 EA
HW3023E06	.125 X .625 SPIRAL SPRING PIN	1.000 EA
10XN3816K28	3/8-16 X 1.75 HEX HD CAP SCREW, GRADE 5	4.000 EA
HW1001A38	LOCKWASHER 3/8, ZINC PLT .688 OD, .382 I	4.000 EA
HW5100A08	W3118-035 WVY WSHR (WB)	1.000 EA
10XN2520K36	1/4-20 X 2.25" HX HD SCRWGRADE 5, ZINC P	4.000 EA
HW1001A25	LOCKWASHER 1/4, ZINC PLT .493 OD, .255 I	4.000 EA
09EP1707A16E	PU E.P., MACH. W/E-COAT	1.000 EA
HW3023E06	.125 X .625 SPIRAL SPRING PIN	1.000 EA
10XN3816K28	3/8-16 X 1.75 HEX HD CAP SCREW, GRADE 5	4.000 EA
HW1001A38	LOCKWASHER 3/8, ZINC PLT .688 OD, .382 I	4.000 EA
09FH1004A03	FAN COVER, MACH	1.000 EA
10XN2520K12	1/4-20 X.75 GRD 5	3.000 EA
HW1001A25	LOCKWASHER 1/4, ZINC PLT .493 OD, .255 I	3.000 EA

<b>Parts List (continued)</b>		
<b>Part Number</b>	<b>Description</b>	<b>Quantity</b>
HA2066A01	SLINGER, ALUM (AUTO)	1.000 EA
80XN1032A07	SET SCREW, HEX XOCK, ZN	1.000 EA
09CB1502A01	CONDUIT BOX LID MACH. GROUP C MTRS	1.000 EA
84XN5013J24	1/2-13 X 1-1/2 HEX SOCKET HD CAP SCREW	6.000 EA
HW1001A50	LOCKWASHER 1/2, ZINC PLT.,.879 OD, .509 I	6.000 EA
HW2501G25	KEY, 3/8 SQ X 2.875	1.000 EA
LB1115N	LABEL,LIFTING DEVICE (ON ROLLS)	1.000 EA
LB1081Z	ALUM XP CAUTION LABEL (ZK PLANT ONLY-	1.000 EA
HW4500A20	1/8NPT SL PIPE PLUG	2.000 EA
HW4505A02	BREATHER/DRAIN-EXP PROOF-.250-18 PTF AIS	1.000 EA
MJ1000A02	GREASE, POLYREX EM EXXON (USe 4824-15A)	0.080 LB
HW4500A20	1/8NPT SL PIPE PLUG	2.000 EA
HW4505A02	BREATHER/DRAIN-EXP PROOF-.250-18 PTF AIS	1.000 EA
HW2500A25	WOODRUFF KEY USA #1008 #BLOW CARBON STEE	1.000 EA
51XB1214A20	12-14X1.25 HXWSSLD SERTYB	1.000 EA
MG1025G05	WILKOFAS, 789.227, MED. GRAY CHAR. MET.	0.050 GA
85XU0407S04	4X1/4 U DRIVE PIN STAINLESS	6.000 EA
MN416A01	TAG-INSTAL-MAINT no wire (1000/bx) 11/14	1.000 EA
LB1119N	WARNING LABEL	1.000 EA
LC0145B01	CONNECTION LABEL	1.000 EA
NP0977XPSLEV	SS XP UL CSA-EEV CC CL-I GP-C&D	1.000 EA
40PA1005	PACKAGING GROUP, 09 STD	1.000 EA

**AC Induction Motor Performance Data**

Record # 31471 - Typical performance - not guaranteed values

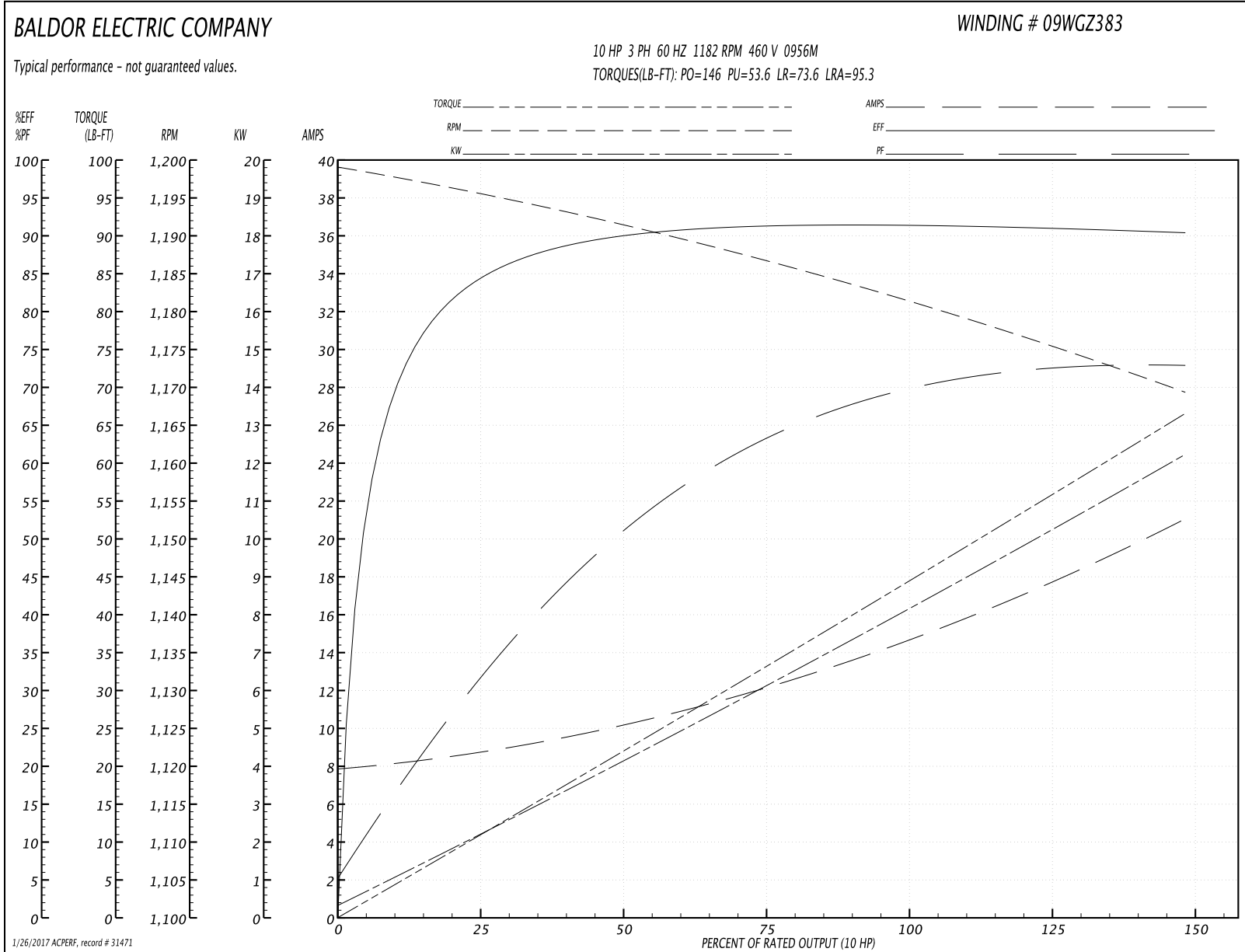
<b>Winding:</b> 09WGZ383-R005	<b>Type:</b> 0956M	<b>Enclosure:</b> XPFC
-------------------------------	--------------------	------------------------

Nameplate Data				460 V, 60 Hz: High Voltage Connection	
Rated Output (HP)	10//7.5			Full Load Torque	44.4 LB-FT
Volts	230/460//190/380			Start Configuration	direct on line
Full Load Amps	29.2/14.6//27.4/13.7			Breakdown Torque	146 LB-FT
R.P.M.	1180//980			Pull-up Torque	53.6 LB-FT
Hz	60//50	Phase	3	Locked-rotor Torque	73.6 LB-FT
NEMA Design Code	B	KVA Code	J	Starting Current	95.3 A
Service Factor (S.F.)	1.15			No-load Current	7.9 A
NEMA Nom. Eff.	91	Power Factor	70	Line-line Res. @ 25°C	0.66 Ω
Rating - Duty	40C AMB-CONT			Temp. Rise @ Rated Load	45°C
S.F. Amps				Temp. Rise @ S.F. Load	54°C
				Locked-rotor Power Factor	24
				Rotor inertia	4.5 LB-FT <sup>2</sup>

Load Characteristics 460 V, 60 Hz, 10 HP

% of Rated Load	25	50	75	100	125	150	S.F.
Power Factor	32	52	63	70	72	73	71
Efficiency	83.7	89.8	91.4	91.6	91.1	90.3	91.3
Speed	1196	1191	1186	1182	1176	1169	1178
Line amperes	8.74	10.1	12.2	14.7	17.7	21	16.5

Performance Graph at 460V, 60Hz, 10.0HP Typical performance - Not guaranteed values



**AC Induction Motor Performance Data**

Record # 31472 - Typical performance - not guaranteed values

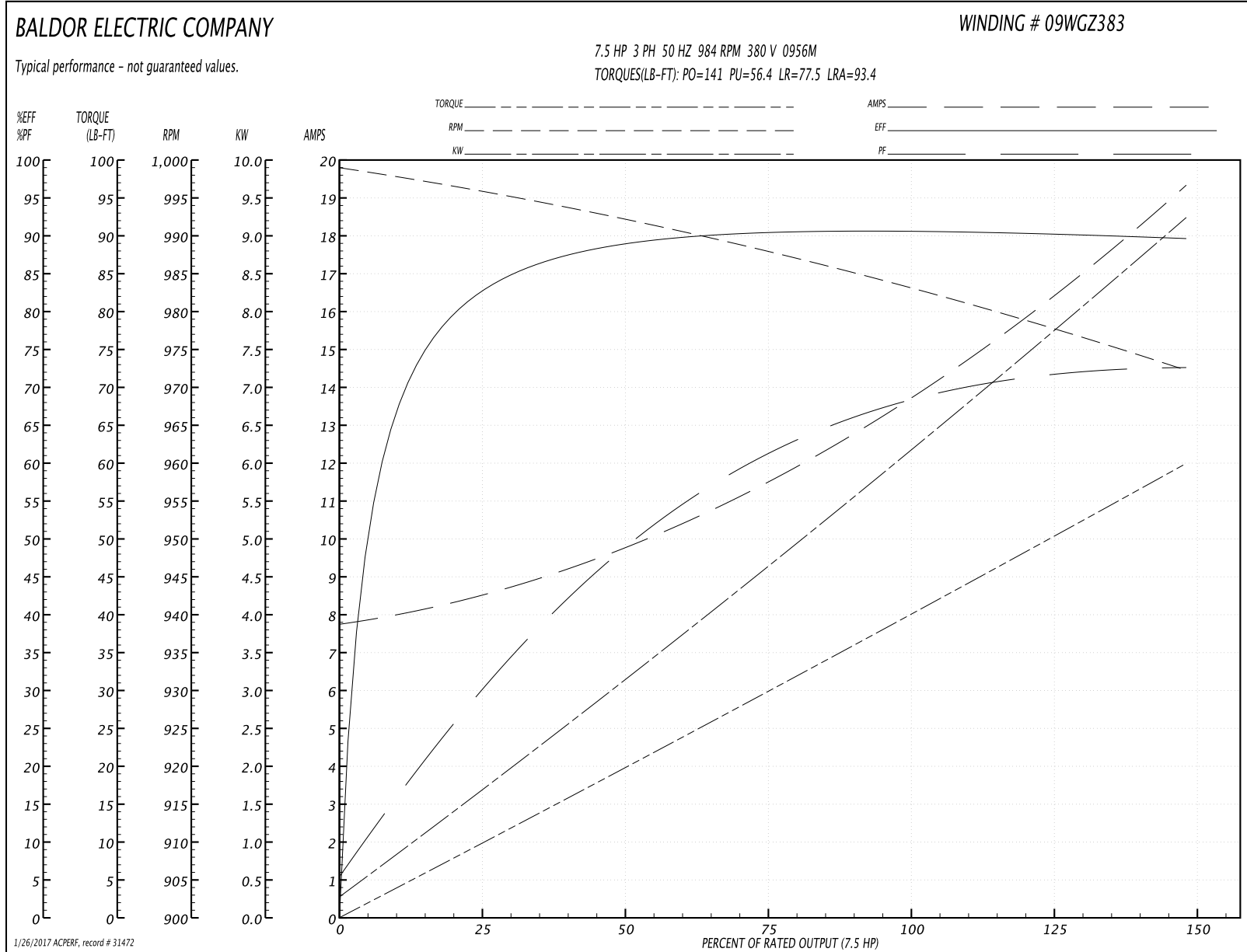
<b>Winding:</b> 09WGZ383-R005	<b>Type:</b> 0956M	<b>Enclosure:</b> XPFC
-------------------------------	--------------------	------------------------

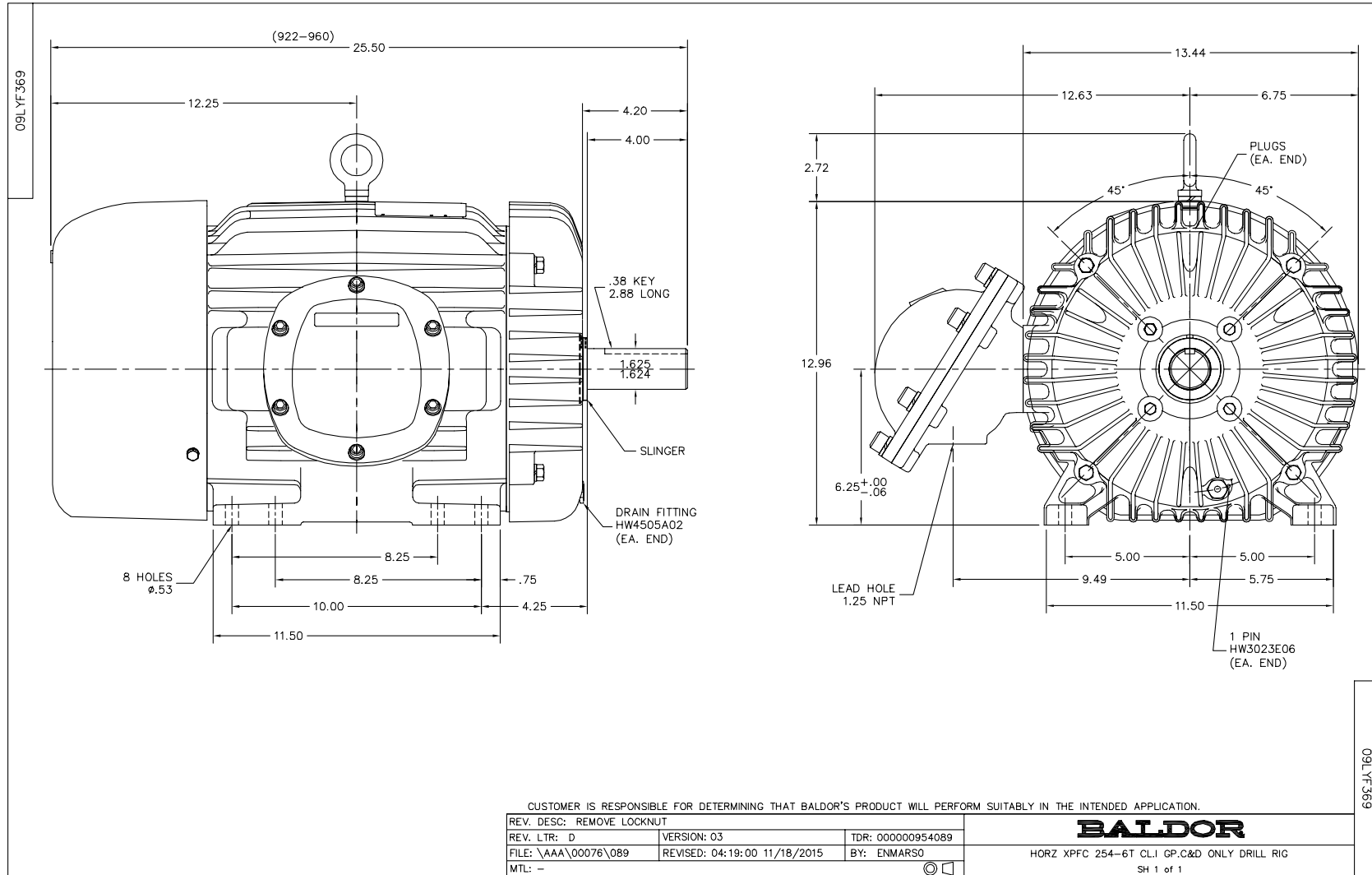
Nameplate Data				380 V, 50 Hz: High Voltage Connection	
Rated Output (HP)	10//7.5			Full Load Torque	40 LB-FT
Volts	230/460//190/380			Start Configuration	direct on line
Full Load Amps	29.2/14.6//27.4/13.7			Breakdown Torque	141 LB-FT
R.P.M.	1180//980			Pull-up Torque	56.4 LB-FT
Hz	60//50	Phase	3	Locked-rotor Torque	77.5 LB-FT
NEMA Design Code	B	KVA Code	J	Starting Current	93.4 A
Service Factor (S.F.)	1.15			No-load Current	7.77 A
NEMA Nom. Eff.	91	Power Factor	70	Line-line Res. @ 25°C	0.66 Ω
Rating - Duty	40C AMB-CONT			Temp. Rise @ Rated Load	40°C
S.F. Amps				Temp. Rise @ S.F. Load	48°C
				Locked-rotor Power Factor	27
				Rotor inertia	4.5 LB-FT <sup>2</sup>

Load Characteristics 380 V, 50 Hz, 7.5 HP

% of Rated Load	25	50	75	100	125	150	S.F.
Power Factor	31	50	61	68	71	73	70
Efficiency	82.1	88.8	90.4	90.8	90.4	89.5	90.6
Speed	996	992	987	984	978	972	980
Line amperes	8.54	9.72	11.6	13.7	16.4	19.3	15.3

Performance Graph at 380V, 50Hz, 7.5HP Typical performance - Not guaranteed values

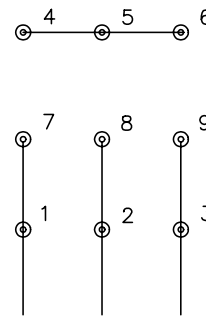




CD0005



LOW VOLTAGE  
(2Y)



LINE

HIGH VOLTAGE  
(1Y)



LINE

NOTES:

1. INTERCHANGE ANY TWO LINE LEADS TO REVERSE ROTATION.
2. OPTIONAL THERMOSTATS ARE PROVIDED WHEN SPECIFIED.
3. ACTUAL NUMBER OF INTERNAL PARALLEL CIRCUITS MAY BE A MULTIPLE OF THOSE SHOWN ABOVE.
4. LEAD COLORS ARE OPTIONAL. LEADS MUST ALWAYS BE NUMBERED AS SHOWN.

REV. DESC: REVISE TO SHOW OPTIONAL COLORS			
REV. LTR: E	BY: JLP	REVISED: 01/19/99 10:15	TDR: 0171435
900000		FILE: AAA00005140	MDL: -
		MTL: -	

**BALDOR ELECTRIC Co.**

3PH, DV, 9 LEADS

CD0005