

BALDOR® • **RELIANCE**

Product Information Packet

EM7079T

15//20HP,980//1180RPM,3PH,50//60HZ,286T

Part Detail							
Revision:	P	Status:	PRD/A	Change #:		Proprietary:	No
Type:	AC	Prod. Type:	1054M	Elec. Spec:	10WGY730	CD Diagram:	CD0180
Enclosure:	XPFC	Mfg Plant:		Mech. Spec:	10E106	Layout:	10LYE106
Frame:	286T	Mounting:	F1	Poles:	06	Created Date:	08-02-2010
Base:	RG	Rotation:	R	Insulation:	B	Eff. Date:	01-04-2017
Leads:	9#10					Replaced By:	
Literature:		Elec. Diagram:					

Nameplate NP1426XPSLEV	
NO.	[] CC 010A
SER.	[]
SPEC.	10E106Y730G1
CAT.NO.	EM7079T
HP	20//15 T. CODE T3C
VOLTS	230/460//190/380
AMPS	54/27//50/25
RPM	1180//980
HZ	60//50 PH 3 CL B
SER.F.	1.00 DES A CODE H
RATING	40C AMB-CONT
FRAME	286T NEMA-NOM-EFF 91.7
USABLE AT 208V	56 PF 77
BLANK	[]

Parts List		
Part Number	Description	Quantity
SA200559	SA 10E106Y730G1	1.000 EA
RA187871	RA 10E106Y730G1	1.000 EA
09FN3001C02	EXTERNAL FAN, PLASTIC	1.000 EA
12CB1001A01	K.O.BOX, MACH X-PROOF, 1.50 NPT HOLE	1.000 EA
10XN3118K16	5/16-18 X 1' GRADE #5, STL, ZINC PLATE	4.000 EA
HW1001A31	LOCKWASHER 5/16, ZINC PLT.591 OD, .319 I	4.000 EA
WD1000B16	T&B CX70TN TERMINAL	1.000 EA
10XN2520K06	1/4-20 X 3/8" HX HD SCREWGRADE 5, ZINC P	1.000 EA
HW1001A25	LOCKWASHER 1/4, ZINC PLT .493 OD, .255 I	1.000 EA
10EP1701A01	FR ENDPLATE, MACH	1.000 EA
HA3050A03	3/8-16 X 2.25" GRADE 8 BOLT	4.000 EA
HW1001A38	LOCKWASHER 3/8, ZINC PLT .688 OD, .382 I	4.000 EA
HW5100A11	W3917-042 WVY WSHR (WB)	1.000 EA
10EP1709A08	PU ENDPLATE, X-PROOF W/LABYRINTH SHAFT G	1.000 EA
HA3050A03	3/8-16 X 2.25" GRADE 8 BOLT	4.000 EA
HW1001A38	LOCKWASHER 3/8, ZINC PLT .688 OD, .382 I	4.000 EA
10XN2520K40	1/4-20 X 2-1/2 HEX HD CAPSCREW, GRADE 5,Z	4.000 EA
HW1001A25	LOCKWASHER 1/4, ZINC PLT .493 OD, .255 I	4.000 EA
10FH1008A01	310 FAN HOUSING X-PROOF MACH.	1.000 EA
10XN3118K12	5/16-18 X .75 GRADE 5, ZINC PLATED	3.000 EA
HW1001A31	LOCKWASHER 5/16, ZINC PLT.591 OD, .319 I	3.000 EA
12CB1501A01	COND.BOX LID, MACH., X-PROOF, 310,312	1.000 EA
10XN3816K20	3/8-16 X 1.25 HEX HD CAP GRADE 5	6.000 EA
HW1001A38	LOCKWASHER 3/8, ZINC PLT .688 OD, .382 I	6.000 EA

Parts List (continued)		
Part Number	Description	Quantity
HW2501H28	KEY, 1/2 SQ X 3.250	1.000 EA
LB1115N	LABEL,LIFTING DEVICE (ON ROLLS)	1.000 EA
LB1073	ALUM XP CAUTION LABEL	1.000 EA
MN416A01	TAG-INSTAL-MAINT no wire (1000/bx) 11/14	1.000 EA
WD4100A03	DE-750 HEYCO PLUG 62MP0750 MICRO PLASTIC	1.000 EA
HW4500A20	1/8NPT SL PIPE PLUG	2.000 EA
MJ1000A02	GREASE, POLYREX EM EXXON (USe 4824-15A)	0.130 LB
HW4500A20	1/8NPT SL PIPE PLUG	2.000 EA
HW2500A25	WOODRUFF KEY USA #1008 #BLOW CARBON STEE	1.000 EA
51XB1214A20	12-14X1.25 HXWSSLD SERTYB	1.000 EA
MG1025G05	WILKOFASST, 789.227, MED. GRAY CHAR. MET.	0.125 GA
85XU0407S04	4X1/4 U DRIVE PIN STAINLESS	6.000 EA
LB1119N	WARNING LABEL	1.000 EA
LC0181	CONNECTION LABEL	1.000 EA
NP1426XPSLEV	SS XP UL CSA-EEV CC CL-I GP-D	1.000 EA
12PA1000	PACKAGING GROUP PRINT PK1024A06	1.000 EA

AC Induction Motor Performance Data

Record # 32058 - Typical performance - not guaranteed values

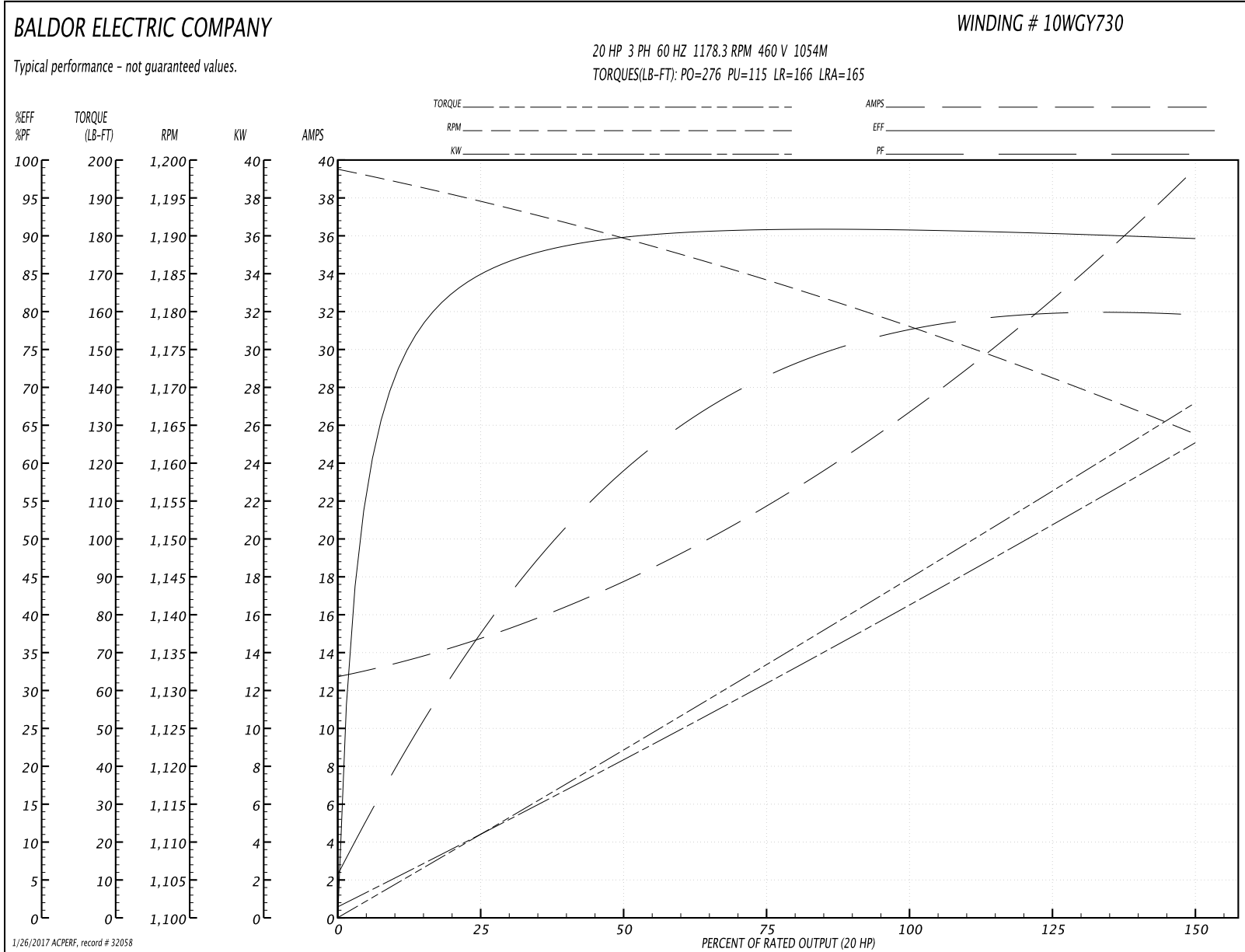
Winding: 10WGY730-R004	Type: 1054M	Enclosure: XPFC
-------------------------------	--------------------	------------------------

Nameplate Data				460 V, 60 Hz: High Voltage Connection	
Rated Output (HP)	15//20			Full Load Torque	89.4 LB-FT
Volts	190/380//230/460			Start Configuration	direct on line
Full Load Amps	50/25//54/27			Breakdown Torque	276 LB-FT
R.P.M.	980//1180			Pull-up Torque	115 LB-FT
Hz	50//60	Phase	3	Locked-rotor Torque	166 LB-FT
NEMA Design Code	A	KVA Code	H	Starting Current	165 A
Service Factor (S.F.)	1			No-load Current	13.1 A
NEMA Nom. Eff.	91.7	Power Factor	77	Line-line Res. @ 25°C	0.39486 Ω
Rating - Duty	40C AMB-CONT			Temp. Rise @ Rated Load	65°C
				Locked-rotor Power Factor	32
				Rotor inertia	6.61 LB-FT ²

Load Characteristics 460 V, 60 Hz, 20 HP

% of Rated Load	25	50	75	100	125	150
Power Factor	39	60	71	77	79	80
Efficiency	86.6	91.1	91.9	91.7	90.9	89.8
Speed	1194.6	1189.5	1184.1	1178.3	1171.4	1163.8
Line amperes	14.3	17.5	21.9	26.9	32.7	39.3

Performance Graph at 460V, 60Hz, 20.0HP Typical performance - Not guaranteed values



AC Induction Motor Performance Data

Record # 32059 - Typical performance - not guaranteed values

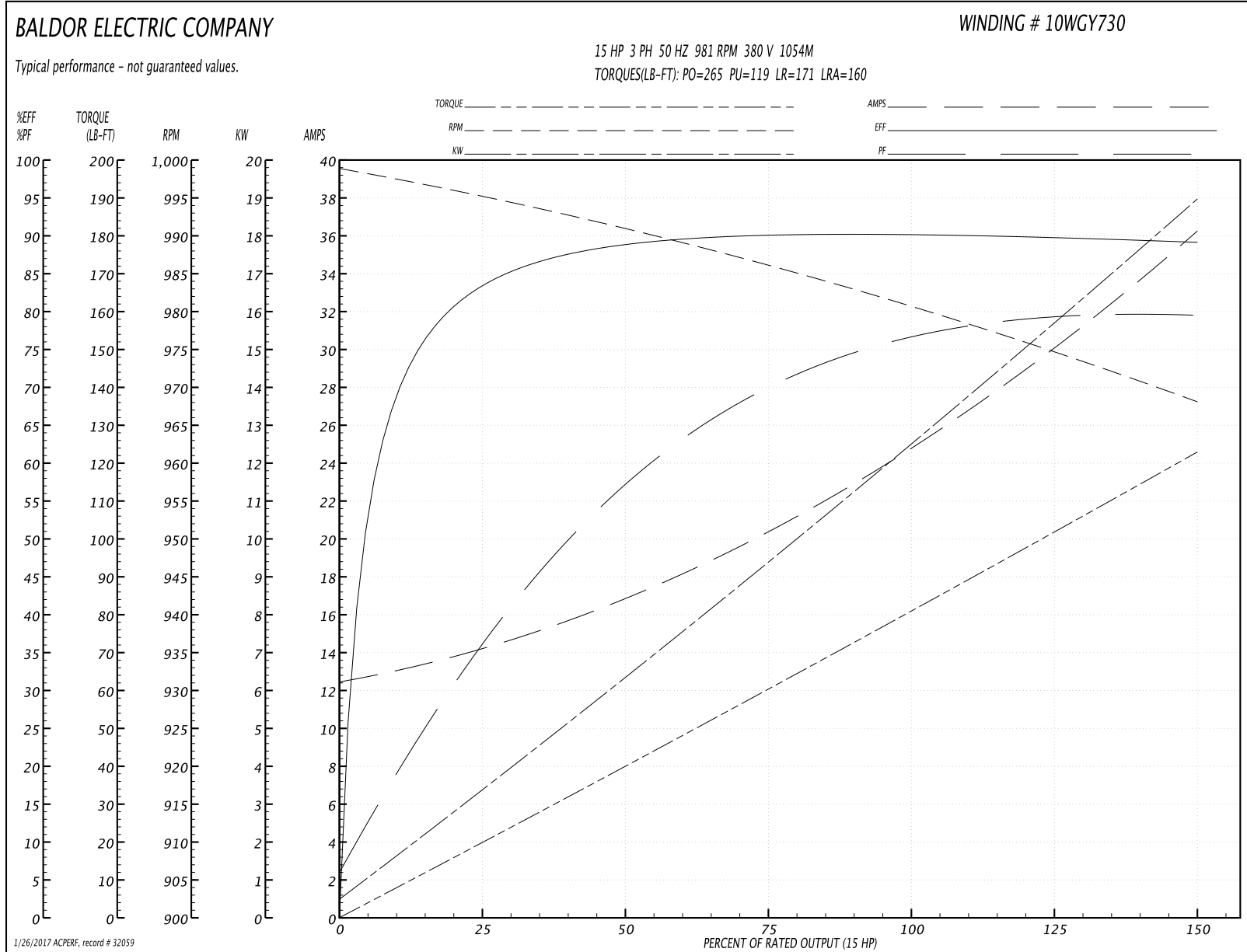
Winding: 10WGY730-R004	Type: 1054M	Enclosure: XPFC
-------------------------------	--------------------	------------------------

Nameplate Data				380 V, 50 Hz: High Voltage Connection	
Rated Output (HP)	15//20			Full Load Torque	80.5 LB-FT
Volts	190/380//230/460			Start Configuration	direct on line
Full Load Amps	50/25//54/27			Breakdown Torque	265 LB-FT
R.P.M.	980//1180			Pull-up Torque	119 LB-FT
Hz	50//60	Phase	3	Locked-rotor Torque	171 LB-FT
NEMA Design Code	A	KVA Code	H	Starting Current	160 A
Service Factor (S.F.)	1			No-load Current	12.8 A
NEMA Nom. Eff.	91.7	Power Factor	77	Line-line Res. @ 25°C	0.403 Ω
Rating - Duty	40C AMB-CONT			Temp. Rise @ Rated Load	58°C
				Locked-rotor Power Factor	35
				Rotor inertia	6.61 LB-FT ²

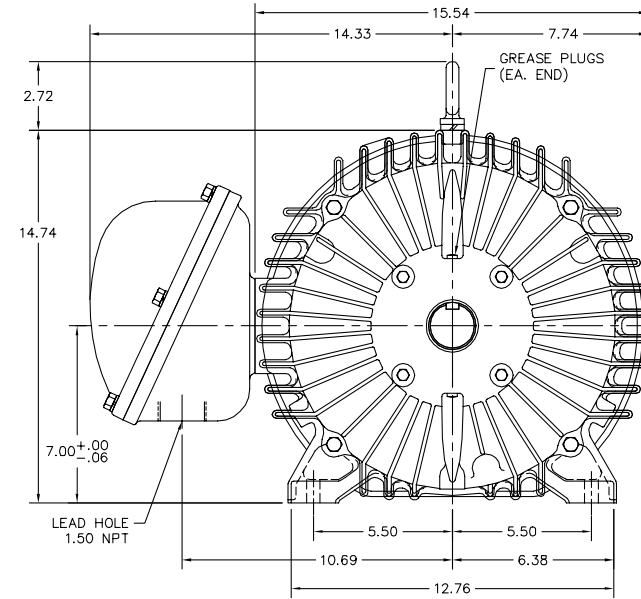
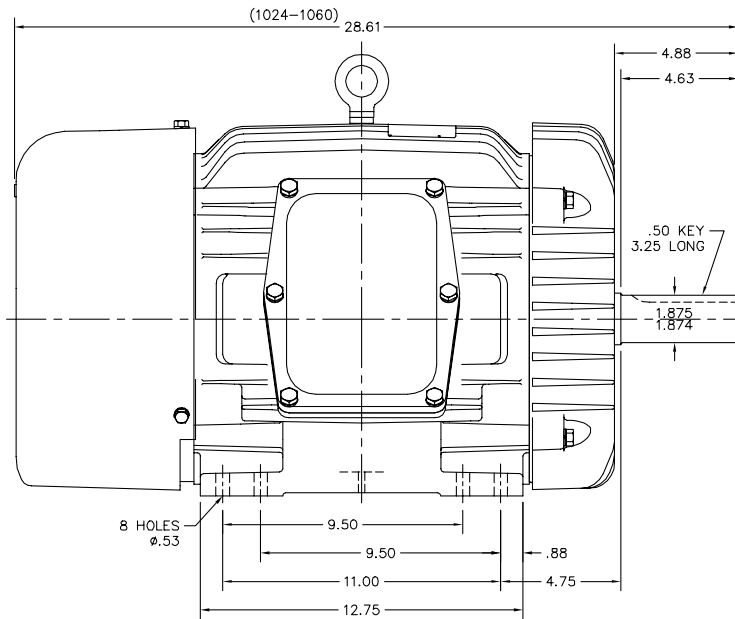
Load Characteristics 380 V, 50 Hz, 15 HP

% of Rated Load	25	50	75	100	125	150
Power Factor	38	58	69	76	79	80
Efficiency	82.8	88.6	90.4	90.3	89.6	89.2
Speed	995	991	986	981	975	968
Line amperes	13.8	16.6	20.5	24.9	30.1	36

Performance Graph at 380V, 50Hz, 15.0HP Typical performance - Not guaranteed values



10LYE106



10LYE106

CUSTOMER IS RESPONSIBLE FOR DETERMINING THAT BALDOR'S PRODUCT WILL PERFORM SUITABLY IN THE INTENDED APPLICATION.

REV. DESC: CHG LD HL TO 1.50 NPT	VERSION: 03	TDR: 00000927404
REV. LTR: L	REVISD: 01:28:52 06/09/2015	BY: ENCARCO
FILE: \AAA\00001\944		
MTL: -		

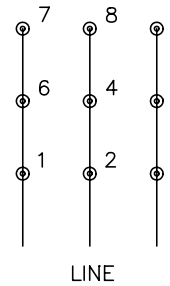
BALDOR

HORZ XPFC 284-6T CL.I GP.D,CL.II GP.F&G
SH 1 of 1

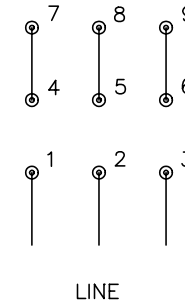
CD0180



LOW VOLTAGE
(2D)



HIGH VOLTAGE
(1D)



NOTES:

1. INTERCHANGE ANY TWO LINE LEADS TO REVERSE ROTATION.
2. OPTIONAL THERMOSTATS ARE PROVIDED WHEN SPECIFIED.
3. ACTUAL NUMBER OF INTERNAL PARALLEL CIRCUITS MAY BE A MULTIPLE OF THOSE SHOWN ABOVE.
4. LEAD COLORS ARE OPTIONAL. LEADS MUST ALWAYS BE NUMBERED AS SHOWN.

REV. DESC: REVISE TO SHOW OPTIONAL COLORS			
REV. LTR: C	BY: JLP	REVISED: 01/21/99 2:28	TDR: 0171435
0810D0		FILE: AAA00005148	MDL: -
		MTL: -	

BALDOR ELECTRIC Co.

3PH, DV, 9 LEADS, DELTA CONNECTION

CD0180