

BALDOR® • *RELIANCE*

Product Information Packet

IDBRPM281254

125HP, 1750/3550, 3PH, FL2898, TEBC, F3

Part Detail							
Revision:	-	Status:	PRD/A	Change #:		Proprietary:	No
Type:	AC	Prod. Type:		Elec. Spec:	L4053A	CD Diagram:	422927-001
Enclosure:	TEBC	Mfg Plant:		Mech. Spec:		Layout:	617532-001
Frame:	FL2898	Mounting:	F3	Poles:	04	Created Date:	04-10-2015
Base:		Rotation:	R	Insulation:	H	Eff. Date:	04-13-2015
Leads:						Replaced By:	
Literature:		Elec. Diagram:					

		DUTY	HP	RPM	AMPS	VOLTS	HZ			
	CONT		125	1780	156	460	60			
	CONT		125	3555	149	460	120			
CAT.NO.	IDBRPM281254			SPEC. NO.		P28T0308				
SER.NO.				FR	FL 2898	INSUL	H			
PH.	3	MAX SAFE SPEED		5000	AMB.	40			MIN. AMB.	0
DESIGN NO.	L4053A			TYPE		ENCL.	TEAO-BC			
S.F.	1.0			D.E. BRG.	75BC02J30X					
ENCL MOD				O.D.E. BRG.	55BC02J30X					

Parts List		
Part Number	Description	Quantity
WS286666	WS P28T0308	1.000 EA
RA282874	RA P28T0308	1.000 EA
000613006MY	NP-RPMAC INVERTER DUTY	1.000 EA
000692000FP	NP, WARNING LIFT INSTRUCTIONS	1.000 EA
000692000NH	LABEL DIRECTION AIR FL	1.000 EA
000692000VD	LABEL WARNING	1.000 EA
036170004EA	ROUND HEAD DRIVE SCREW	4.000 EA
418018122A	LABEL	2.000 EA
422927001	C/D LABEL	1.000 EA
004824015A	GREASE POLYREX EM	0.300 LB
034693001AB	PPLG - G508- use 034692001AB	1.000 EA
034693001AB	PPLG - G508- use 034692001AB	1.000 EA
035000001A	ALFTG 1/8" 1610-BL	1.000 EA
035000001A	ALFTG 1/8" 1610-BL	1.000 EA
036100070JA	HSHCS M8 70MM UNPLATED	3.000 EA
036100070KA	METRIC HSHCS	3.000 EA
036140001D	EYEBOLT - 360	2.000 EA
036500011AB	METRIC NUT M12-1.75 PLT.	4.000 EA
036500011AB	METRIC NUT M12-1.75 PLT.	4.000 EA
036600014AB	FLTW MOTOR MTG.	2.000 EA
400638001G	WAVEN	1.000 EA
418150003A	GREASE FITTING CAP	2.000 EA
602018077A	DRAIN	1.000 EA
602018077A	DRAIN	1.000 EA

Parts List (continued)		
Part Number	Description	Quantity
609830005ACE	TBOLT L2898	4.000 EA
807583003AAA	BRKT,DE,FL280	1.000 EA
807583004AAB	BRKT,ODE,FL280	1.000 EA
034530016AB	P/NIP 1/8X2 PLATED - 320	2.000 EA
034630001AJ	1/8" PIPE COUPLING	2.000 EA
036000012HB	HHCS M6X12MM LONG PLATED	4.000 EA
036000016KB	HHCSM10-1.5X16MM PLTD-280	2.000 EA
036000025JB	HHCS M8X25MM LONG PLATED	4.000 EA
036000025JB	HHCS M8X25MM LONG PLATED	4.000 EA
036321020HB	HEXSOCKET FLAT SCREW M	3.000 EA
036500009AB	METRIC NUTM8-1.25PLTD-360	4.000 EA
036600009AB	METRIC FLWASH M8 PLATED	4.000 EA
036610009AB	MHSLW M8 SPL.PLTD-G508- BS	4.000 EA
036620009AB	M8 EXTERNAL LK WASHER	1.000 EA
036620010AB	M10 EXT. TOOTH LK WASHER	2.000 EA
074875000A	CONDUIT BOX COVER	1.000 EA
14FH4801	CONICAL GRILLE FOR 250MM FAN, 290MM DIA.	1.000 EA
402731000A	GASK 320-400	1.000 EA
412043002E	PLUG	1.000 EA
415000103G	TLUG	1.000 EA
417733004AA	GASKET	2.000 EA
418018074A	GROUND LABEL G100 METRIC 160 D.C.	3.000 EA
418057373A	SCREW SHEET METAL	11.000 EA
610490005B	BLOWER MOTOR FL280/ 25E24	1.000 EA

Product Information Packet: IDBRPM281254 - 125HP, 1750/3550, 3PH, FL2898, TEBC, F3

613450024C	FAN TEBC FL BALDOR	1.000 EA
706320009A	CB, 2.00 CONDUIT, METRIC, SHEET METAL	1.000 EA
708533003A	PLATE, BTM FAN/BLOWER	2.000 EA
708535010A	FAN COVER FL280	1.000 EA
708535011A	BLOWER COVER GRILL FL280	1.000 EA
708535014A	FAN COVER BAFFLE FL280	1.000 EA
LC0034	CONNECTION LABEL	1.000 EA
000640000P	TAG WINDING THERMOST	1.000 EA
004824007K	SPECIAL PAINT	0.100 EA
034180032HA	KEY 5/8X5/8X4 L bin stocked	1.000 EA

REL. S.O.	-	VOLTS	460	ENCLOSURE	TEBC	WYE CONN EQ CKT OHMS PER PHASE (AT BASE RATING, 25 °C)
FRAME	FL2898	AMPS	156	MAX SAFE RPM	4800	
HP	125	DUTY	CONT	IM (AMPS)	76	R1 .0221 X1 .156
BASE SPEED	1780	S.F.	1.0	P.F. @NL/FL	.034/.802	R2 .0147 X2 .203
PHASE/HERTZ	3/60	AMB °C/INSUL	40/H	WK ² (LB-FT ²)	11.	X3 3.54

RATED FULL LOAD DATA

	RPM	HP	TORQUE LB-FT	FUND VOLTS	FREQ-HZ	AMPS
BASE SPEED	1781	125	369	460	60	157
MAX SPEED	3556	125	185	460	120	149
MIN SPEED	0	0	369	10.1	.642	157


LOAD PERFORMANCE AT BASE SPEED

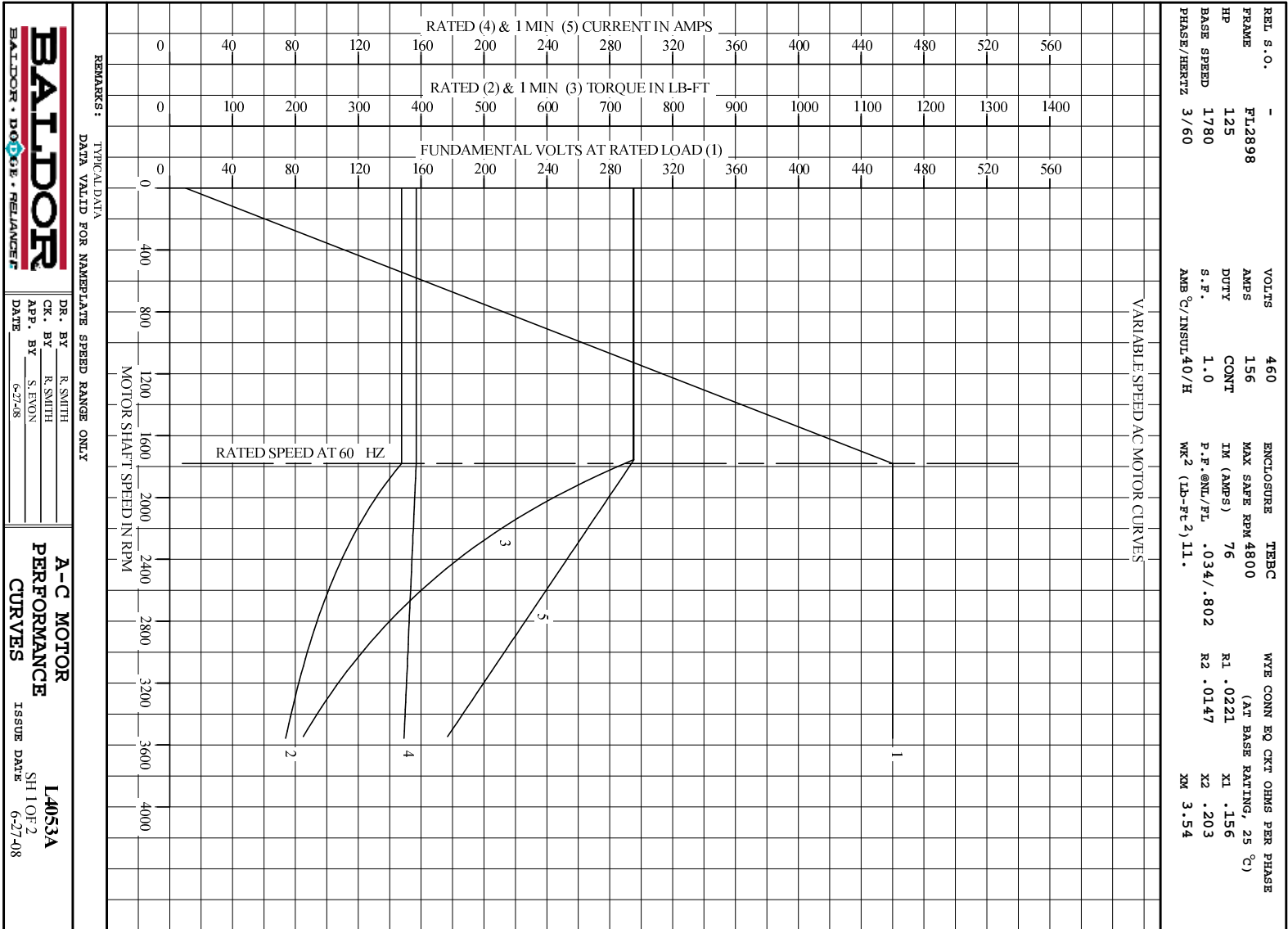
	RPM	HP	TORQUE LB-FT	FUND VOLTS	FREQ-HZ	AMPS
NO LOAD	1800	0	0	460	60	74.2
1/4	1795	31.3	92	460	60	83.6
1/2	1791	62.6	183	460	60	102
3/4	1786	93.7	276	460	60	127
FULL LOAD	1781	125	369	460	60	157
O/L	1757	247	737	460	60	295

BLOWER DATA

VOLTS	PH/HZ	FL AMPS	LR AMPS	FRAME	CFM

REMARKS: TYPICAL DATA

	DR. BY	R. SMITH	A-C MOTOR PERFORMANCE DATA L4053A ISSUE DATE 6-27-08
	CK. BY	R. SMITH	
	APP. BY	S. EVON	
	DATE	6-27-08	

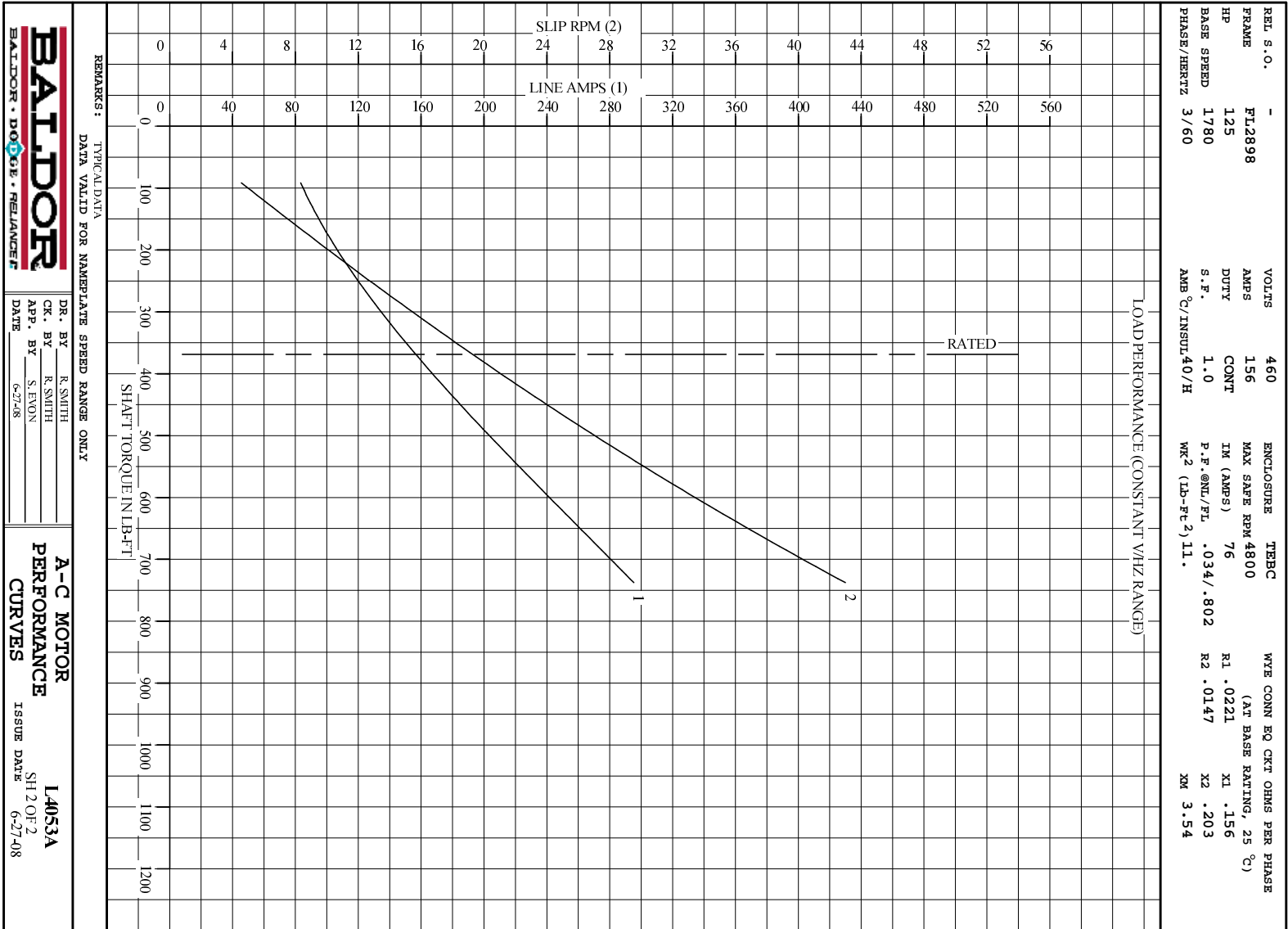


BALDOR
BALDOR • DOUGLASS • RELIANCE

DR. BY R. SMITH
CK. BY R. SMITH
APP. BY S. EVON
DATE 6-27-08

A-C MOTOR PERFORMANCE CURVES
L4053A
SH 1 OF 2
ISSUE DATE 6-27-08

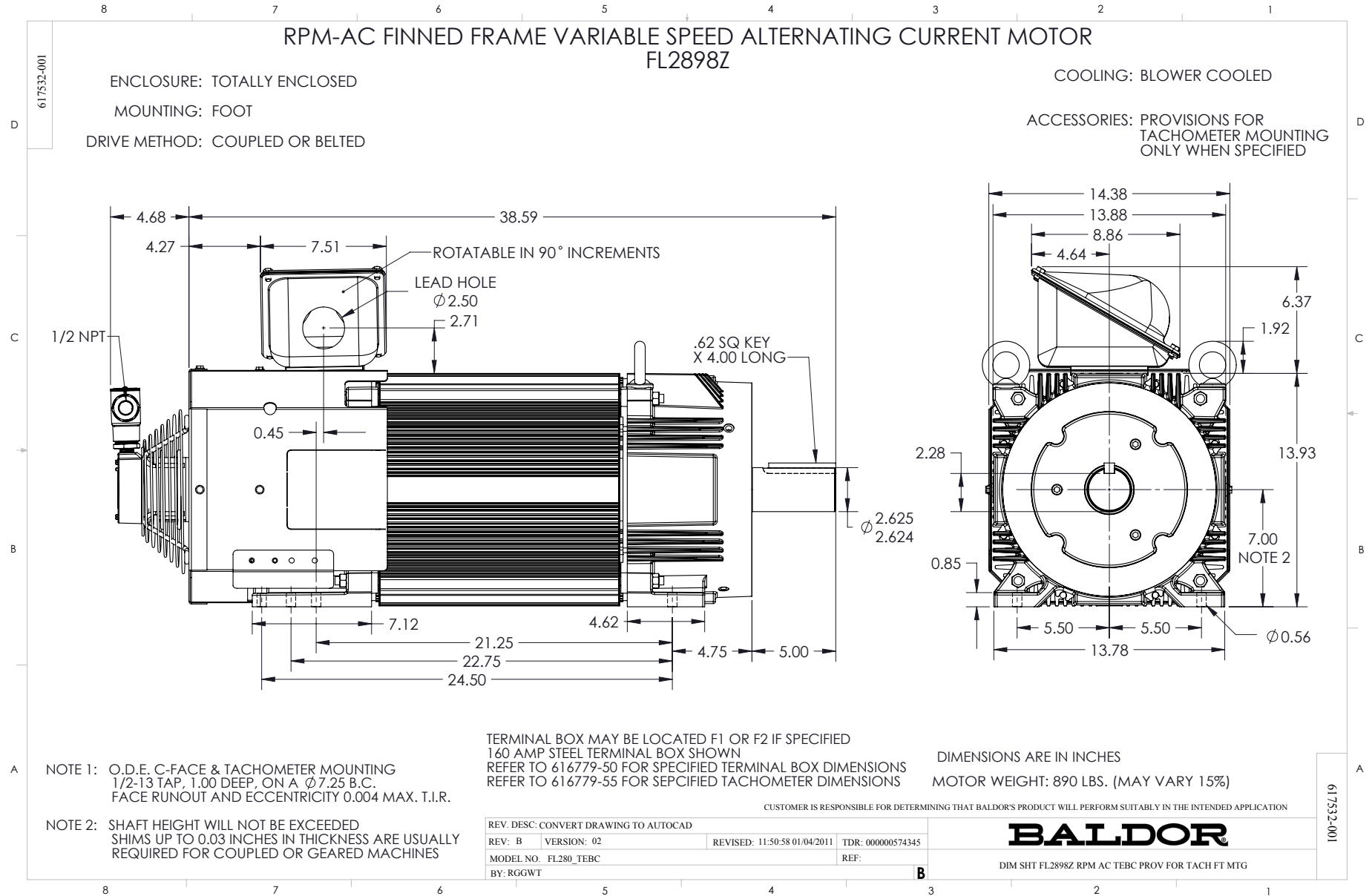
1



DR. BY R. SMITH
 CK. BY R. SMITH
 APP. BY S. EVON
 DATE 6-27-08

**A-C MOTOR
 PERFORMANCE
 CURVES**

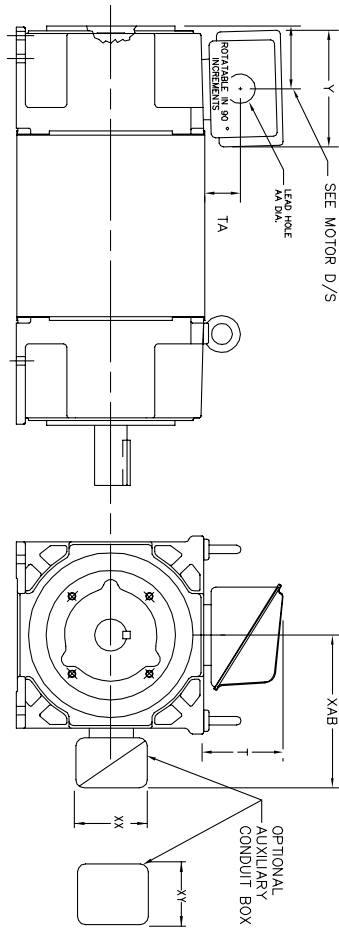
L4053A
 SH 2 OF 2
 ISSUE DATE 6-27-08



618779-050

INDUSTRIAL ALTERNATING CURRENT MOTORS RPM AC

STEEL, CAST IRON, MILL AND TERMINAL BOARD CONDUIT BOX DIMENSIONS
NEMA FRAMES FL210 thru RL280 and IEC FRAMES RDL132 thru RDL180
NEMA FRAMES FL180 thru FL280 and IEC FRAMES FDL112 thru FDL180



TERMINAL BOX	Y	TA	T	AA	MAX AMP'S	REMARKS
706310-63B	14.39	7.43	12.15	--	400	TERMINAL STRIP
706310-226R	9.00	3.06	5.40	Pg36 & Pq16	160	TERMINAL STRIP
706310-225R	7.25	2.30	4.40	Pg29 & Pq16	100	TERMINAL STRIP
706310-56B	9.00	3.06	5.40	Pg36 & Pq16	160	TERMINAL STRIP
706310-56A	7.75	2.30	4.40	Pg29 & Pq16	100	TERMINAL STRIP
706320-14D	15.00	7.56	12.81	5	510	CAST IRON
706320-13A	10.50	4.88	9.00	4.0 TAP	210	CAST IRON
706320-12B	9.25	4.81	8.56	3	140	CAST IRON
75460-62B	7.25	2.50	5.25	1.5 TAP	110	CAST IRON
706320-4C	5.75	2.38	4.38	1.0 TAP	60	CAST IRON FL180 ONLY
706310-3E	16.00	4.40	7.81	3	590	MILL
706310-3X	8.00	2.38	5.00	--	160	MILL
702658-1G	14.62	7.56	12.70	5	500	STEEL
706320-16A	9.00	4.12	8.44	4.59	305	STEEL
706320-9A	7.25	3.50	7.06	2.50	160	STEEL
75454-1AJ	7.69	2.38	5.25	1.94	121	STEEL
75452-B	6.34	2.00	4.12	1.75	61	STEEL
75452-G	6.34	2.00	4.12	--	61	SPECIAL
706320-5A	6.12	2.38	4.38	1.75/2.00	75	STEEL FL180 ONLY
706320-3A	5.00	1.62	3.00	1.12	40	STEEL FL180 ONLY
706320-7A	7.62	2.00	7.00	2.5/3.0	208	STEEL FL180 ONLY

FRAME SIZE	XAB	OPTIMAL AUXILIARY CONDUIT BOX DIMENSIONS (MAXIMUM)				PART NUMBER			
		XX	XY	XAB	XY				
FL210/FL132/RL210/RL132	7.38	4.25	4.25	6.0200-7-26-A	FL210/FL132/RL210/RL132	10.88	8.00	8.00	706310-3-B
FL220/FL180/RL220/RL180	8.44	4.23	4.23	6.0200-7-26-A	FL220/FL180/RL220/RL180	11.88	8.00	8.00	706310-3-B
FL280/FL180/RL280/RL180	9.12	4.23	4.23	6.0200-7-26-A	FL280/FL180/RL280/RL180	12.62	8.00	8.00	706310-3-B

- (1) 'AA' CONDUIT
- (2) 'AA' PIPE TAP
- (3) CUSTOMER TO PROVIDE HOLE FOR CONDUIT.
- (4) 'E' ON 'SA' OR 'I' TAP ON '4C'

TERMINAL BOX CAN BE ROTATED FOR LEAD OUTLET AT TOP, SIDES OR BOTTOM.
TERMINAL BOX LOCATED ON OPPOSITE SIDE WHEN F-2, W-1, W-4, W-5, W-7,
OR C-1 MOUNTING IS SPECIFIED. BOX LOCATED ON TOP WHEN SPECIFIED.

050-6071919

CUSTOMER IS RESPONSIBLE FOR DETERMINING THAT BALDOR'S PRODUCT WILL PERFORM SUITABLY IN THE INTENDED APPLICATION.

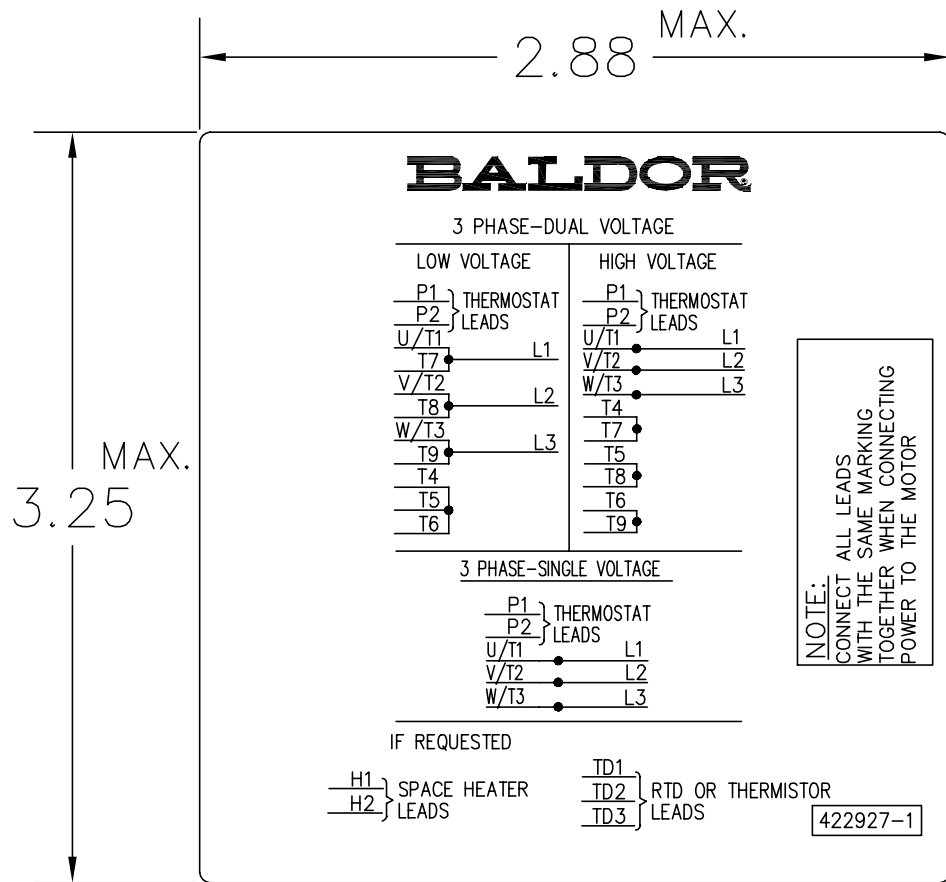
REV. DESC: BOX # 706320-9A, CHANGE AA DIM FROM 2 TO 2.50	TDR: 000000785386
REV. LTR: C	VERSION: 03
FILE: \RGG\00003\692	REVISED: 08:40:55 02/11/2013
MTL: -	BY: RGGWT

BALDOR

DIM SHT NEMA RL210-RL280 FL180-FL280 IEC RDL132-RDL180

SH 1 of 1

422927-001



NOTE:
DATA TO BE SIZED
SO THAT IT FITS INTO
MATERIAL DECAL
DIMENSIONS. MAKE
LETTERS & NUMBERS
AS LARGE AS POSSIBLE.

MATERIAL: CERAMATIC DGF-P4
PERMA GRIP ADHESIVE

ALL LETTERS, NUMBERS
AND LINES TO BE BLACK
ON WHITE BACKGROUND.

NOTE:
CONNECT ALL LEADS
WITH THE SAME MARKING
TOGETHER WHEN CONNECTING
POWER TO THE MOTOR

422927-001

REV. DESC: CHANGE BACKGROUND COLOR FROM GOLD TO WHITE			
REV. LTR: B	VERSION: 02	TDR: 000000788708	
FILE: \RGG\00000\203	REVISED: 08:09:29 03/04/2013		
MTL: -	BY: RGGWT		

BALDOR

EXTERNAL CONNECTION LABEL

SH 1 of 1

Marketing maintained PDF of MN406:

<http://www.baldor.com/support/Literature/Load.ashx/MN406?ManNumber=MN406>