

BALDOR® • **RELIANCE**

Product Information Packet

L1322T

2HP,1725RPM,1PH,60HZ,145T,3532LC,OPEN,F1

Part Detail							
Revision:	J	Status:	PRD/A	Change #:		Proprietary:	No
Type:	AC	Prod. Type:	3532LC	Elec. Spec:	35WGX966	CD Diagram:	CD0016A01
Enclosure:	OPEN	Mfg Plant:		Mech. Spec:	35EE002	Layout:	35LYEE002
Frame:	145T	Mounting:	F1	Poles:	04	Created Date:	12-22-2009
Base:	RG	Rotation:	R	Insulation:	B	Eff. Date:	03-17-2016
Leads:	4#14 A PH,3#18 B PH					Replaced By:	
Literature:		Elec. Diagram:					

Nameplate NP1256L										
CAT.NO.	L1322T									
SPEC.	35EE002X966									
HP	2									
VOLTS	115/208-230									
AMP	20.4/10.3-10.2									
RPM	1725									
FRAME	145T					HZ	60		PH	1
SER.F.	1.15					CODE	J		DES	L
NEMA-NOM-EFF	75.5					PF	85		CLASS	B
RATING	40C AMB-CONT									
CC									USABLE AT 208V	
DE	6205					ODE	6203			
ENCL	OPEN					SN				

Parts List		
Part Number	Description	Quantity
SA189065	SA 35EE002X966	1.000 EA
RA176784	RA 35EE002X966	1.000 EA
OC3015F12SP	CYL OIL CAP 15MFD/370V	1.000 EA
EC1850A06SP	ELEC CAP 115V 2.0 X 4.3 X	1.000 EA
NS2512A01	INSULATOR, CONDUIT BOX X	1.000 EA
35CB3009	35 CB W/1.09 DIA. LEAD HOLE @ 6:	1.000 EA
51XB1016A07	10-16 X 7/16 HXWSSLD SERTYB	2.000 EA
11XW1032G06	10-32 X .38, TAPTITE II, HEX WSHR SLTD U	1.000 EA
35FE3201A01	FREP ASSEMBLY FOR ROUTING	1.000 EA
HW4500A01	1641B(ALEMITE)400 UNIV, GREASE FITT	1.000 EA
51XW0832A07	8-32 X .44, TAPTITE II, HEX WSHR SLTD SE	2.000 EA
35CB3801	CAPACITOR COVER, CAST	1.000 EA
HA7010	CAPACITOR RETENTION CLAMP	1.000 EA
NS2501A02	INSULATOR, CAPACITOR BOX	1.000 EA
51XB1016A08	10-16X 1/2HXWSSLD SERTYB	2.000 EA
HW5100A03SP	WAVY WASHER (W1543-017)	1.000 EA
35PE3200A01	PUEP ASSEMBLY FOR ROUTING PURPOSES	1.000 EA
HW4500A01	1641B(ALEMITE)400 UNIV, GREASE FITT	1.000 EA
XY1032A02	10-32 HEX NUT DIRECTIONAL SERRATION	4.000 EA
35CB4521	35 LIPPED CB LID (GALV & PHOSPH)	1.000 EA
51XW0832A07	8-32 X .44, TAPTITE II, HEX WSHR SLTD SE	4.000 EA
HW2501D13	KEY, 3/16 SQ X 1.375	1.000 EA
HA7000A01	KEY RETAINER 7/8" DIA SHAFT	1.000 EA
85XU0407S04	4X1/4 U DRIVE PIN STAINLESS	2.000 EA

Parts List (continued)		
Part Number	Description	Quantity
MJ1000A02	GREASE, POLYREX EM EXXON (USe 4824-15A)	0.050 LB
MG1000G27	MED CHARCOAL METALLIC GREY 400-0096	0.017 GA
WD1000A15	3-520132-2 AMP FLAG (4M/RL NON-CANC/NON-	4.000 EA
HA3100A22	THRUBOLT 10-32 X 10.125	4.000 EA
34GS5003	FOAM SLEEVE, ID = 2 1/16" X 3 3/8"	2.000 EA
SP5181A03	MODEL 35 LC TORQ STAT SWITCH LEAD ASSY	1.000 EA
LB1119N	WARNING LABEL	1.000 EA
LC0016	CONNECTION LABEL	1.000 EA
MN416A01	TAG-INSTAL-MAINT no wire (1200/bx) 11/14	1.000 EA
NP1256L	ALUM UL CSA CC	1.000 EA
36PA1000	PKG GRP, PRINT PK1016A06	1.000 EA

Accessories		
Part Number	Description	Multiplier
35-8764	C FACE KIT	A8
35EP1604A01SP	D-FLANGE KIT	A8

AC Induction Motor Performance Data

Record # 36884 - Typical performance - not guaranteed values

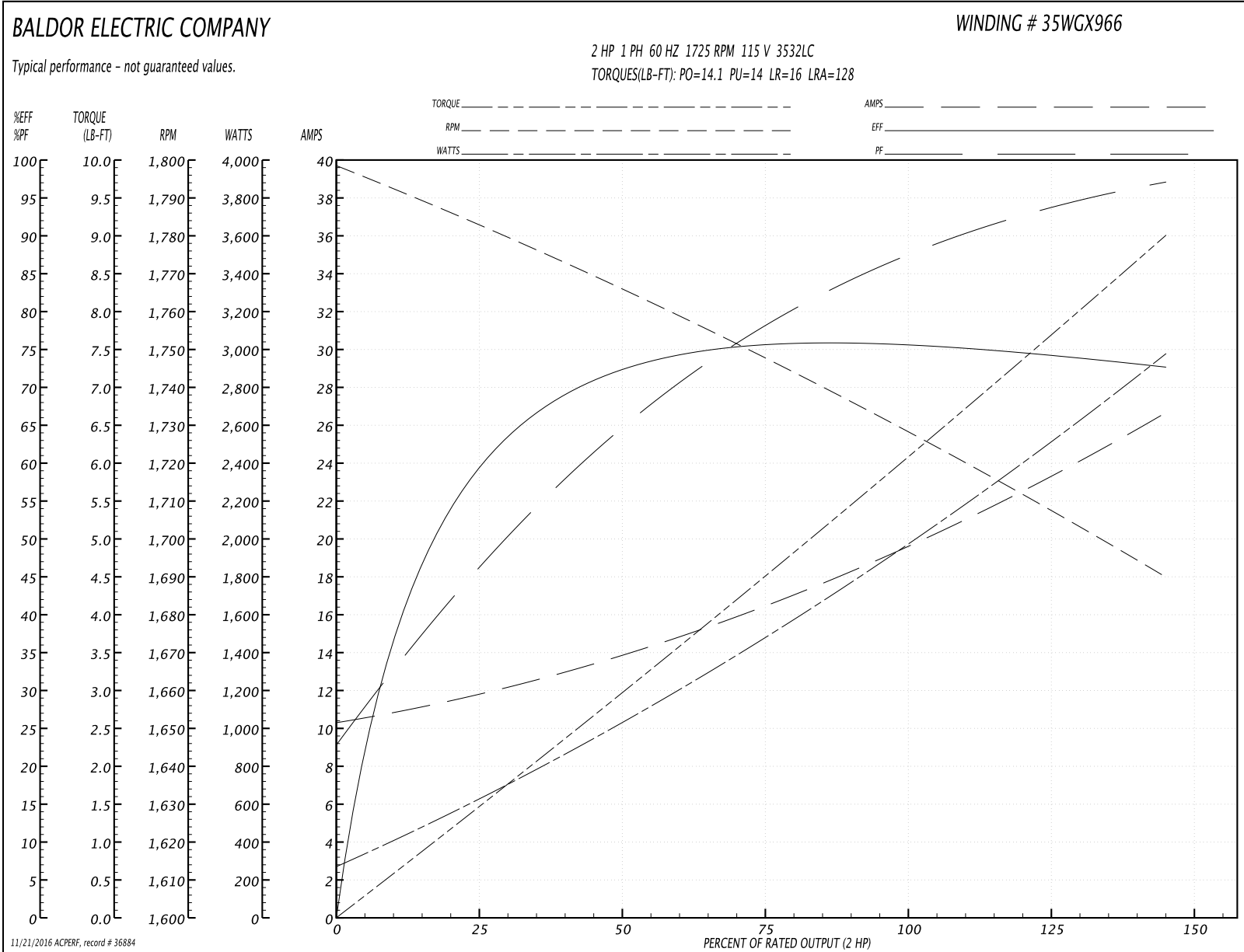
Winding: 35WGX966-R004	Type: 3532LC	Enclosure: OPEN
-------------------------------	---------------------	------------------------

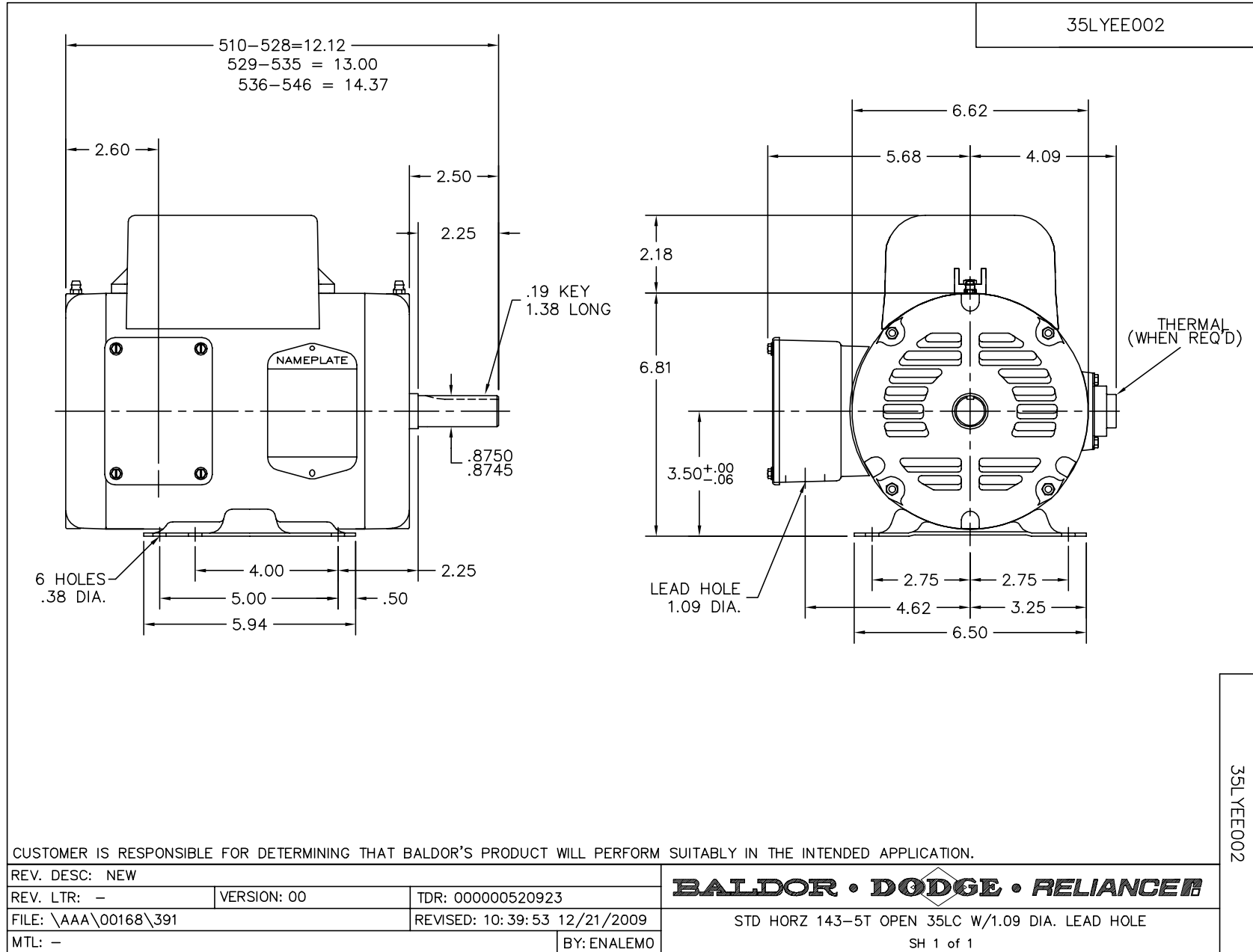
Nameplate Data				115 V, 60 Hz: Low Voltage Connection	
Rated Output (HP)	2			Full Load Torque	6 LB-FT
Volts	115/208-230			Start Configuration	direct on line
Full Load Amps	20.4/10.3-10.2			Breakdown Torque	14.1 LB-FT
R.P.M.	1725			Pull-up Torque	14 LB-FT
Hz	60	Phase	1	Locked-rotor Torque	16 LB-FT
NEMA Design Code	L	KVA Code	J	Starting Current	128 A
Service Factor (S.F.)	1.15			No-load Current	10.8 A
NEMA Nom. Eff.	75.5	Power Factor	85	Line-line Res. @ 25°C	0.34 Ω A Ph 1.11 Ω B Ph
Rating - Duty	40C AMB-CONT			Temp. Rise @ Rated Load	68°C
S.F. Amps				Temp. Rise @ S.F. Load	80°C

Load Characteristics 115 V, 60 Hz, 2 HP

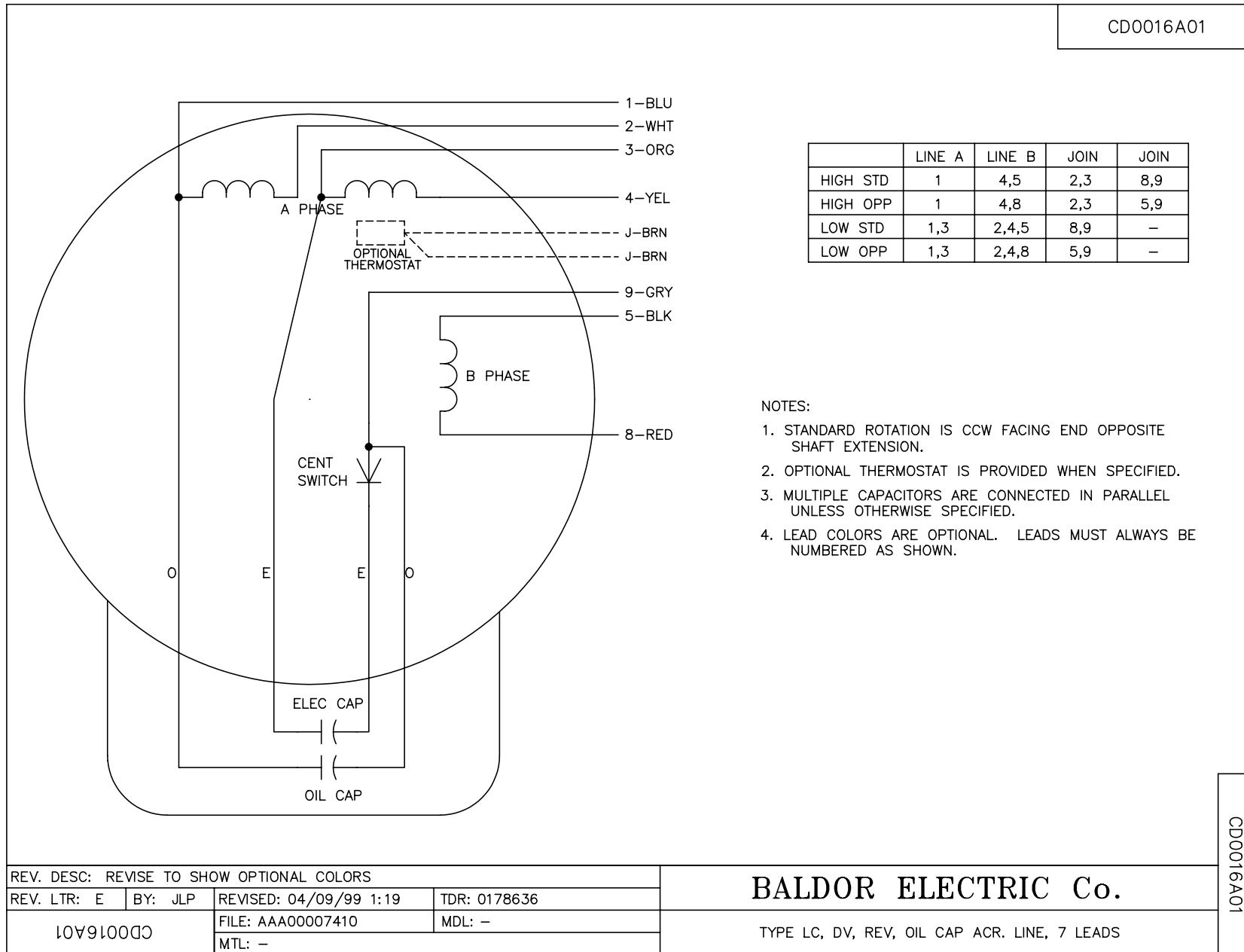
% of Rated Load	25	50	75	100	125	150	S.F.
Power Factor	50	67	79	85	89	100	87
Efficiency	58	73.1	75.8	75.9	74.2	72.7	74.9
Speed	1782	1767	1750	1729	1705	1693	1715
Line amperes	11.4	13.4	16.2	19.8	24	25.8	22.3

Performance Graph at 115V, 60Hz, 2.0HP Typical performance - Not guaranteed values





CD0016A01



REV. DESC: REVISE TO SHOW OPTIONAL COLORS			
REV. LTR: E	BY: JLP	REVISED: 04/09/99 1:19	TDR: 0178636
CD0016A01		FILE: AAA00007410	MDL: -
		MTL: -	

BALDOR ELECTRIC Co.

TYPE LC, DV, REV, OIL CAP ACR. LINE, 7 LEADS

CD0016A01