

# **BALDOR® • RELIANCE**

## **Product Information Packet**

### **M1021T**

**1.5/.67HP, 1725/1140RPM, 3PH, 60HZ, 182T**

Part Detail							
Revision:	V	Status:	PRD/A	Change #:		Proprietary:	No
Type:	AC	Prod. Type:	3623M	Elec. Spec:	36WG0450	CD Diagram:	CD0013
Enclosure:	OPEN	Mfg Plant:		Mech. Spec:	36B001	Layout:	36LYB001
Frame:	182T	Mounting:	F1	Poles:	04/06	Created Date:	
Base:	RG	Rotation:	R	Insulation:	B	Eff. Date:	04-02-2015
Leads:	6#16					Replaced By:	
Literature:		Elec. Diagram:					

Nameplate NP1256L										
CAT.NO.	M1021T									
SPEC.	36B01-450									
HP	1.5/.67									
VOLTS	208-230									
AMP	4.4/2.8									
RPM	1725/1140									
FRAME	182T				HZ	60			PH	3
SER.F.	1.15		CODE	H	DES	-		CLASS	B	
NEMA-NOM-EFF			PF							
RATING	40C AMB-CONT									
CC									USABLE AT 208V	
DE	6206				ODE	6205				
ENCL	OPEN		SN							

Parts List		
Part Number	Description	Quantity
SA034196	SA 36B01-450	1.000 EA
RA030224	RA 36B01-450	1.000 EA
36CB3004	36 CB CASTING W/1.09 DIA LEAD HOLE @ 6:0	1.000 EA
51XB1016A08	10-16X 1/2HXWSSLD SERTYB	2.000 EA
11XW1032G06	10-32 X .38, TAPTITE II, HEX WSHR SLTD U	1.000 EA
HW3001B01	BRASS CUP WASHER, FOR #8 SCREW	1.000 EA
36EP3200A01	FR ENDPLATE, ASSEMBLY FOR ROUTING	1.000 EA
HW4500A01	1641B(ALEMITE)400 UNIV, GREASE FITT	1.000 EA
HW5100A05	WVY WSHR F/205 & 304 BRGS	1.000 EA
36PE3201A01	PU ENDPLATE, ASSEMBLY FOR ROUTING	1.000 EA
HW4500A01	1641B(ALEMITE)400 UNIV, GREASE FITT	1.000 EA
XY2520A12	1/4-20 HEX NUT, DIRECTIONAL SERRATIONS	4.000 EA
36CB4516	36 LIPPED CB LID	1.000 EA
51XW0832A07	8-32 X .44, TAPTITE II, HEX WSHR SLTD SE	4.000 EA
HW2501E16	3KEY, 1/4 SQ X 1.750	1.000 EA
HA7000A02	KEY RETAINER RING, 1 1/8 DIA, 1 3/8 DIA	1.000 EA
85XU0407S04	4X1/4 U DRIVE PIN STAINLESS	2.000 EA
MJ1000A02	GREASE, POLYREX EM EXXON (USe 4824-15A)	0.050 LB
MG1000G27	MED CHARCOAL METALLIC GREY 400-0096	0.022 GA
HA3101A23	THRUBOLT 1/4-20 X 9.625 DEMBY	4.000 EA
LB1119N	WARNING LABEL	1.000 EA
LC0013	CONNECTION LABEL	1.000 EA
NP1256L	ALUM UL CSA CC	1.000 EA
36PA1000	PKG GRP, PRINT PK1016A06	1.000 EA

<b>Parts List (continued)</b>		
<b>Part Number</b>	<b>Description</b>	<b>Quantity</b>
MN416A01	TAG-INSTAL-MAINT no wire (1200/bx) 11/14	1.000 EA

<b>Accessories</b>		
<b>Part Number</b>	<b>Description</b>	<b>Multiplier</b>
36-3403	C FACE KIT	A8
36EP1405A09SP	D-FLANGE KIT	A8

**AC Induction Motor Performance Data**

Record # 10483 - Typical performance - not guaranteed values

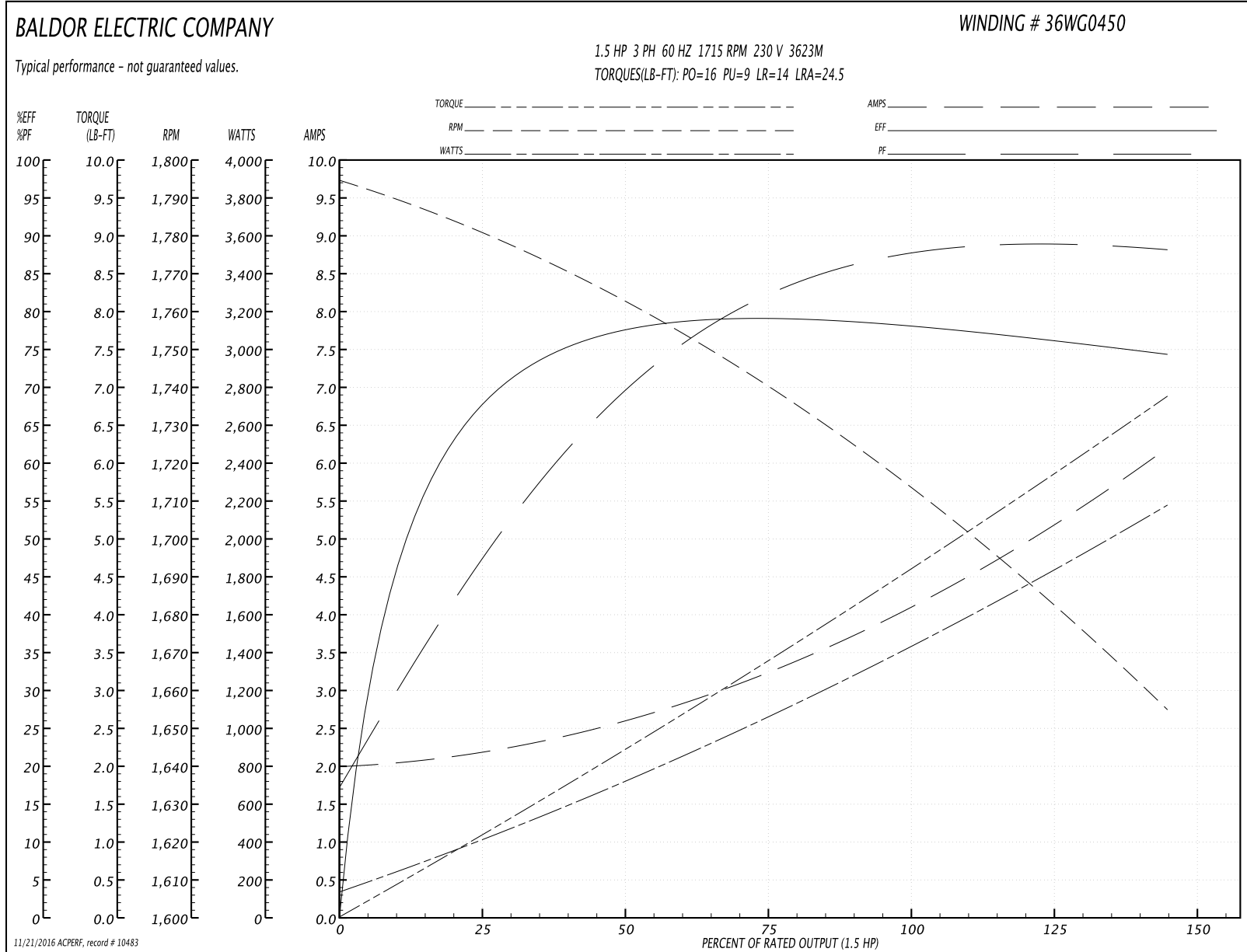
<b>Winding:</b> 36WG0450-R001	<b>Type:</b> 3623M	<b>Enclosure:</b> OPEN
-------------------------------	--------------------	------------------------

Nameplate Data				230 V, 60 Hz: High Speed Connection	
Rated Output (HP)	1.5/.67			Full Load Torque	4.6 LB-FT
Volts	208-230			Start Configuration	direct on line
Full Load Amps	4.4/2.8			Breakdown Torque	16 LB-FT
R.P.M.	1725/1140			Pull-up Torque	9 LB-FT
Hz	60	Phase	3	Locked-rotor Torque	14 LB-FT
NEMA Design Code	-	KVA Code	H	Starting Current	24.5 A
Service Factor (S.F.)	1.15			No-load Current	2 A
NEMA Nom. Eff.	0	Power Factor	0	Line-line Res. @ 25°C	5.05 Ω
Rating - Duty	40C AMB-CONT			Temp. Rise @ Rated Load	28°C
S.F. Amps				Temp. Rise @ S.F. Load	39°C

Load Characteristics 230 V, 60 Hz, 1.5 HP

% of Rated Load	25	50	75	100	125	150	S.F.
Power Factor	48	70	81	87	90	92	0
Efficiency	66.9	76.8	79	78.7	76.9	73.9	0
Speed	1779	1760	1739	1715	1687	1653	0
Line amperes	2.2	2.6	3.3	4.1	5.1	6.2	4.7

Performance Graph at 230V, 60Hz, 1.5HP Typical performance - Not guaranteed values



**AC Induction Motor Performance Data**

Record # 10484 - Typical performance - not guaranteed values

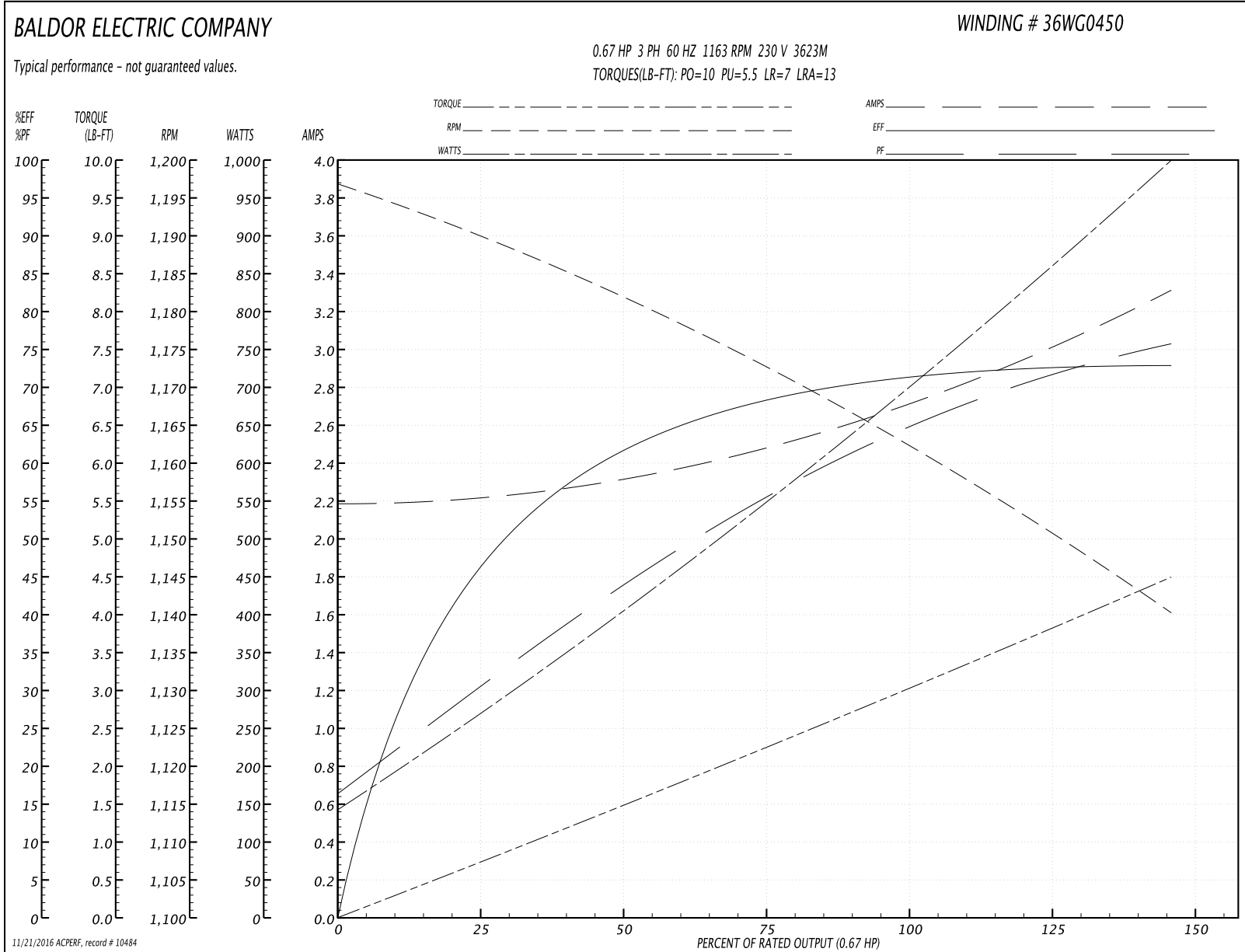
<b>Winding:</b> 36WG0450-R001	<b>Type:</b> 3623M	<b>Enclosure:</b> OPEN
-------------------------------	--------------------	------------------------

Nameplate Data				230 V, 60 Hz: Low Speed Connection	
Rated Output (HP)	1.5/.67			Full Load Torque	3 LB-FT
Volts	208-230			Start Configuration	direct on line
Full Load Amps	4.4/2.8			Breakdown Torque	10 LB-FT
R.P.M.	1725/1140			Pull-up Torque	5.5 LB-FT
Hz	60	Phase	3	Locked-rotor Torque	7 LB-FT
NEMA Design Code	-	KVA Code	H	Starting Current	13 A
Service Factor (S.F.)	1.15			No-load Current	2.2 A
NEMA Nom. Eff.	0	Power Factor	0	Line-line Res. @ 25°C	8.79 Ω
Rating - Duty	40C AMB-CONT			Temp. Rise @ Rated Load	26°C
S.F. Amps				Temp. Rise @ S.F. Load	34°C

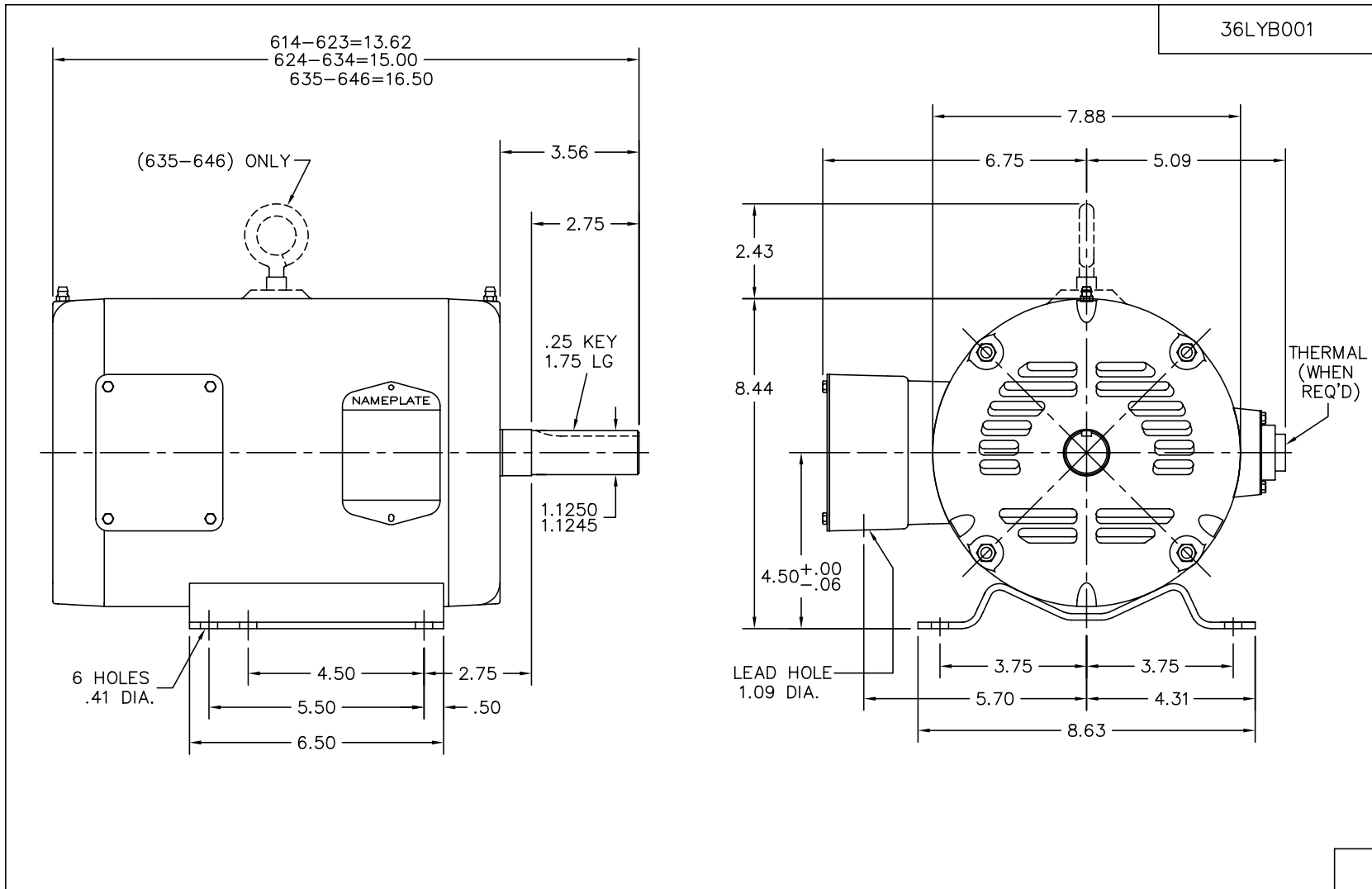
Load Characteristics 230 V, 60 Hz, 0.67 HP

% of Rated Load	25	50	75	100	125	150	S.F.
Power Factor	30	44	55	65	72	78	0
Efficiency	46.1	61.5	68.4	71.5	72.7	72.7	0
Speed	1190	1181	1173	1163	1152	1140	0
Line amperes	2.2	2.3	2.5	2.7	3	3.3	2.9

Performance Graph at 230V, 60Hz, 0.67HP Typical performance - Not guaranteed values



11/21/2016 ACPERF: record # 10484



36LYB001

CUST. NAME		CUST. P.O.		CERTIFIED BY		MODEL		INSUL		AMB	
H.P.		MTG		TYPE		R.P.M.		VOLTS		ENCL	
PHASE		FREQ		FRAME		REV. DESC: CHG'D TO HAVE NEW NEC CONDUIT BOX					
REV. LTR: M		BY: JD		REVISED: 05/19/99 3:45		TDR: 0181963					
36LYB001		FILE: AAA00002559		MDL: -							
MTL: -		STANDARD HORZ NEMA 182-4T OPEN 36M									

36LYB001

