

BALDOR® • *RELIANCE*

Product Information Packet

RL1203A

.25HP, 1725RPM, 1PH, 60HZ, 48, 3411L, OPEN, F1

Part Detail							
Revision:	E	Status:	PRD/A	Change #:		Proprietary:	No
Type:	AC	Prod. Type:	3411L	Elec. Spec:	34WG5603	CD Diagram:	CD0052
Enclosure:	OPEN	Mfg Plant:		Mech. Spec:	34K014	Layout:	34LYK014
Frame:	48	Mounting:	F1	Poles:	04	Created Date:	03-11-2013
Base:	RS	Rotation:	RS	Insulation:	B	Eff. Date:	05-16-2016
Leads:	7#18					Replaced By:	
Literature:		Elec. Diagram:					

Nameplate NP1257L	
CAT.NO.	RL1203A
SPEC.	34K014-5603G5
HP	.25
VOLTS	115/230
AMP	5/2.5
RPM	1725
FRAME	48
	HZ 60
	PH 1
SER.F.	1.25
	CODE L
	DES N
	CL B
NEMA-NOM-EFF	55
	PF 57
RATING	40C AMB-CONT
CC	USABLE AT 208V 3
DE	6203
	ODE 6203
ENCL	OPEN
	SN
	SFA 5.4/2.7

Parts List		
Part Number	Description	Quantity
SA259728	SA 34K014-5603G5	1.000 EA
RA246484	RA 34K014-5603G5	1.000 EA
EC1130A02SP	ELEC CAP, 130-156 MFD, 125V, 1.48D X 3.3	1.000 EA
34CB4501SP	TERMINAL BOX LID, STAMPED X (PLATED)	1.000 EA
51XW0832A07	8-32 X .44, TAPTITE II, HEX WSHR SLTD SE	2.000 EA
WD1000A16	2-520128-2 AMP FLAG TERMINAL(4M/RL)	8.000 EA
11XT0832G06	8-32 X 3/8 TY 23 TAPPING	1.000 EA
LD5000A52	LEAD ASSY W/INTERNAL STAR RING TERMINALS	1.000 EA
11XW1032G06	10-32X3/8 HX WSHR HD,SLTDTYPE 23,GREEN	2.000 EA
51XW0832A07	8-32 X .44, TAPTITE II, HEX WSHR SLTD SE	3.000 EA
34EP3202A01SP	FR ENDPLATE, MACH	1.000 EA
RM1000A03	CUSHION RING, MDL 17-33-34	1.000 EA
HA6004A01A	CLAMP CUSHION RING ASSY	1.000 EA
WD4100A01	DP-875 HEYCO PLUG OR 62MP0875 MICRO PLAS	1.000 EA
34CB4800SP	CAPACITOR COVER, STAMPED PRIMED	1.000 EA
NS2500A01	INSULATOR, AUTO THER PROT	1.000 EA
51XB1016A05	10-16X5/16HX WA SL SR TYB (F/S)	2.000 EA
HW5100A03SP	WAVY WASHER (W1543-017)	1.000 EA
34EP3203A01	PU ENDPLATE, MACH	1.000 EA
XY1032A02	10-32 HEX NUT DIRECTIONAL SERRATION	4.000 EA
RM1000A03	CUSHION RING, MDL 17-33-34	1.000 EA
HA6004A01A	CLAMP CUSHION RING ASSY	1.000 EA
10XF0440S02	04-40 X 1/8 TYPE F HEX HD STAINLESS STIC	2.000 EA
34BA4001A01SP	RESILIENT BASE, 408-416	1.000 EA

Parts List (continued)		
Part Number	Description	Quantity
WD1000A16	2-520128-2 AMP FLAG TERMINAL(4M/RL)	7.000 EA
SP5068A01	34L TERM PANEL STAT SWITCH #E-6"	1.000 EA
MN416A01	TAG-INSTAL-MAINT no wire (1200/bx) 11/14	1.000 EA
HA3100A12	THRUBOLT 10-32 X 7.375	4.000 EA
LB1118	LABEL,WARNING (ROLL LABEL)	1.000 EA
LC0052	CONNECTION LABEL	1.000 EA
NP1257L	ALUM UL CSA CC THERMAL REV MTG	1.000 EA
34PA1002	PKG GRP, PRINT PK1001A01	1.000 EA

AC Induction Motor Performance Data

Record # 41577 - Typical performance - not guaranteed values

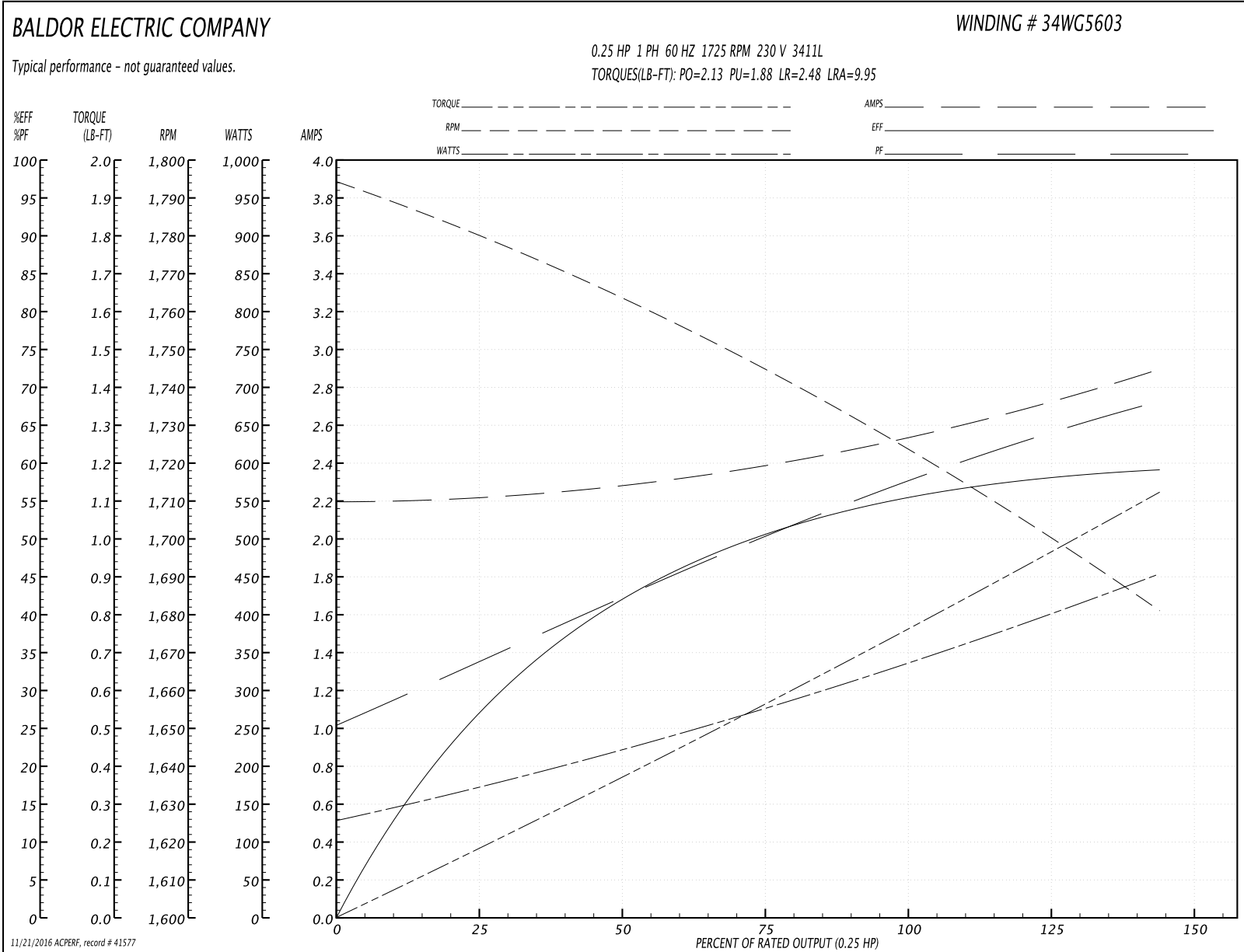
Winding: 34WG5603-R003	Type: 3411L	Enclosure: OPEN
-------------------------------	--------------------	------------------------

Nameplate Data				230 V, 60 Hz: High Voltage Connection	
Rated Output (HP)	.25			Full Load Torque	0.75 LB-FT
Volts	115/230			Start Configuration	direct on line
Full Load Amps	5/2.5			Breakdown Torque	2.13 LB-FT
R.P.M.	1725			Pull-up Torque	1.88 LB-FT
Hz	60	Phase	1	Locked-rotor Torque	2.48 LB-FT
NEMA Design Code	N	KVA Code	L	Starting Current	9.95 A
Service Factor (S.F.)	1.25			No-load Current	2.2 A
NEMA Nom. Eff.	55	Power Factor	57	Line-line Res. @ 25°C	8.88 Ω A Ph 7.06 Ω B Ph
Rating - Duty	40C AMB-CONT			Temp. Rise @ Rated Load	42°C
S.F. Amps	5.4/2.7			Temp. Rise @ S.F. Load	50°C

Load Characteristics 230 V, 60 Hz, 0.25 HP

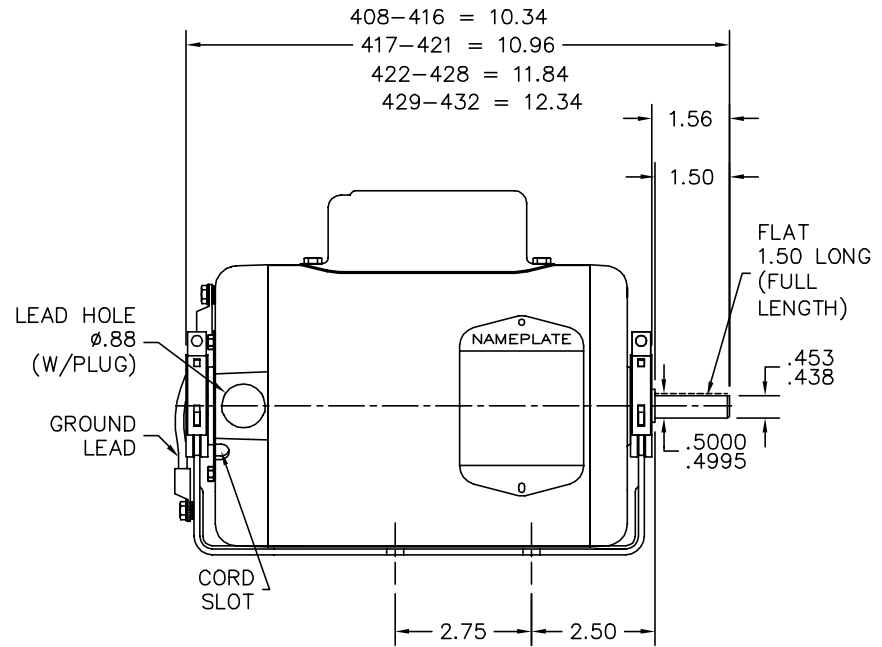
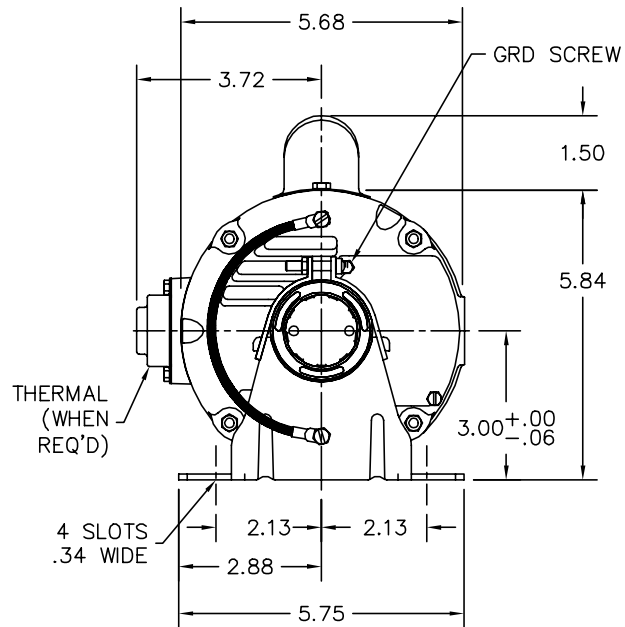
% of Rated Load	25	50	75	100	125	150	S.F.
Power Factor	31	40	49	57	63	69	67
Efficiency	27	42	51	55	58	59	59
Speed	1779	1763	1745	1725	1705	1680	1690
Line amperes	2.2	2.3	2.4	2.5	2.7	2.9	2.8

Performance Graph at 230V, 60Hz, 0.25HP Typical performance - Not guaranteed values



11/21/2016 ACPERF: record # 41577

34LYK014



CUSTOMER IS RESPONSIBLE FOR DETERMINING THAT BALDOR'S PRODUCT WILL PERFORM SUITABLY IN THE INTENDED APPLICATION.

REV. DESC: UPDATE DWG		
REV. LTR: M	VERSION: 01	TDR: 000000751763
FILE: \AAA\00012\388	REVISED: 08:28:17 06/20/2012	
MTL: -	BY: ENBENBO	

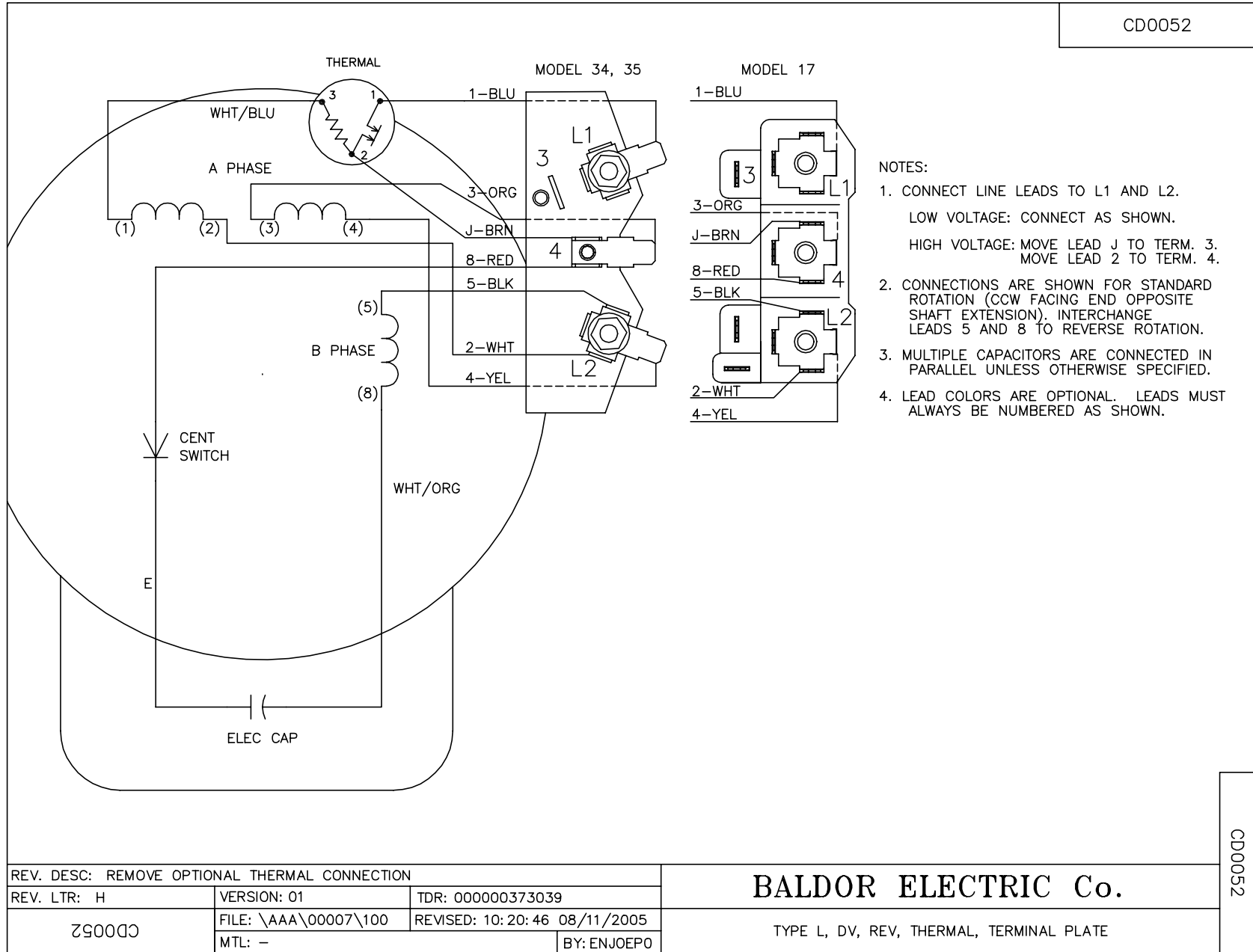
BALDOR

RESIL MTD 34L NEMA 48Z OPEN W/TERM PANEL

SH 1 of 1

34LYK014

CD0052



CD0052

REV. DESC: REMOVE OPTIONAL THERMAL CONNECTION		
REV. LTR: H	VERSION: 01	TDR: 000000373039
Z90052	FILE: \AAA\00007\100	REVISED: 10:20:46 08/11/2005
	MTL: -	BY: ENJOEPO

BALDOR ELECTRIC Co.

TYPE L, DV, REV, THERMAL, TERMINAL PLATE