

BALDOR® • **RELIANCE**

Product Information Packet

VBM3538-5D

.5HP, 1740RPM, 3PH, 60HZ, 56C, 3512M, TEFC, F3

Part Detail							
Revision:	E	Status:	PRD/A	Change #:		Proprietary:	No
Type:	AC	Prod. Type:	3512M	Elec. Spec:	35WGN367	CD Diagram:	CD0006
Enclosure:	TEFC	Mfg Plant:		Mech. Spec:	35X145	Layout:	35LYX145
Frame:	56C	Mounting:	F3	Poles:	04	Created Date:	08-05-2012
Base:	N	Rotation:	R	Insulation:	F	Eff. Date:	10-07-2016
Leads:	3#18					Replaced By:	
Literature:		Elec. Diagram:					

Nameplate NP1372L											
CAT.NO.	VBM3538-5D										
SPEC.	35X145N367G1										
HP	.5										
VOLTS	575										
AMP	.7										
RPM	1740										
FRAME	56C					HZ	60		PH	3	
SER.F.	1.15					CODE	M	DES	B	CL	F
NEMA-NOM-EFF	78.5					PF	69				
RATING	40C AMB-CONT										
CC									USABLE AT 208V		
DE	6205					ODE	6205				
ENCL	TEFC					SN					
	IP44										

Parts List		
Part Number	Description	Quantity
SA248988	SA 35X145N367G1	1.000 EA
RA235854	RA 35X145N367G1	1.000 EA
S/P111-000-002	CORONA TEST, SUPER E MOTORS - FT. SMITH	1.000 EA
NS2512A01	INSULATOR, CONDUIT BOX X	1.000 EA
35CB4007	KOBX,W/PRIMER (REL# 79097-49-C)	1.000 EA
35GS3009	GASKET, KOBX 35CB4006 (411881-15A)	1.000 EA
51XB1016A05	10-16X5/16HX WA SL SR TYB (F/S)	2.000 EA
WD4101A13	STEEL CAPLUG,BP-1 1/8, PLUG D3561S	1.000 EA
11XW1032G06	10-32 X .38, TAPTITE II, HEX WSHR SLTD U	1.000 EA
HW3001B01	BRASS CUP WASHER, FOR #8 SCREW	1.000 EA
35EP3119A01	SPL FREP TEFC 205 BRG	1.000 EA
HW5100A05	WVY WSHR F/205 & 304 BRGS	1.000 EA
35EP3300A33	SPL FACE MTD EP -ENCL-205 BRG	1.000 EA
51XN1032A20	10-32 X 1 1/4 HX WS SL SR	2.000 EA
35FH3004A01	FAN COVER ASSY, BRAKE MTG	1.000 EA
51XN1032A32	10-32 X 2 HX WS SL SR	4.000 EA
HW1001A10	WASHER, #10 SPLT LK, ZN X	4.000 EA
35FN3003A01	EXFN, PLASTIC, 5.88 OD, .626 ID	1.000 EA
10XN3816K64	3/8-16X4 HX HD CAP SCREW, GRADE 5	4.000 EA
HW1001A38	LOCKWASHER 3/8, ZINC PLT .688 OD, .382 I	4.000 EA
BR2006B01	DBSC SPLINED HUB 5/8 BOR	1.000 EA
35CB4519	CB LID RAW & UNPRIMED, REL# 79097-50-B	1.000 EA
35GS3019	GASKET, FOR KOBX LID 35CB4519	1.000 EA
51XW0832A07	8-32 X .44, TAPTITE II, HEX WSHR SLTD SE	4.000 EA

Parts List (continued)		
Part Number	Description	Quantity
WD4006A01	WIRE JOINT,T&B RB-4 OR RB-44	1.000 EA
HW2501D13	KEY, 3/16 SQ X 1.375	1.000 EA
HA7000A04	KEY RETAINER 0.625 DIA SHAFTS	1.000 EA
85XU0407S04	4X1/4 U DRIVE PIN STAINLESS	2.000 EA
LB1419	CONNECTION LABEL	1.000 EA
MJ1000A02	GREASE, POLYREX EM EXXON (USe 4824-15A)	0.050 LB
MG1000N49	MUNSELL 8.5BG 3.57/2.0, GLOSS 30, B/G,	0.017 GA
HA3100A11	THRUBOLT 10-32 X 6.750	4.000 EA
46BK0104C01	DBSC-VP-3-MA-287/575 VAC	1.000 EA
LB1119N	WARNING LABEL	1.000 EA
LC0006	CONNECTION LABEL	1.000 EA
MN416A01	TAG-INSTAL-MAINT no wire (1200/bx) 11/14	1.000 EA
NP1372L	ALUM UL CSA CE CC	1.000 EA
G7PA1000	PKG GRP, PRINT PK1034A06	1.000 EA
PK3082	STYROFOAM CRADLE	3.000 EA

AC Induction Motor Performance Data

Record # 39332 - Typical performance - not guaranteed values

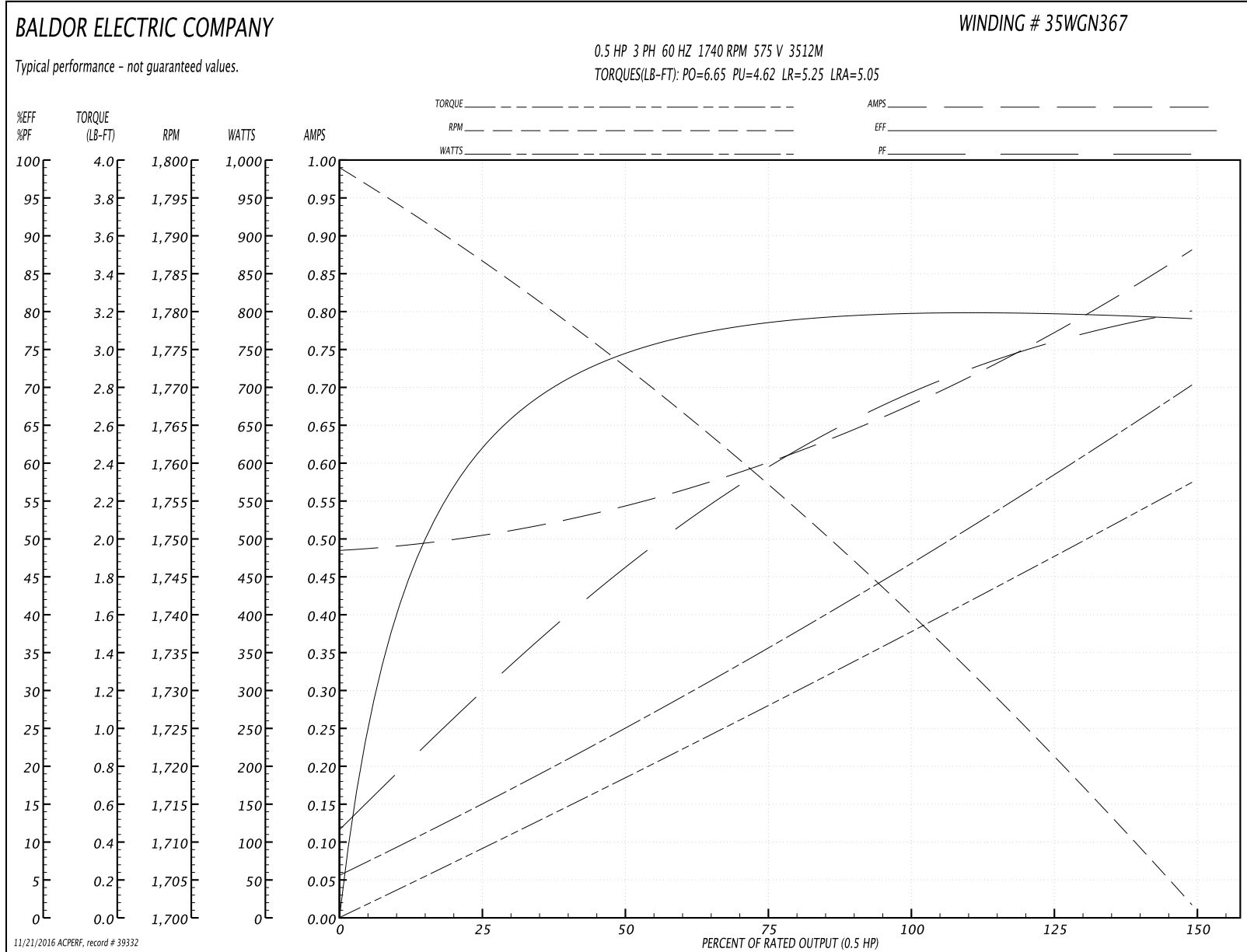
Winding: 35WGN367-R004	Type: 3512M	Enclosure: TEFC
-------------------------------	--------------------	------------------------

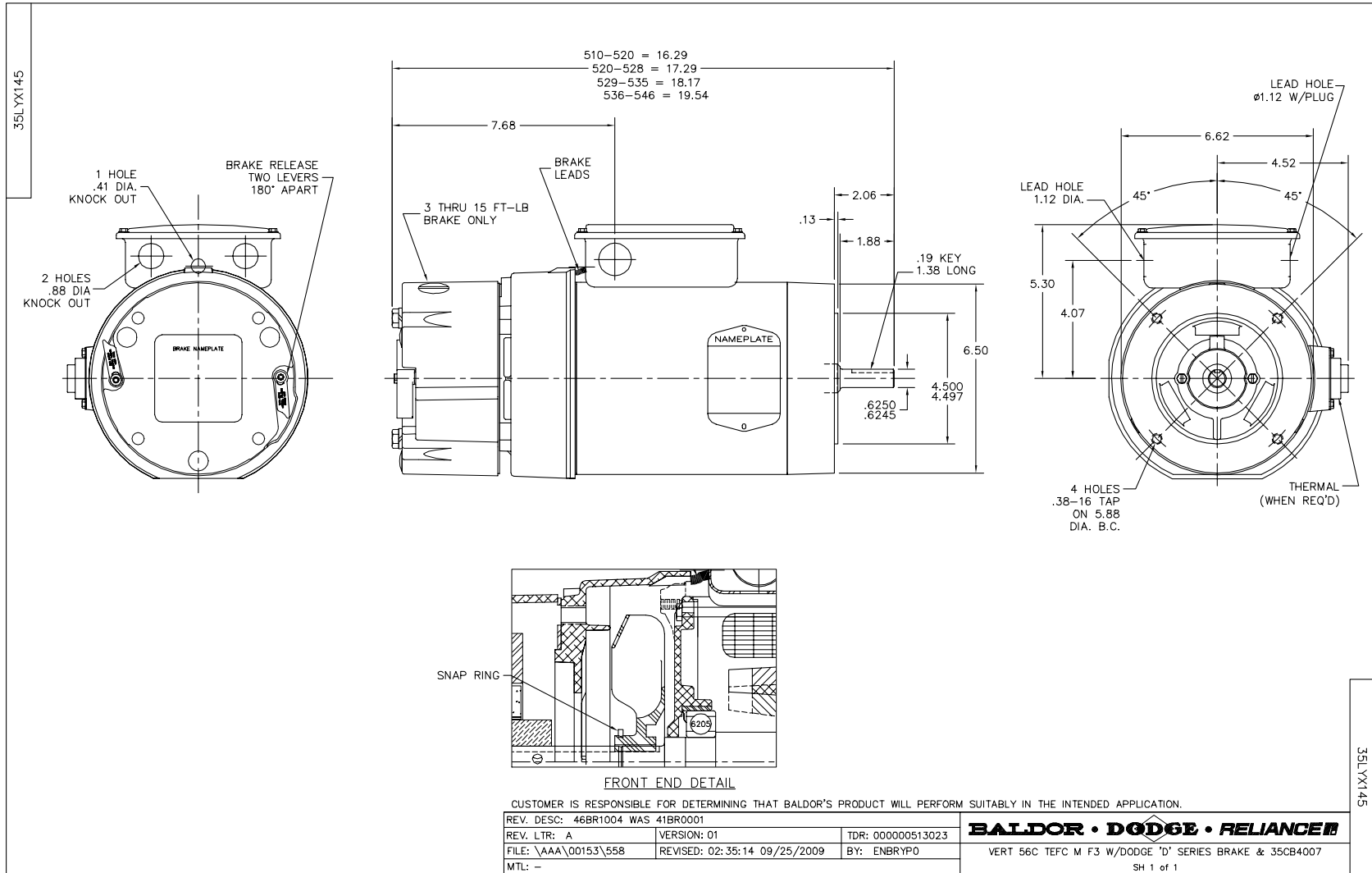
Nameplate Data				575 V, 60 Hz: Single Voltage Motor	
Rated Output (HP)	.5			Full Load Torque	1.49 LB-FT
Volts	575			Start Configuration	direct on line
Full Load Amps	.7			Breakdown Torque	6.65 LB-FT
R.P.M.	1740			Pull-up Torque	4.62 LB-FT
Hz	60	Phase	3	Locked-rotor Torque	5.25 LB-FT
NEMA Design Code	B	KVA Code	M	Starting Current	5.05 A
Service Factor (S.F.)	1.15			No-load Current	0.487 A
NEMA Nom. Eff.	78.5	Power Factor	69	Line-line Res. @ 25°C	53.6 Ω
Rating - Duty	40C AMB-CONT			Temp. Rise @ Rated Load	27°C
S.F. Amps				Temp. Rise @ S.F. Load	31°C
				Locked-rotor Power Factor	74
				Rotor inertia	0.0709 LB-FT ²

Load Characteristics 575 V, 60 Hz, 0.5 HP

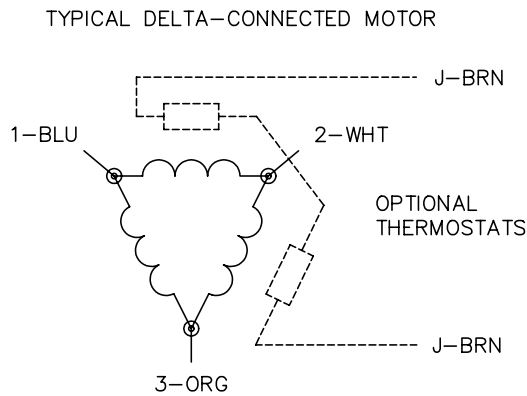
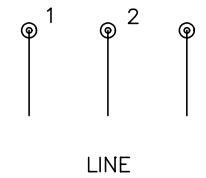
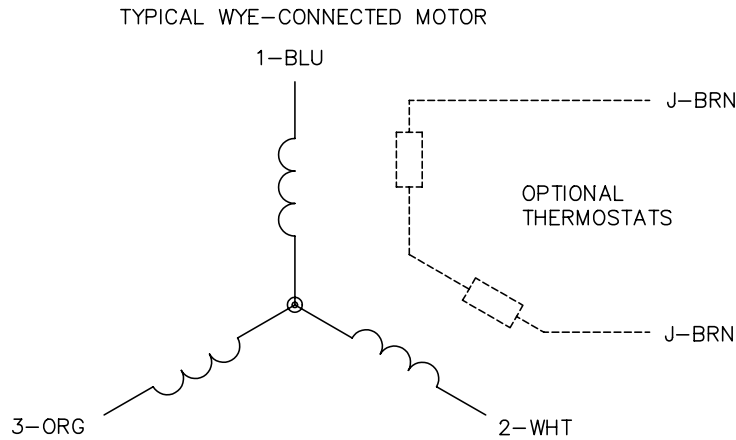
% of Rated Load	25	50	75	100	125	150	S.F.
Power Factor	28	45	58	69	75	80	73
Efficiency	59.5	73.1	78.5	79.8	80.1	78.9	80
Speed	1788	1774	1759	1741	1722	1702	1730
Line amperes	0.5	0.536	0.596	0.676	0.766	0.88	0.73

Performance Graph at 575V, 60Hz, 0.5HP Typical performance - Not guaranteed values





CD0006



NOTES:

1. THREE LEAD MOTOR MAY BE EITHER WYE CONNECTED OR DELTA CONNECTED.
2. INTERCHANGE ANY TWO LINE LEADS TO REVERSE ROTATION.
3. OPTIONAL THERMOSTATS ARE PROVIDED WHEN SPECIFIED.
4. ACTUAL NUMBER OF INTERNAL PARALLEL CIRCUITS MAY VARY.
5. LEAD COLORS ARE OPTIONAL. LEADS MUST BE NUMBERED AS SHOWN.

REV. DESC: REVISE TO SHOW OPTIONAL COLORS			
REV. LTR: D	BY: JLP	REVISED: 01/21/99 4:02	TDR: 0171435
9000D		FILE: AAA00005141	MDL: -
		MTL: -	

BALDOR ELECTRIC Co.

3PH, SV, 3 LEADS, WYE OR DELTA CONNECTED

CD0006