

BALDOR® • *RELIANCE*

Product Information Packet

VECP83583T-4

1.5HP,3450RPM,3PH,60HZ,143TC,0524M,TEFC

Part Detail							
Revision:	AE	Status:	PRD/A	Change #:		Proprietary:	No
Type:	AC	Prod. Type:	0524M	Elec. Spec:	05WGW176	CD Diagram:	CD0006
Enclosure:	TEFC	Mfg Plant:		Mech. Spec:	05F161	Layout:	05LYF161
Frame:	143TC	Mounting:	F1	Poles:	02	Created Date:	11-27-2007
Base:	N	Rotation:	R	Insulation:	F	Eff. Date:	03-15-2016
Leads:	3#18 15" LEAD LENGTH,0#0 Dbl Dip & Bake,0#0 Phase InsulaY					Replaced By:	
Literature:		Elec. Diagram:					

Nameplate NP3235E			
CAT.NO.	VECP83583T-4		
SPEC.	05F161W176		
HP	1.5 TE		IP 56
VOLTS	460		
AMP	2		
RPM	3450		
FRAME	143TC	HZ	60
SER.F.	1.15	CODE M	DES B
RATING	40C AMB-CONT		
SN			
DE	6205	ODE	6205
NEMA-NOM-EFF	85.5	PF	83
G.MIN.EFF	82.5	CC	010A
T. CODE	T4	T=	135
		PH	3
		CL	F

Nameplate NP3186E			
SPEC.	05F161W176		
D.E. BRG.	25BC02X30X		
O.D.E. BRG.	25BC02X30X		
GREASE	POLYREX EM		
WEIGHT	58	# OF ROTOR BARS	20
RPM MAX	5400	MAX. KVAR	.25
BLANK			
INV. TYPE	PWM	# OF STATOR SLOTS	
T=	135		
C HP FR	60	C HP TO	90
CT HZ FROM	6	CT HZ TO	60
VT HZ FROM	3	VT HZ TO	60
HTR-VOLTS	N/A	HTR-AMPS	N/A
HTR-WATTS		MAX. SPACE HEATER TEMP.	N/A

Parts List		
Part Number	Description	Quantity
SA165925	SA 05F161W176	1.000 EA
RA154313	RA 05F161W176	1.000 EA
HW3201A05	3/8-16 EYEBOLT	1.000 EA
06CB1001A01G	CONDUIT BOX, MACH GRAY	1.000 EA
RM1016	LEAD SEPARATOR GASKET - 305/306 C.P.MOTO	1.000 EA
51XW2520A12	SCREW, HEX SER SLT HD, ZN, 1/4-20 X .75	2.000 EA
11XW1032G06	10-32 X .38, TAPTITE II, HEX WSHR SLTD U	1.000 EA
HW3001B01	BRASS CUP WASHER, FOR #8 SCREW	1.000 EA
10XN2520S06	1/4 20X3/8 HX HD CAP S.S.	1.000 EA
WD1000B16	T&B CX70TN TERMINAL	1.000 EA
51XN1032A20	10-32 X 1 1/4 HX WS SL SR	2.000 EA
05EP1100A03G	FREP TEFC 203,GRSR,RLF,NO DRAIN	1.000 EA
HW4601A22	INPRO SEAL, 205 BRG, VBX	1.000 EA
HW4500A01	1641B(ALEMITE)400 UNIV, GREASE FITT	1.000 EA
HA4051A00	PLASTIC CAP FOR GREASE FITTING	1.000 EA
HW4500A17	317400 ALEMITE GREASE RELIEF	1.000 EA
HW5100A05	WVY WSHR F/205 & 304 BRGS	1.000 EA
35EP1329A33G	EP ENCL,GRSR,RLF,(2).25-28 DRAINS, INPRO	1.000 EA
HW4601A22	INPRO SEAL, 205 BRG, VBX	1.000 EA
HW4500A01	1641B(ALEMITE)400 UNIV, GREASE FITT	1.000 EA
HA4051A00	PLASTIC CAP FOR GREASE FITTING	1.000 EA
HW4500A17	317400 ALEMITE GREASE RELIEF	1.000 EA
HA4010A01	DRAIN PLUG,416 S.S.,W/ 1/4-28 THD & .076	2.000 EA
51XN1032A20	10-32 X 1 1/4 HX WS SL SR	2.000 EA

Parts List (continued)		
Part Number	Description	Quantity
HA3100A28	THRUBOLT 10-32 X 8.187	4.000 EA
51XB1214A16	12-14X1.00 HXWSSLD SERTYB	1.000 EA
35FH1000A27G	35FH1000A27 W/GRAY FLUIDIZ	1.000 EA
10XN2520A16	1/4-20 X 1 HEX HEAD CAP SCR, ZINC PLATED	3.000 EA
HW1001A25	LOCKWASHER 1/4, ZINC PLT .493 OD, .255 I	3.000 EA
35FH4500A01	DRIP COVER, STAMPED X - W/PRIMED	1.000 EA
HA2001A13	35-10103 SPACER WELKER	3.000 EA
51XN1032A20	10-32 X 1 1/4 HX WS SL SR	3.000 EA
WD4100A03	DE-750 HEYCO PLUG 62MP0750 MICRO PLASTIC	1.000 EA
06CB1503A01G	LIPPED CONDUIT BOX LID, MACH GRAY EPOXY	1.000 EA
06GS1009	GASKET, KOBX LID, 1/8" THICK BLACK NEOPR	1.000 EA
10XN2520A12	O1/4-20X 3/4 HEX HEAD CAP	2.000 EA
HW1001A25	LOCKWASHER 1/4, ZINC PLT .493 OD, .255 I	2.000 EA
HW2501D13	KEY, 3/16 SQ X 1.375	1.000 EA
HA7000A01	KEY RETAINER 7/8" DIA SHAFT	1.000 EA
MJ5004A59	ADHESIVE LOCTITE #401 SURFACE INSENSITIV	0.010 EA
MJ5001A27	32220KN GRAY SEALER *MIN BUY 4 QTS=1GAL	0.001 QT
MJ1000A73	INPRO P-80 ASSEMBLY LUB./ 1 QT. CONTAINE	0.001 QT
85XU0407S04	4X1/4 U DRIVE PIN STAINLESS	4.000 EA
LB1115N	LABEL,LIFTING DEVICE (ON ROLLS)	1.000 EA
LT0019A00	MOTOR NO-LOAD PERFORMANCE DATA SHEET	1.000 EA
WD1000D21	TRM,T&B #B71M,RING,18-14,.25,NON-INSL	3.000 EA
MJ1000A02	GREASE, POLYREX EM EXXON (USe 4824-15A)	0.050 LB
34FN3002B01	EXTERNAL FAN, PLASTIC, .637/.639 HUB W/	1.000 EA

Product Information Packet: VECP83583T-4 - 1.5HP,3450RPM,3PH,60HZ,143TC,0524M,TEFC

MG1025N19	WILKOFAST, 778.50, RELIANCE BLUE-GREEN	0.017 GA
MG1500Y02	PRIMER,347.29+347.29C ACTIVATOR WILKOPON	0.017 GA
LB1119N	WARNING LABEL	1.000 EA
LB1449	DIV-2/NEC WARNING LABEL	1.000 EA
LC0006	CONNECTION LABEL	1.000 EA
NP3235E	SS IEEE841 DIV-2 UL CSA-C US EEV PREM	1.000 EA
NP3186E	SS IEEE841 INV AUX DATA INFORMATION	1.000 EA
36PA1001	PKG GRP, PRINT PK1017A06	1.000 EA
PK3082	STYROFOAM CRADLE	1.000 EA
MN416A01	TAG-INSTAL-MAINT no wire (1200/bx) 11/14	1.000 EA

AC Induction Motor Performance Data

Record # 47131 - Typical performance - not guaranteed values

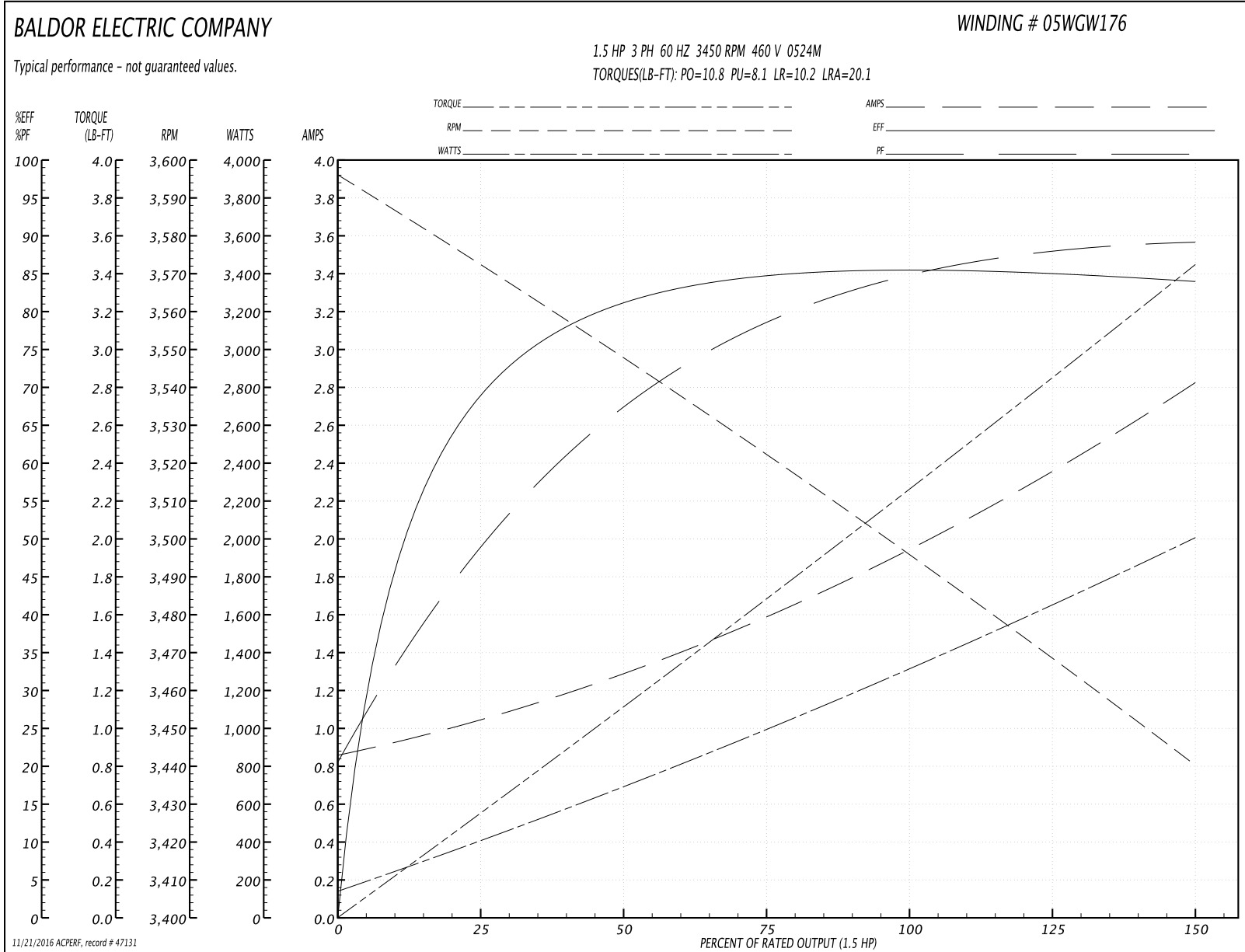
Winding: 05WGW176-R028	Type: 0524M	Enclosure: TEFC
-------------------------------	--------------------	------------------------

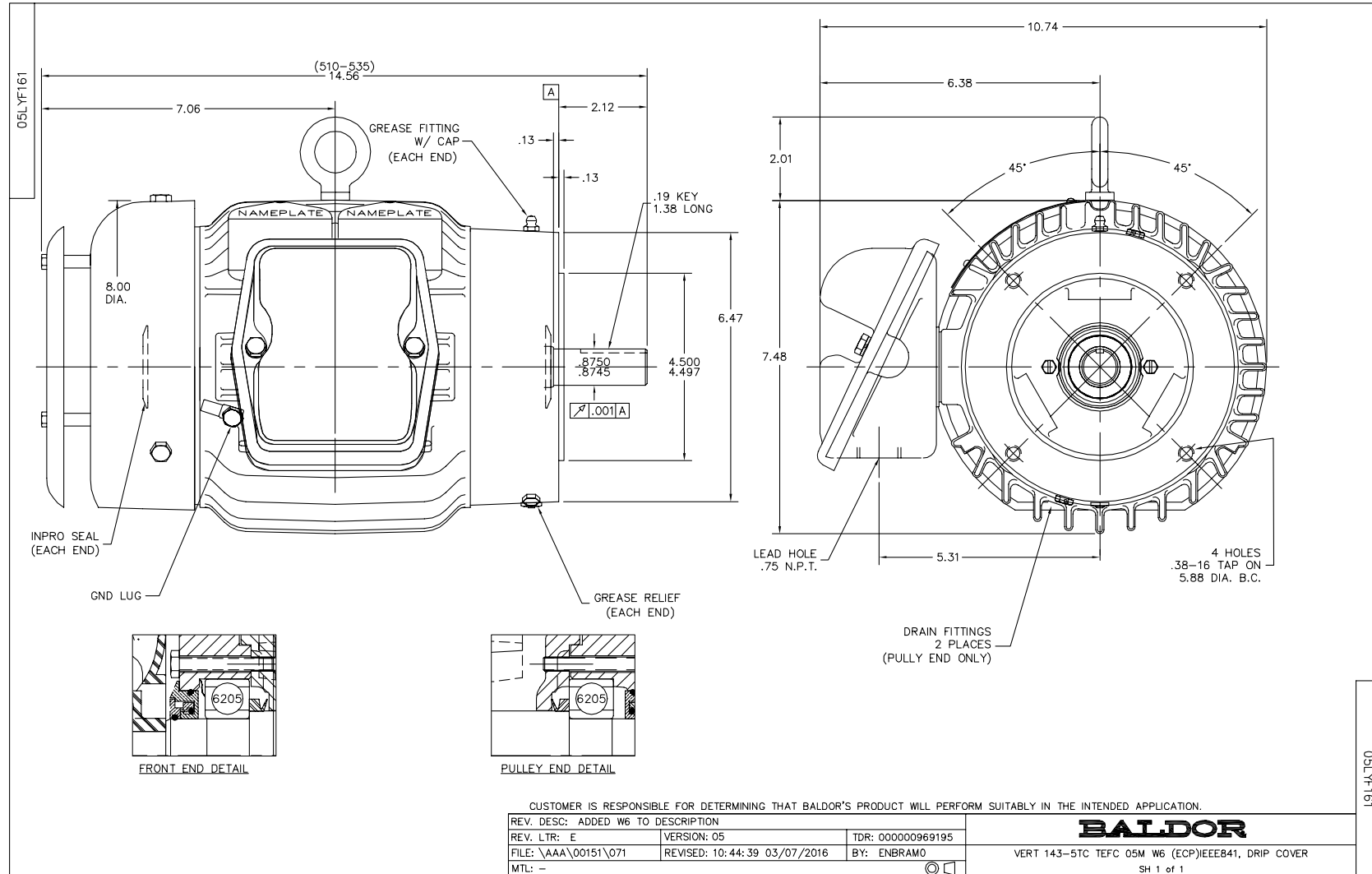
Nameplate Data				460 V, 60 Hz: Single Voltage Motor	
Rated Output (HP)	1.5			Full Load Torque	2.3 LB-FT
Volts	460			Start Configuration	direct on line
Full Load Amps	2			Breakdown Torque	10.8 LB-FT
R.P.M.	3450			Pull-up Torque	8.1 LB-FT
Hz	60	Phase	3	Locked-rotor Torque	10.2 LB-FT
NEMA Design Code	B	KVA Code	M	Starting Current	20.1 A
Service Factor (S.F.)	1.15			No-load Current	0.88 A
NEMA Nom. Eff.	85.5	Power Factor	83	Line-line Res. @ 25°C	7.45 Ω
Rating - Duty	40C AMB-CONT			Temp. Rise @ Rated Load	32°C
S.F. Amps				Temp. Rise @ S.F. Load	37°C

Load Characteristics 460 V, 60 Hz, 1.5 HP

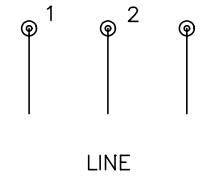
% of Rated Load	25	50	75	100	125	150	S.F.
Power Factor	49	68	78	83	87	88	85
Efficiency	71.9	81.3	84.3	85.5	85	84	85.2
Speed	3569	3545	3521	3496	3468	3439	3479
Line amperes	1.03	1.29	1.6	2	2.4	2.8	2.25

Performance Graph at 460V, 60Hz, 1.5HP Typical performance - Not guaranteed values





CD0006



NOTES:

1. THREE LEAD MOTOR MAY BE EITHER WYE CONNECTED OR DELTA CONNECTED.
2. INTERCHANGE ANY TWO LINE LEADS TO REVERSE ROTATION.
3. OPTIONAL THERMOSTATS ARE PROVIDED WHEN SPECIFIED.
4. ACTUAL NUMBER OF INTERNAL PARALLEL CIRCUITS MAY VARY.
5. LEAD COLORS ARE OPTIONAL. LEADS MUST BE NUMBERED AS SHOWN.

REV. DESC: REVISE TO SHOW OPTIONAL COLORS			
REV. LTR: D	BY: JLP	REVISED: 01/21/99 4:02	TDR: 0171435
9000D		FILE: AAA00005141	MDL: -
		MTL: -	

BALDOR ELECTRIC Co.

3PH, SV, 3 LEADS, WYE OR DELTA CONNECTED

CD0006