

BALDOR® • *RELIANCE*

Product Information Packet

VEJMM2333T

15HP, 1765RPM, 3PH, 60HZ, 254JM, 0944M, TEFC, F

Part Detail							
Revision:	F	Status:	PRD/A	Change #:		Proprietary:	No
Type:	AC	Prod. Type:	0944M	Elec. Spec:	09WGZ910	CD Diagram:	CD0005
Enclosure:	TEFC	Mfg Plant:		Mech. Spec:	09E178	Layout:	09LYE178
Frame:	254JM	Mounting:	F1	Poles:	04	Created Date:	06-05-2015
Base:	N	Rotation:	R	Insulation:	F	Eff. Date:	11-16-2016
Leads:	9#12					Replaced By:	
Literature:		Elec. Diagram:					

Nameplate NP3441L										
CAT.NO.	VEJMM2333T									
SPEC.	09E178Z910G1									
HP	15									
VOLTS	230/460									
AMP	36.2/18.1									
RPM	1765									
FRAME	254JM				HZ	60			PH	3
SER.F.	1.15		CODE	H	DES	A		CL	F	
NEMA-NOM-EFF	92.4		PF	83						
RATING	40C AMB-CONT									
CC	010A				USABLE AT 208V			38		
DE	6309				ODE	6208				
ENCL	TEFC		SN							
VPWM INVERTER READY CT6-60H(10:1)VT3-60H(20:1)										

Parts List		
Part Number	Description	Quantity
SA302193	SA 09E178Z910G1	1.000 EA
RA289279	RA 09E178Z910G1	1.000 EA
S/P107-000-005	SUPER-E PROC'S(254/6 FR.) ZK PLANT - POL	1.000 EA
HW1002A63	WASHER, 5/8 HI-COLLAR SPRLCKWASHER	1.000 EA
09CB3002	CB W/1.38 LEAD HOLE FOR 37, 39, 307 & 30	1.000 EA
09GS1000	GASKET-CONDUIT BOX, 1/16 THICK LEXIDE	1.000 EA
10XN2520K12	1/4-20 X.75 GRD 5	2.000 EA
HW1001A25	LOCKWASHER 1/4, ZINC PLT .493 OD, .255 I	2.000 EA
WD1000B17	T&B CX35TN TERMINAL	1.000 EA
11XW1032G06	10-32 X .38, TAPTITE II, HEX WSHR SLTD U	1.000 EA
09FE1100A14	FREP ASSEMBLY, 09EP1100A14	1.000 EA
XY3816A12	3/8-16 FINISHED NUT	4.000 EA
HW1001A38	LOCKWASHER 3/8, ZINC PLT .688 OD, .382 I	4.000 EA
HW5100A08	W3118-035 WVY WSHR (WB)	1.000 EA
10XN2520K28	1/4-20 X 1.75" HX HD SCRWGRADE 5, ZINC P	2.000 EA
HW1001A25	LOCKWASHER 1/4, ZINC PLT .493 OD, .255 I	2.000 EA
09EP1300A13	ENDPLATE, MACH	1.000 EA
HW4600B67	V-RING SLINGER 1.770 X 2.170 X .28 VITON	1.000 EA
10XN2520K36	1/4-20 X 2.25" HX HD SCRWGRADE 5, ZINC P	4.000 EA
HW1001A25	LOCKWASHER 1/4, ZINC PLT .493 OD, .255 I	4.000 EA
HA3113A02	THRUBOLT 3/8-16 X 16.750	4.000 EA
HW1001A38	LOCKWASHER 3/8, ZINC PLT .688 OD, .382 I	4.000 EA
09FH4000SP	FAN COVER, STAMPED	1.000 EA
HA2081A05	SPACER TUBE, 309 FAN HSG, 2.00 LONG	4.000 EA

Parts List (continued)		
Part Number	Description	Quantity
HW1001A38	LOCKWASHER 3/8, ZINC PLT .688 OD, .382 I	4.000 EA
XY3816A12	3/8-16 FINISHED NUT	4.000 EA
09CB3501	CONDUIT BOX LID FOR 09CB3001 & 09CB3002	1.000 EA
09GS1013	09 GS FOR 09CB3501 LID - LEXIDE	1.000 EA
51XW2520A12	.25-20 X .75, TAPTITE II, HEX WSHR SLTD	2.000 EA
HW2501E22	KEY, 1/4 SQ X 2.500	1.000 EA
LB1115N	LABEL,LIFTING DEVICE (ON ROLLS)	1.000 EA
PK6014	STEEL STRAP FOR 309-312 BASELESS MOTORS	3.000 EA
19XW3118A08	.31-18 X .50 HEX WASHER HEAD TAPTITE II	3.000 EA
HW4500A05	1669B ALEM/UNIV860 GR FTG X	1.000 EA
HW4500A17	317400 ALEMITE GREASE RELIEF	1.000 EA
HA4051A00	PLASTIC CAP FOR GREASE FITTING	1.000 EA
HA4054	SHORT T-DRAIN FITTING, .125" N.P.T.	1.000 EA
MJ1000A02	GREASE, POLYREX EM EXXON (USe 4824-15A)	0.080 LB
HW4500A03	GREASE FITTING, .125 NPT 1610(ALEMITE) 8	1.000 EA
HW4500A17	317400 ALEMITE GREASE RELIEF	1.000 EA
HA4051A00	PLASTIC CAP FOR GREASE FITTING	1.000 EA
HA4054	SHORT T-DRAIN FITTING, .125" N.P.T.	1.000 EA
MG1000Y03	MUNSELL 2.53Y 6.70/ 4.60, GLOSS 20,	0.050 GA
85XU0407S04	4X1/4 U DRIVE PIN STAINLESS	2.000 EA
09FN3001D01	EXTERNAL FAN, PLASTIC	1.000 EA
51XB1214A20	12-14X1.25 HXWSSLD SERTYB	1.000 EA
HW2500A25	WOODRUFF KEY USA #1008 #BLOW CARBON STEE	1.000 EA
LB1119N	WARNING LABEL	1.000 EA

Product Information Packet: VEJMM2333T - 15HP,1765RPM,3PH,60HZ,254JM,0944M,TEFC,F

LC0005	CONN.DIA.,TY M,9-LD,DUAL VOLT,REVERSING	1.000 EA
NP3441L	ALUM SUPER-E VPWM INVERTER READY UL	1.000 EA
40PA1014	PACKAGING GROUP, 09 NO BASE	1.000 EA
MN416A01	TAG-INSTAL-MAINT no wire (1200/bx) 11/14	1.000 EA

AC Induction Motor Performance Data

Record # 40349 - Typical performance - not guaranteed values

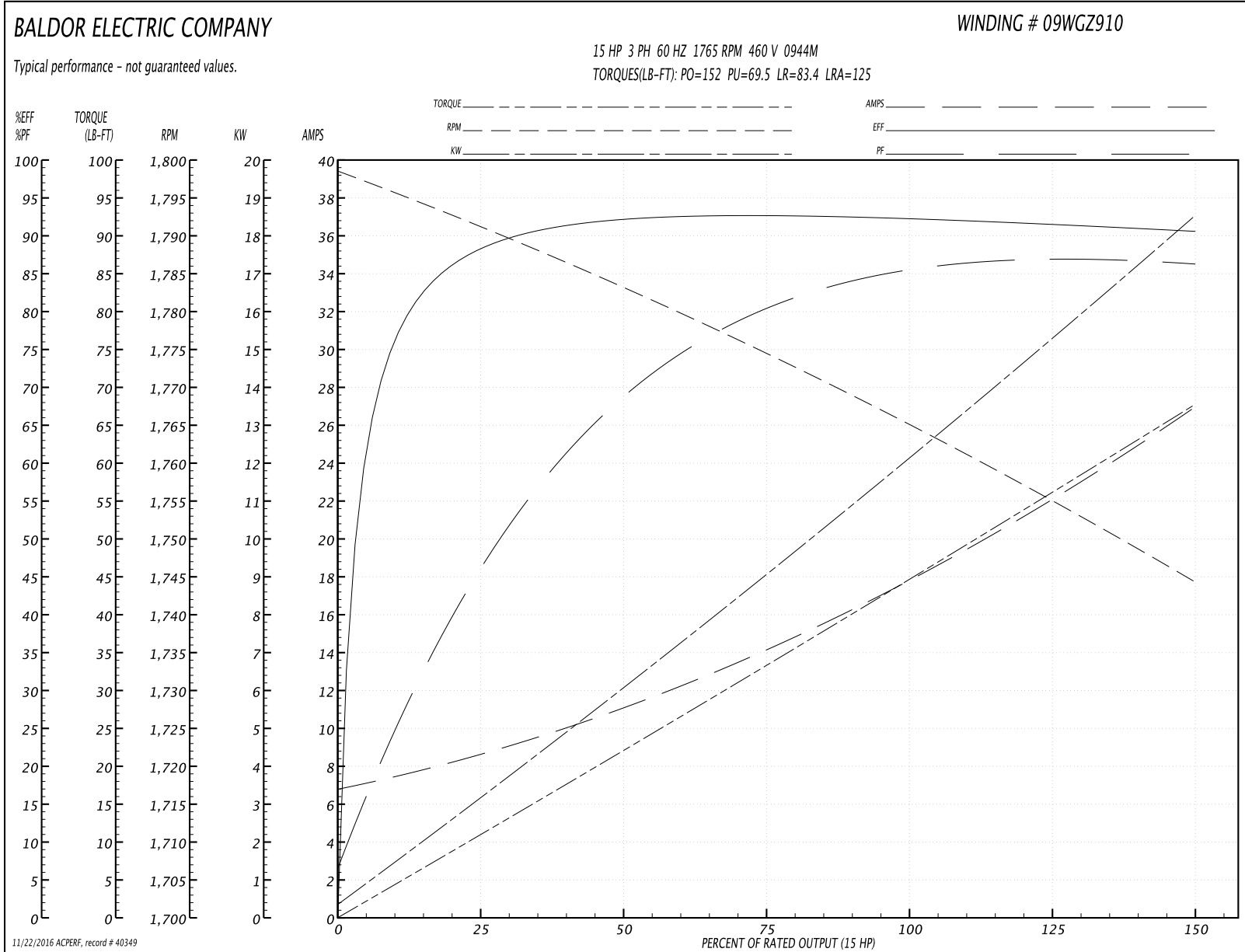
Winding: 09WGZ910-R003	Type: 0944M	Enclosure: TEFC
-------------------------------	--------------------	------------------------

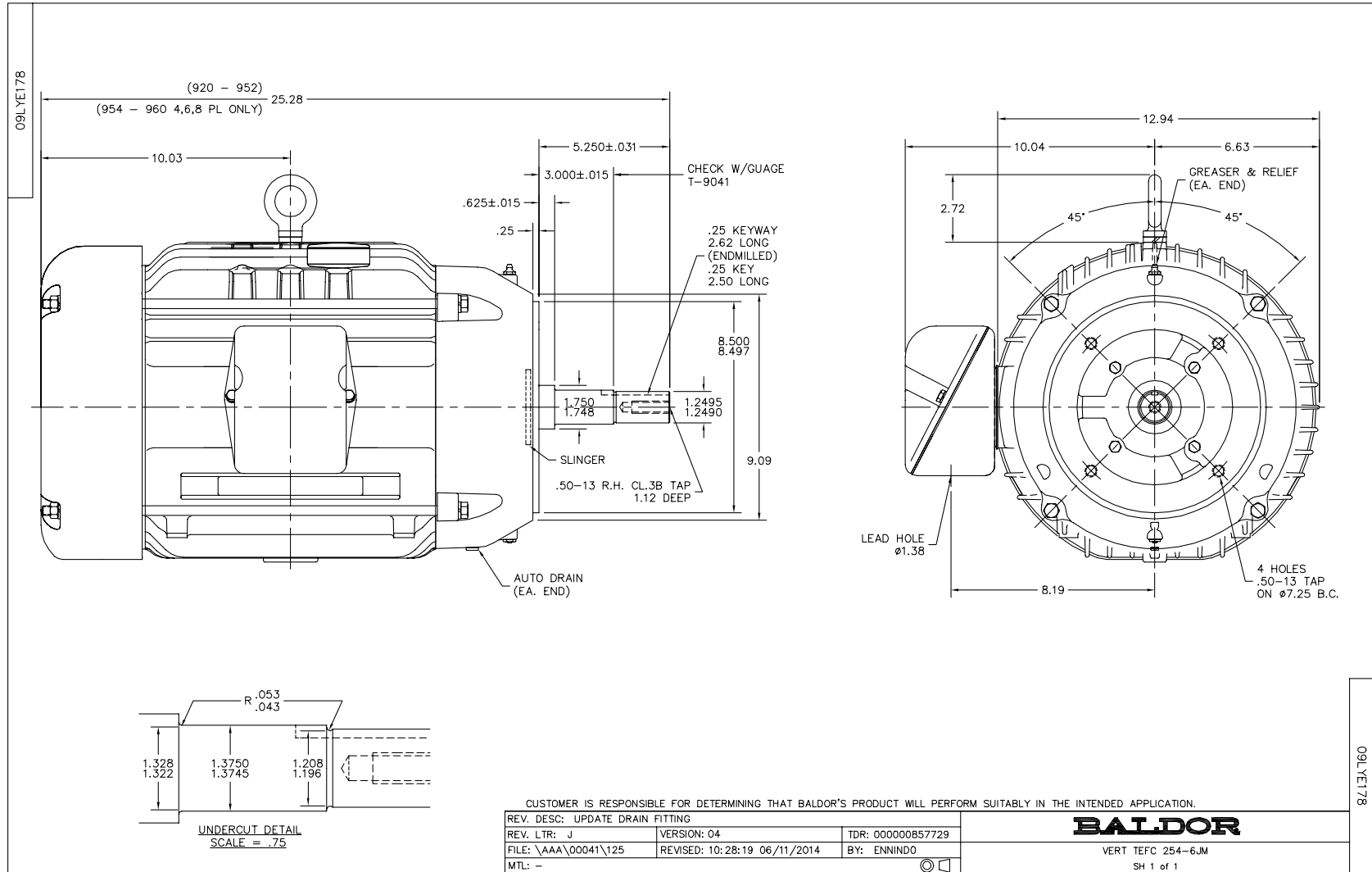
Nameplate Data				460 V, 60 Hz: High Voltage Connection	
Rated Output (HP)	15			Full Load Torque	44.6 LB-FT
Volts	230/460			Start Configuration	direct on line
Full Load Amps	36.2/18.1			Breakdown Torque	152 LB-FT
R.P.M.	1765			Pull-up Torque	69.5 LB-FT
Hz	60	Phase	3	Locked-rotor Torque	83.4 LB-FT
NEMA Design Code	A	KVA Code	H	Starting Current	125 A
Service Factor (S.F.)	1.15			No-load Current	7.12 A
NEMA Nom. Eff.	92.4	Power Factor	83	Line-line Res. @ 25°C	0.60351 Ω
Rating - Duty	40C AMB-CONT			Temp. Rise @ Rated Load	58°C
S.F. Amps				Temp. Rise @ S.F. Load	71°C
				Locked-rotor Power Factor	33.1
				Rotor inertia	1.92 LB-FT ²

Load Characteristics 460 V, 60 Hz, 15 HP

% of Rated Load	25	50	75	100	125	150	S.F.
Power Factor	49	71	79	83	87	87	86
Efficiency	88.1	92.1	92.6	92.4	91.7	90.6	92
Speed	1790.9	1782.8	1774.4	1765.5	1755	1744.1	1759
Line amperes	8.24	10.8	14.4	18.1	22.2	26.8	20.6

Performance Graph at 460V, 60Hz, 15.0HP Typical performance - Not guaranteed values





CD0005

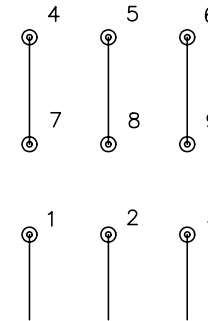


LOW VOLTAGE
(2Y)



LINE

HIGH VOLTAGE
(1Y)



LINE

NOTES:

1. INTERCHANGE ANY TWO LINE LEADS TO REVERSE ROTATION.
2. OPTIONAL THERMOSTATS ARE PROVIDED WHEN SPECIFIED.
3. ACTUAL NUMBER OF INTERNAL PARALLEL CIRCUITS MAY BE A MULTIPLE OF THOSE SHOWN ABOVE.
4. LEAD COLORS ARE OPTIONAL. LEADS MUST ALWAYS BE NUMBERED AS SHOWN.

REV. DESC: REVISE TO SHOW OPTIONAL COLORS			
REV. LTR: E	BY: JLP	REVISED: 01/19/99 10:15	TDR: 0171435
90000		FILE: AAA00005140	MDL: -
		MTL: -	

BALDOR ELECTRIC Co.

3PH, DV, 9 LEADS

CD0005