

# **BALDOR**® • ***RELIANCE***

## **Product Information Packet**

# **VSWDM3538**

**.5HP,1740RPM,3PH,60HZ,56C,3512M,TENV,F1**

Part Detail							
Revision:	G	Status:	PRD/A	Change #:		Proprietary:	No
Type:	AC	Prod. Type:	3512M	Elec. Spec:	35WGP863	CD Diagram:	CD0005
Enclosure:	TENV	Mfg Plant:		Mech. Spec:	35S617	Layout:	35LYS617
Frame:	56C	Mounting:	F1	Poles:	04	Created Date:	04-21-2011
Base:	N	Rotation:	R	Insulation:	F	Eff. Date:	04-02-2015
Leads:	9#18					Replaced By:	
Literature:		Elec. Diagram:					

Nameplate NP1496L										
CAT.NO.	VSWDM3538									
SPEC.	35S617P863G1									
HP	.5									
VOLTS	230/460									
AMP	1.6/.8									
RPM	1740									
FRAME	56C				HZ	60			PH	3
SER.F.	1.25		CODE	M	DES	B		CLASS	F	
NEMA-NOM-EFF	80		PF	69						
RATING	40C AMB-CONT									
CC								USABLE AT 208V	1.8	
DE	6205			ODE	6203					
ENCL	TENV		SN							
	SFA 1.9/0.95									

Parts List		
Part Number	Description	Quantity
SA222181	SA 35S617P863G1	1.000 EA
RA209312	RA 35S617P863G1	1.000 EA
NS2512A01	INSULATOR, CONDUIT BOX X	1.000 EA
35CB5001A03	CONDUIT BOX KIT, FOR SUPER II WASHDOWN	1.000 EA
11XW1032G06	10-32 X .38, TAPTITE II, HEX WSHR SLTD U	1.000 EA
35EP3100M72MU	SPL FR EP-ENCL-203 BRG-DIE CAST ALUM(BAL	1.000 EA
HW4500A33	1/8 NPT STAINLESS,HOLO-KROME #13002,PRES	3.000 EA
HW5100A03SP	WAVY WASHER (W1543-017)	1.000 EA
35EP3300A75MU	PU E.P., CAST-FACE MTD-56C-205 BRG(BALL	1.000 EA
HW4500A33	1/8 NPT STAINLESS,HOLO-KROME #13002,PRES	3.000 EA
HW4606A02	JM CLIPPER/SEAL (LWE-0938-1624-AL23)	1.000 EA
12XN1032S20	10-32 X 1-1/4 HEX M.S. , STAINLESS STEEL	2.000 EA
HA1049A01	DUBO LOK WASHER SIZE 10 (NYLON LOCK SEAL	4.000 EA
HA1049A01	DUBO LOK WASHER SIZE 10 (NYLON LOCK SEAL	2.000 EA
HW2502D13	SS KEY, 3/16 SQ X 1.375	1.000 EA
HA7000A04	KEY RETAINER 0.625 DIA SHAFTS	1.000 EA
MJ5001A02	732 CL SEALANT 3 OZ DIXIE BEARING 289100	0.001 EA
85XU0407S04	4X1/4 U DRIVE PIN STAINLESS	2.000 EA
LB1164	LABEL,WARNING AND DRAIN	1.000 EA
HA5027A04	HA4054 T-DRAIN X2 BAGGED	1.000 EA
MJ1000A02	GREASE, POLYREX EM EXXON (USe 4824-15A)	0.050 LB
HA3100S12	THRUBOLT 7.625 LENGTH 1.250 TH LENGTH SS	4.000 EA
LC0005	CONN.DIA.,TY M,9-LD,DUAL VOLT,REVERSING	1.000 EA
NP1496L	SS WD UL CSA CC	1.000 EA

<b>Parts List (continued)</b>		
<b>Part Number</b>	<b>Description</b>	<b>Quantity</b>
35PA1066	PKG GRP, PRINT PK1008A06	1.000 EA
PK3082	STYROFOAM CRADLE	1.000 EA
MN416A01	TAG-INSTAL-MAINT no wire (1200/bx) 11/14	1.000 EA

**AC Induction Motor Performance Data**

Record # 36575 - Typical performance - not guaranteed values

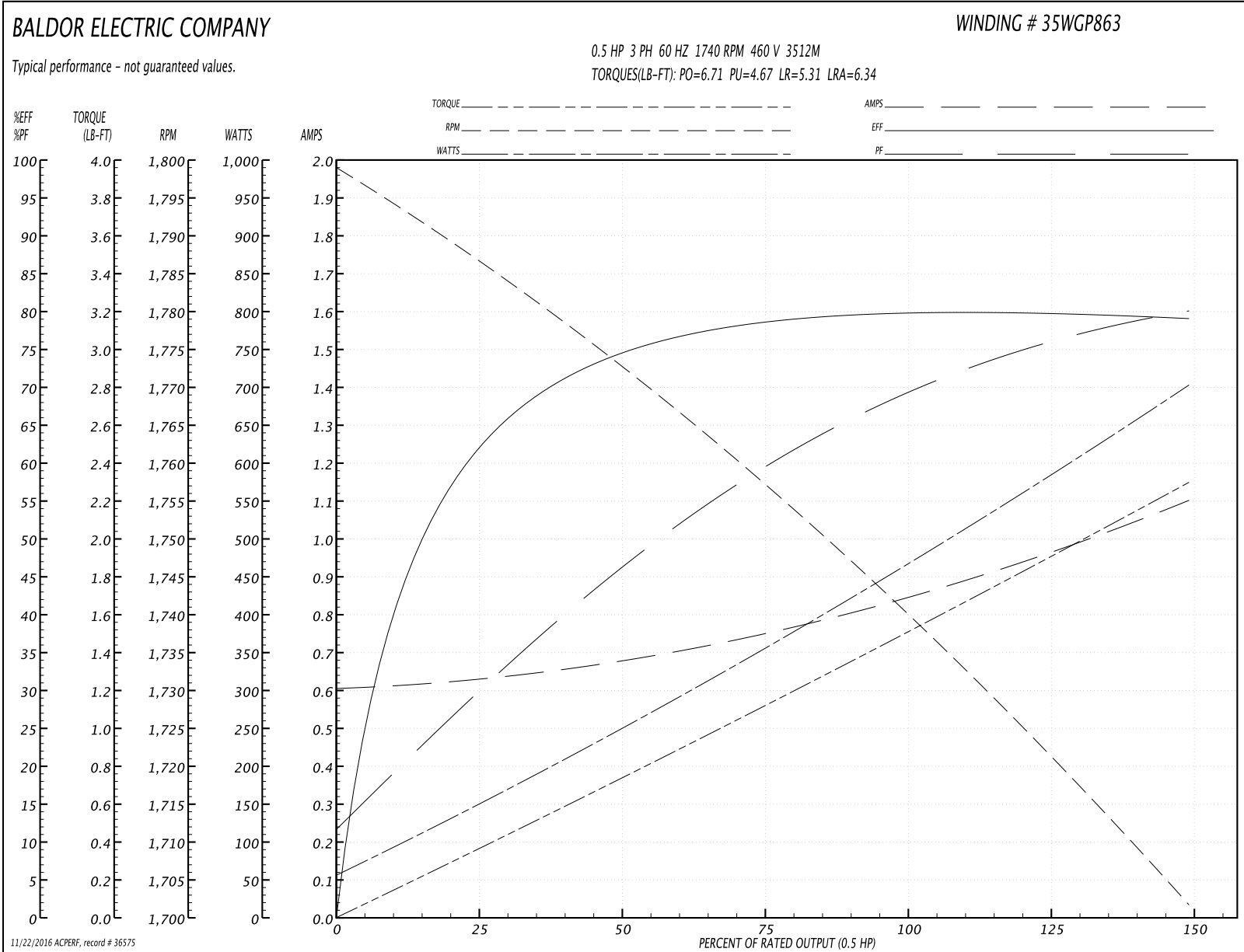
<b>Winding:</b> 35WGP863-R016	<b>Type:</b> 3512M	<b>Enclosure:</b> TENV
-------------------------------	--------------------	------------------------

Nameplate Data				460 V, 60 Hz: High Voltage Connection	
Rated Output (HP)	.5			Full Load Torque	1.49 LB-FT
Volts	230/460			Start Configuration	direct on line
Full Load Amps	1.6/.8			Breakdown Torque	6.71 LB-FT
R.P.M.	1740			Pull-up Torque	4.67 LB-FT
Hz	60	Phase	3	Locked-rotor Torque	5.31 LB-FT
NEMA Design Code	B	KVA Code	M	Starting Current	6.34 A
Service Factor (S.F.)	1.25			No-load Current	0.608 A
NEMA Nom. Eff.	80	Power Factor	69	Line-line Res. @ 25°C	34 Ω
Rating - Duty	40C AMB-CONT			Temp. Rise @ Rated Load	54°C
S.F. Amps	1.9/0.95			Temp. Rise @ S.F. Load	65°C
				Locked-rotor Power Factor	74
				Rotor inertia	0.0709 LB-FT <sup>2</sup>

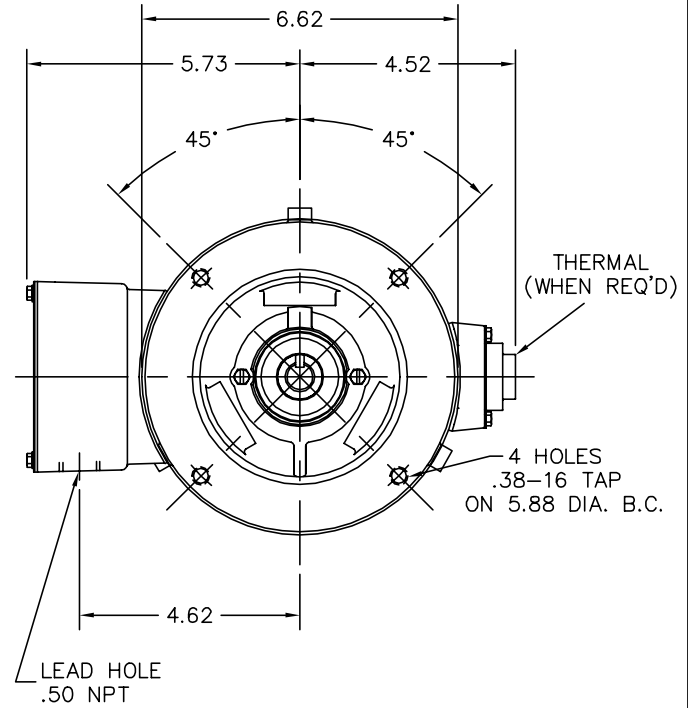
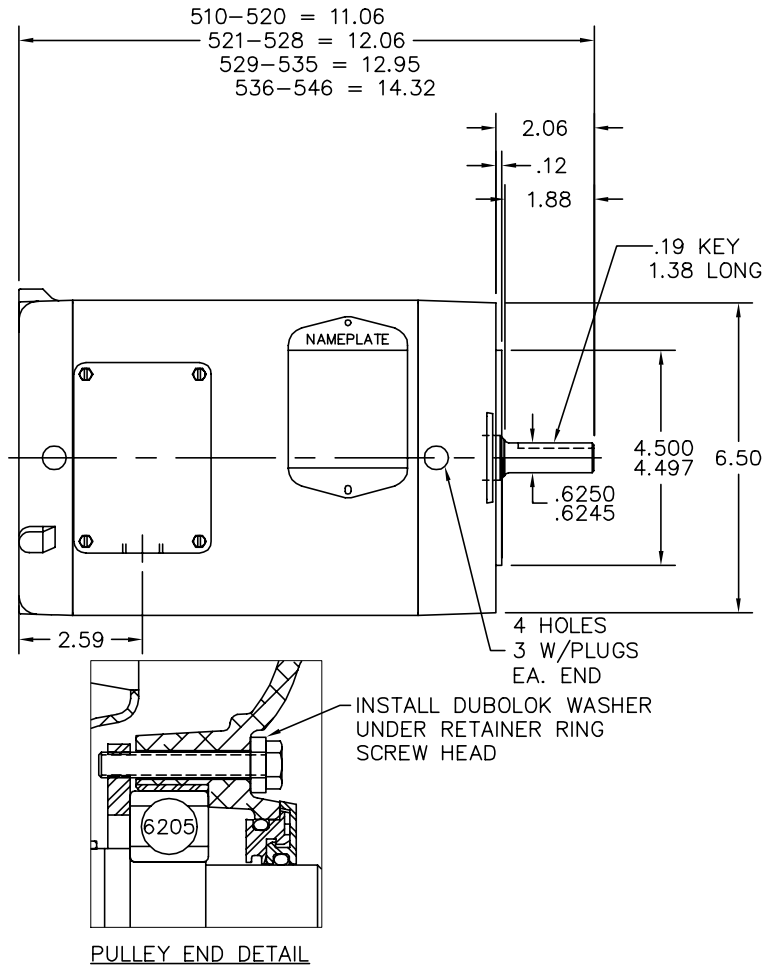
Load Characteristics 460 V, 60 Hz, 0.5 HP

% of Rated Load	25	50	75	100	125	150	S.F.
Power Factor	28	45	59	69	75	80	75
Efficiency	59.5	73.1	78.5	80	80.1	78.9	80.1
Speed	1788	1774	1759	1741	1722	1702	1722
Line amperes	0.624	0.669	0.744	0.844	0.957	1.1	0.957

Performance Graph at 460V, 60Hz, 0.5HP Typical performance - Not guaranteed values



35LYS617



CUSTOMER IS RESPONSIBLE FOR DETERMINING THAT MOTOR PERFORMANCE IS SUITABLE IN THE APPLICATION.

REV. DESC: UPDATE LAYOUT PER BOM, FREP

REV. LTR: B

VERSION: 02

TDR: 000000460581

**BALDOR • DODGE • RELIANCE**

35LYS617

FILE: \AAA\00093\115

REVISED: 12:30:26 03/27/2008

VERT 56C TENV 35M WD2 (PAINT FREE)

MTL: -

BY: ENODIDO

SH 1 of 1

35LYS617

CD0005



LOW VOLTAGE  
(2Y)



LINE

HIGH VOLTAGE  
(1Y)



LINE

NOTES:

1. INTERCHANGE ANY TWO LINE LEADS TO REVERSE ROTATION.
2. OPTIONAL THERMOSTATS ARE PROVIDED WHEN SPECIFIED.
3. ACTUAL NUMBER OF INTERNAL PARALLEL CIRCUITS MAY BE A MULTIPLE OF THOSE SHOWN ABOVE.
4. LEAD COLORS ARE OPTIONAL. LEADS MUST ALWAYS BE NUMBERED AS SHOWN.

REV. DESC: REVISE TO SHOW OPTIONAL COLORS			
REV. LTR: E	BY: JLP	REVISED: 01/19/99 10:15	TDR: 0171435
90000		FILE: AAA00005140	MDL: -
		MTL: -	

**BALDOR ELECTRIC Co.**

3PH, DV, 9 LEADS

CD0005