

BALDOR® • ***RELIANCE***

Product Information Packet

WDGF3026AG

WDF-926-30-B5-G

Nameplate NP1756	
INPUT H.P.	1.54
RATIO	30
	R TORQ-INLB 1313
	WDF-926-30-B5-G
CAT./SPEC	WDFG3026AG
DATE CODE	GR0206C004

Parts List		
Part Number	Description	Quantity
HG0016A12	926 GEAR HOUSING, SYMM SEALED	1.000 EA
HA4027A02	SQUARE HEAD PIPE PLUG 3/8" NPTF #304 S.S	1.000 EA
926-1SR	N5000-281 WALDES TRUARC RETAINING RING	2.000 EA
WM0062B06	926 MTZ WORM ASSY 30:1 RATIO 5/8 BORE	1.000 EA
BG6306A01	6306 OPEN,C3,SLUSH	1.000 EA
HW5060A38	RET RING 5160-118(WALDES)	1.000 EA
HA3555A08	EXPANSION PLUG 2.841/2.837 X 5/16	1.000 EA
HW4600G26	SEAL 1.688 X 2.835 X 0.469 SGLLIP, FT802	1.000 EA
GF0007A01	926-3F56 GEAR FLANGE MACH 2.62 & 3.25 CD	1.000 EA
84XN3118S24	5/16-18X1 1/2 HX SOC HD CAP SCREW, STAIN	4.000 EA
HW1001S31	WASHER, 5/16 SPLT LK, STAINLESS STEEL	4.000 EA
BS0019A02	926-5 BEARING SUPPORT, OPEN-FOR SYMM HSG	1.000 EA
GS0037A01	WORMGEAR GASKET, .003 (GREEN), 4.65 ID X	1.000 EA
GS0037A02	WORMGEAR GASKET, .005 (BLUE), 4.65 ID X	2.000 EA
GS0037A03	WORMGEAR GASKET, .010 (BROWN), 4.65 ID X	2.000 EA
HW4600G32	SEAL 1.125 X 1.624 X 0.250 DBLLIP, FT802	1.000 EA
HW4600B74	V-RING SLINGER 1.125 X 1.445 X .24 VITON	1.000 EA
10XN3118S12	5/16-18 X 3/4 HEX HEAD CAP, STAINLESS ST	4.000 EA
SG0012B19	926 COMP GEAR SH ASSY 30:1, SGL O/P, WAS	1.000 EA
BS0048A02	926-5 BEARING SUPPORT, CLOSED-FOR SYMM H	1.000 EA
GS0037A01	WORMGEAR GASKET, .003 (GREEN), 4.65 ID X	1.000 EA
GS0037A02	WORMGEAR GASKET, .005 (BLUE), 4.65 ID X	2.000 EA
GS0037A03	WORMGEAR GASKET, .010 (BROWN), 4.65 ID X	2.000 EA
10XN3118S12	5/16-18 X 3/4 HEX HEAD CAP, STAINLESS ST	6.000 EA

Parts List (continued)		
Part Number	Description	Quantity
MJ1000A90	KLUBERSYNTH UH1-6-460 WORMGEAR OIL	0.287 GA
MJ5019A01	ADHESIVE LOCTITE #680 WAS BAD4525	0.001 EA
MJ5004A35	ADHESIVE LOCTITE #243-31 50 ML	0.001 EA
MJ5001A19	LOCTITE #598 ULTRA BLACK, 50 LB PAIL, IT	0.010 LB
MG1500Y09	RAL 1001 WILKOFAS 701.09	0.010 GA
MG1025W01	WILKOFAS 781.01, SIGNAL WHITE #9003	0.010 GA
HA3557A02	ALLIANCE #PP3/8 PLUG	4.000 EA
LB5042	TOE TAG, OIL PREFILL KLUBERSYN (5000/bx)	1.000 EA
LT0066A08	REDUCER MAINT - KLUBE (1700/bx) 8/09	1.000 EA
LB1242	ADHESIVE PATCH 1.10 X 2.03 X .045 THICK	1.000 EA
NP1756	NAMEPLATE, GEAR REDUCER, KLUBERSYNTH UH1	1.000 EA
85XU0208S03	2 X 3/16 DRIVE PIN S.S. (BMH5033)	2.000 EA
MJ1000B01	ANTISEIZE - ALTEMP Q NB 50, 750 GRAM CAN	0.001 EA
HA3556A01	CAPPLUGS T-7X, ORM BORE PLUG 5/8 BORE	1.000 EA
35PA1000	PKG GRP, PRINT PK1008A06	1.000 EA
HW2502E18	#303 SS,SQ KEY 1/4 X 2.000	1.000 EA
10XN3816S16	3/8-16 X 1 HEX HD CAP SCREW, STAINLE	4.000 EA
HW1001S38	WASHER, 3/8 SPLT LK, STAINLESS STEEL	4.000 EA
MP1009A01	4 X 4 ZIP POLYBAG, 4 MIL	1.000 EA

Accessories		
Part Number	Description	Multiplier
WDB26H71	WASHDOWN BASE-HORIZONTAL POS. A/B 926	

No performance data has been
assigned to this product.

GY0206A01

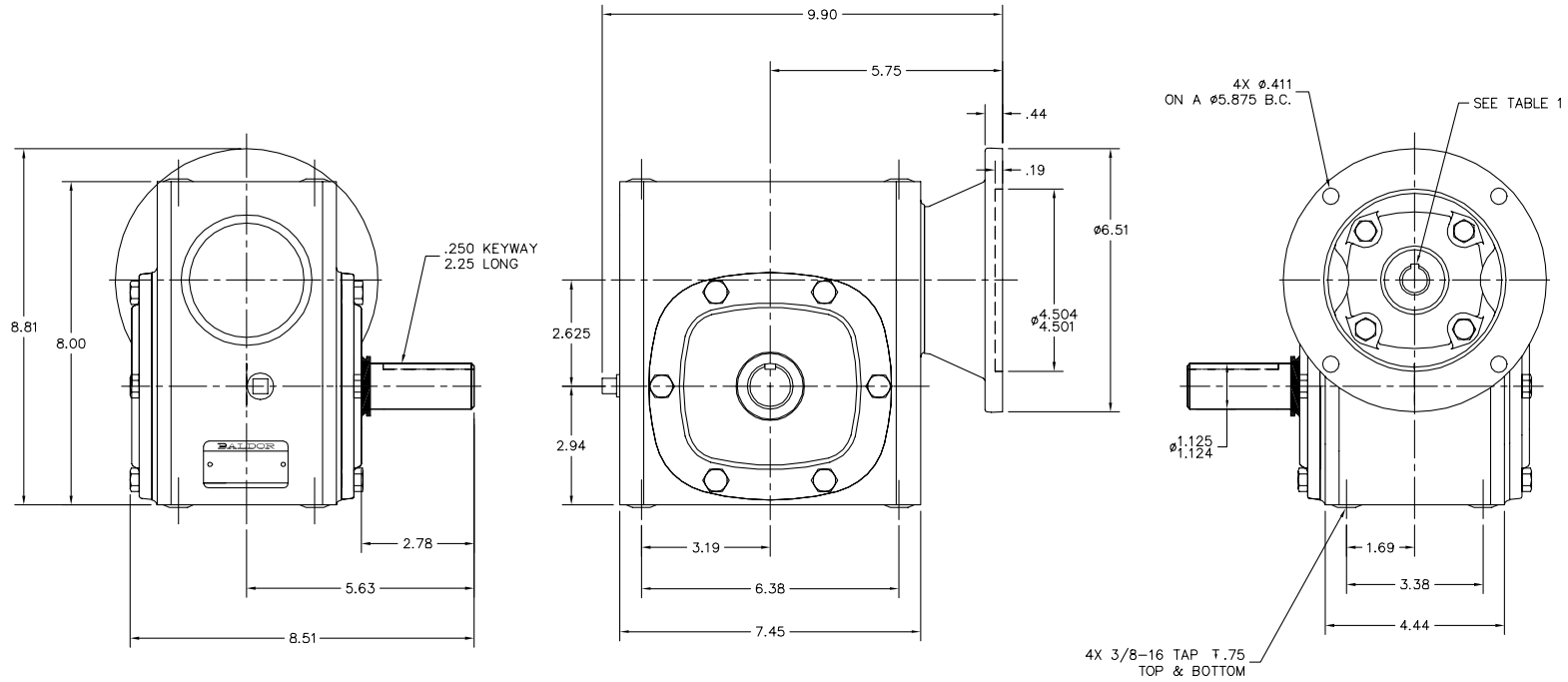


TABLE 1:

	BORE	KEYWAY
B5	.625	.188
B7	.875	.188

CUST. NAME:		CUST. P.O.:		REV. DESC: CHANGED OUTPUT DIAMETER TOLERANCES			BALDOR • DODGE • RELIANCE
MODEL:		CATALOG/SPEC NO.:		REV. LTR: D	VERSION: 04	TDR: 000000513268	
RATIO:		MAX. INPUT HP:	OUTPUT TORQUE:	FILE: \CKA\00010\104	REVISED: 10:27:49 10/06/2009	BY: CKBRISO	WDF-926-B5/B7-G STANDARD MOUNTING SH 1 of 1
RATINGS ARE AGMA CLASS 1 SERVICE AT 1750 RPM INPUT			CERTIFIED BY:	MTL: -			

GY0206A01