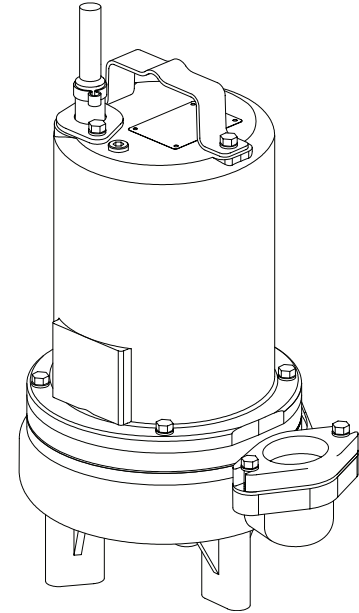


<b>DISCHARGE</b> .....	2" NPT, Female, Vertical, Bolt-on Flange
<b>LIQUID TEMPERATURE</b> .....	104°F (40°C) Continuous
<b>VOLUTE</b> .....	Cast Iron ASTM A-48, Class 30
<b>MOTOR HOUSING</b> .....	Cast Iron ASTM A-48, Class 30
<b>SEAL PLATE</b> .....	Cast Iron ASTM A-48, Class 30
<b>IMPELLER: Design</b> .....	2 Vane, open, with pump out vanes on back side. Dynamically balanced, ISO G6.3
<i>Material</i> .....	Cast Iron ASTM A-48, Class 30
<b>SHAFT</b> .....	416 Stainless Steel
<b>SQUARE RINGS</b> .....	Buna-N
<b>HARDWARE</b> .....	300 Series Stainless Steel
<b>PAINT</b> .....	Air Dry Enamel
<b>SEAL: Design</b> .....	Single Mechanical
<i>Material</i> .....	Carbon/Ceramic/Buna-N
	Hardware -300 Series Stainless
<b>CORD ENTRY</b> .....	15ft. (5m), 20 ft. (6.1m) Cord with plug on 120 volt & .5HP, 240 volt, 1 phase. Quick connect custom molded for sealing and strain relief
<b>SPEED</b> .....	1750 RPM (Nominal)
<b>UPPER BEARING</b> .....	Single Row, Ball, Oil lubricated
<i>Load</i> .....	Radial
<b>LOWER BEARING</b> .....	Single Row, Ball, Oil lubricated
<i>Load</i> .....	Radial & Thrust
<b>MOTOR: Design</b> .....	NEMA L -Single Phase, NEMA B -Three phase Torque Curve, Oil Filled, Squirrel Cage Induction
<i>Insulation</i> .....	Class B
<b>SINGLE PHASE</b> .....	Permanent Split Capacitor (PSC) Includes Overload Protection in Motor
<b>THREE PHASE</b> .....	200-240/480 is Tri-Voltage notor 600V. Requires overload Protection to be included in control panel
<b>LEVEL CONTROL</b> .....	"A" - Wide Angle, PVC, Mechanical, 20 ft (6.1m) cord with Piggy-Back Plug, N/O "AU"- Wide Angle, Polypropylene, Mechanical, N/O Integral to pump. ON and OFF Points are adjustable
<b>OPTIONAL EQUIPMENT</b> .....	Seal Material, Impeller Trims, Additional cord, Normally Closed Temperature Sensors with cord for 3 phase pumps (Requires relay in control panel).
<b>RECOMMENDED:</b>	
<i>Accessories</i> .....	Break Away Fitting (BAF)
	.....Check Valve
	.....Control Panel
<i>Seal Kit PN</i> .....	130180
<i>Service Kit PN</i> .....	130207



### Series: SE (SE51 & SE52) .5, .75, 1.0HP, 1750RPM, 60Hz



Sample Specifications: Section 1 Page 5.

### DESCRIPTION:

SUBMERSIBLE NON-CLOG SEWAGE PUMP  
DESIGNED FOR TYPICAL RAW SEWAGE  
APPLICATIONS

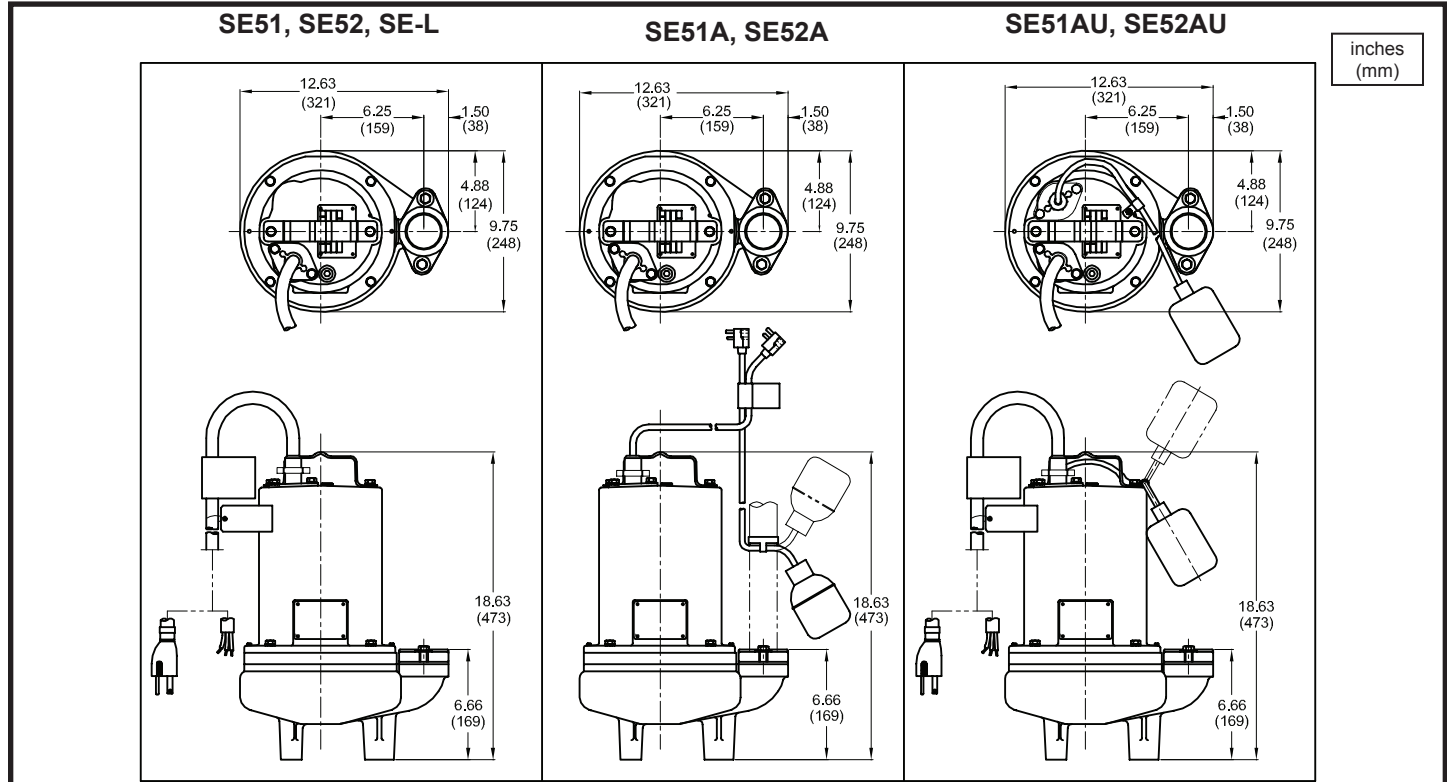
# Series SE-L

2" Spherical Solids Handling  
Manual & Automatic

# BARNES®

www.cranepumps.com

## 1½" & 2" Discharge



inches  
(mm)

MODEL NO	PART NO	HP	VOLT/PH	Hz	RPM (Nom)	NEMA START CODE	FULL LOAD AMPS	LOCKED ROTOR AMPS	CORD SIZE	CORD TYPE	CORD O.D inch (mm)
SE51	104871	0.5	120/1	60	1750	F	11.6	21.3	14/3	SJTOW	0.375 (9.5)
SE51A	104872	0.5	120/1	60	1750	F	11.6	21.3	14/3	SJTOW	0.375 (9.5)
SE51AU	104873	0.5	120/1	60	1750	F	11.6	21.3	14/3	SJTOW	0.375 (9.5)
SE52	104874	0.5	240/1	60	1750	J	5.9	14.9	14/3	SOW	0.530 (13.5)
SE52AU	104875	0.5	240/1	60	1750	J	5.9	14.9	14/3	SOW	0.530 (13.5)
SE594L	104881	0.5	200-240/3	60	1750	H/L	3.2/3.0	9.8/11.0	14/4	SOW	0.570 (14.5)
SE544L	104882	0.5	480/3	60	1750	K	1.5	5.3	14/4	SOW	0.570 (14.5)
SE554L	104883	0.5	600/3	60	1750	H	1.0	3.4	14/4	SOW	0.570 (14.5)
SE774L	104884	0.75	200-240/1	60	1750	G/K	7.4/7.0	21.5/25.8	14/3	SOW	0.530 (13.5)
SE794L	104885	0.75	200-240/3	60	1750	H/K	4.8/4.5	13.7/15.4	14/4	SOW	0.570 (14.5)
SE744L	104886	0.75	480/3	60	1750	K	2.2	7.7	14/4	SOW	0.570 (14.5)
SE754L	104887	0.75	600/3	60	1750	L	1.5	7.2	14/4	SOW	0.570 (14.5)
SE1074L	104888	1.0	200-240/1	60	1750	D/G	8.8/8.3	21.5/25.8	14/3	SOW	0.530 (13.5)
SE1094L	104889	1.0	200-240/3	60	1750	E/H	5.1/4.9	13.7/15.4	14/4	SOW	0.570 (14.5)
SE1044L	104890	1.0	480/3	60	1750	H	2.4	7.7	14/4	SOW	0.570 (14.5)
SE1054L	104891	1.0	600/3	60	1750	J	1.9	7.2	14/4	SOW	0.570 (14.5)

Mechanical Switch on SE51A, cord 16/2, SJOW, 0.320 (8.1mm) O.D., Piggy-Back Plug  
Mechanical Switch on SE-AU, cord 14/2, SJOW, 0.345 (8.8mm) O.D.

### IMPORTANT !

- 1.) PUMP MAY BE OPERATED "DRY" FOR EXTENDED PERIODS WITHOUT DAMAGE TO MOTOR AND/OR SEALS.
- 2.) THIS PUMP IS NOT APPROPRIATE FOR THOSE APPLICATIONS SPECIFIED AS CLASS I DIVISION I HAZARDOUS LOCATIONS.
- 3.) INSTALLATIONS SUCH AS DECORATIVE FOUNTAINS OR WATER FEATURES PROVIDED FOR VISUAL ENJOYMENT MUST BE INSTALLED IN ACCORDANCE WITH THE NATIONAL ELECTRIC CODE ANSI/NFPA 70 AND/OR THE AUTHORITY HAVING JURISDICTION. THIS PUMP IS NOT INTENDED FOR USE IN SWIMMING POOLS, RECREATIONAL WATER PARKS, OR INSTALLATIONS IN WHICH HUMAN CONTACT WITH PUMPED MEDIA IS A COMMON OCCURRENCE.

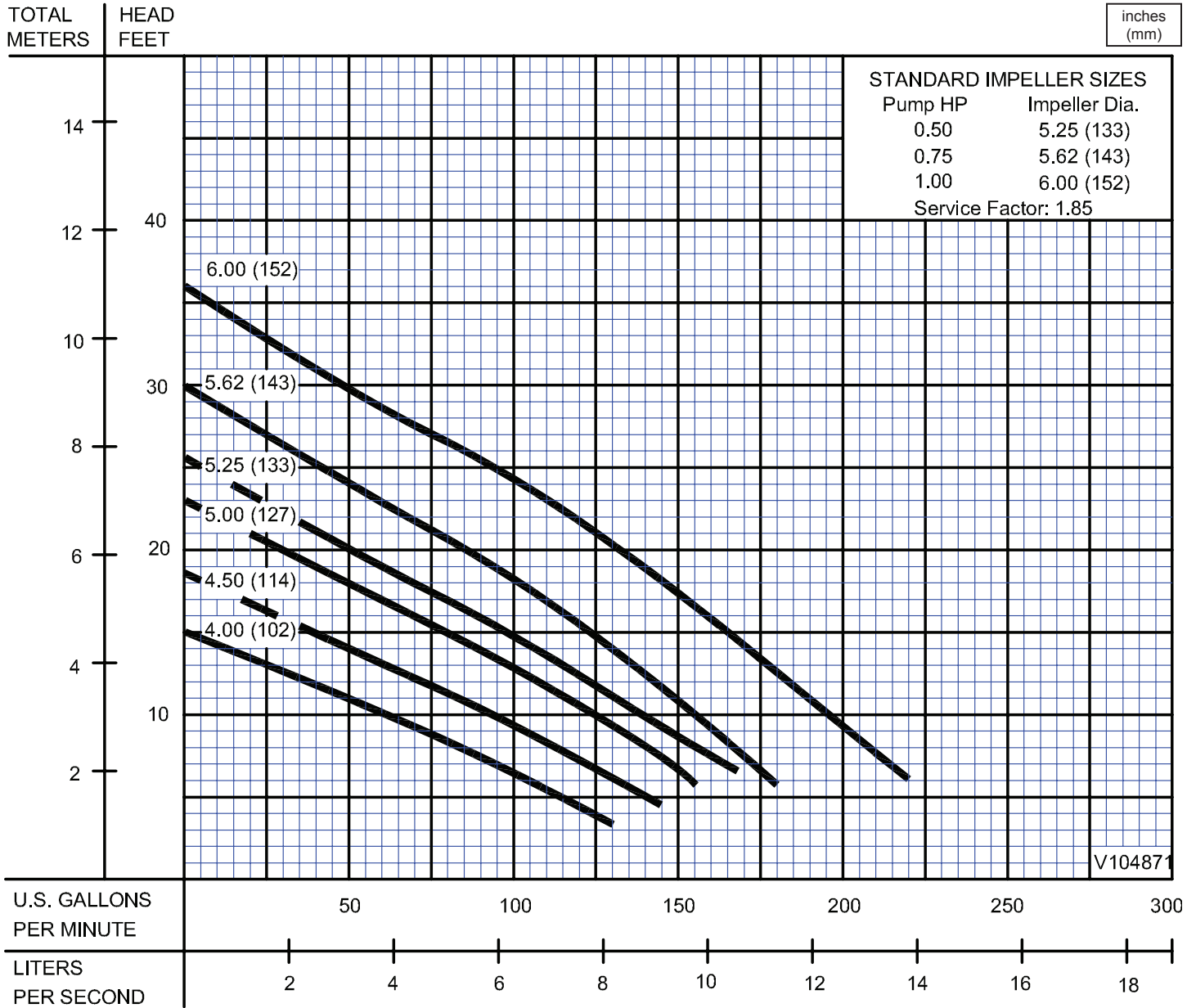
SECTION 1B  
PAGE 14  
DATE 6/13

# CRANE®

A Crane Co. Company

## PUMPS & SYSTEMS

USA: (937) 778-8947 • Canada: (905) 457-6223 • International: (937) 615-3598



Testing is performed with water, specific gravity 1.0 @ 68° F @ (20°C), other fluids may vary performance