



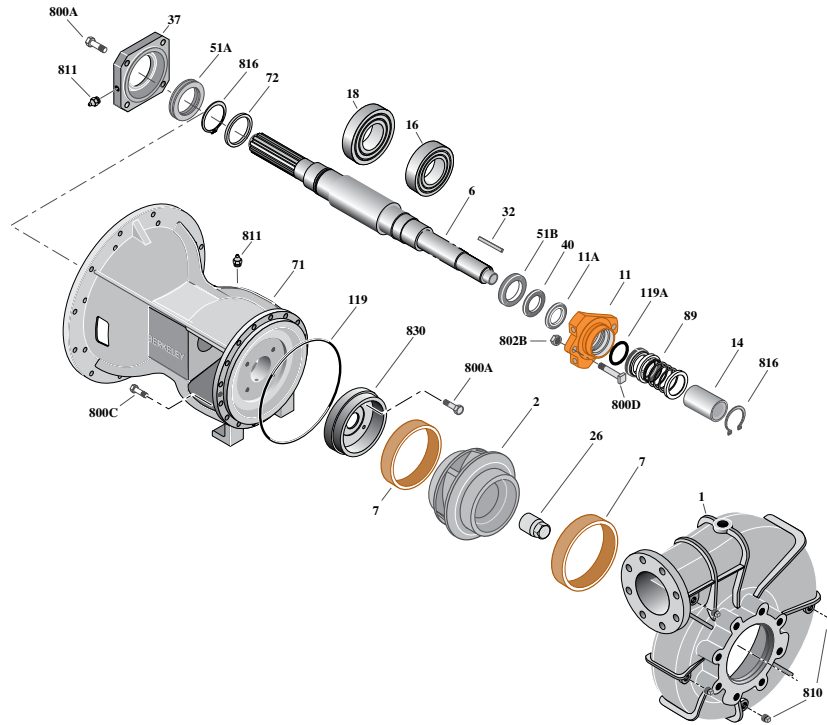
# Type "B" Single Stage Centrifugal Pump SAE Engine Mount

Section	SAE
Page	245.5
Date	January 1, 2012
New	

## CAST IRON IMPELLERB6XTQBHS

### Flanged Case

### Mechanical Shaft Seal Construction



Ref.	Part Description	Part Number
1	Case, Volute	M12168
2	Impeller	See Table 1
6	Shaft	See Table 1
7	Ring, Wearing (2 Rqd.)	S04879
11	Retainer, Mechanical Shaft Seal, Dry Run	M14960
11A	Dry run Gland Lip Seal	M12177
14	Sleeve, Shaft	S07073L
16	Bearing, Ball	S14049
18	Bearing, Ball	M12181
26	Locknut, impeller	S07829
32	Shaft key, 3/8" X 3/8" X 3-1/2"	M14681
37	Outer Bearing Cap Assembly	M12174
40	Slinger, Water	M09682
51A	Seal, Oil	M12241
51B	Seal, Oil	M12177
71	Bracket	See Table 1
72	Thrust ring	M12182
89	Seal, Mechanical Shaft	M12469
119	O-Ring (volute)	S14444
119A	O-Ring (gland)	M14973
800A	Capscrew, Hex 3/8-16x1" (8 Rqd.)	S26826
800B	Bolt, Sq. Head 1/2-13x2-3/4" (2 Rqd.)	S23794
800C	Capscrew, Hex 5/8-11x1-1/2" (14 Rqd.)	S26999

Ref.	Part Description	Part Number
800C	Capscrew, Hex 5/8-11x1-3/4" (2 Rqd.) top ctr	S27001
802	Nut, Hex 1/2-13 (2 Rqd.)	S23347
810	Plug, Pipe 1/2 NPT (4 Rqd.)	S23717
811	Fitting, Grease	S23702
816	Ring, Retaining	M12183
830	Hub, Balance	M15164
*	Ring, Adapter, SAE 1/2	B80294
	Coupling, replacement elastomeric	B85410

\* Not illustrated

**Table I**

B/M No.	Impeller No.	Imp. Dia.	Bracket No.	Shaft No.	Shaft Spline No.	Shaft Ext.
B85335D	M14679	15-1/2"	M14962	M14678	1-1/2-10T	3"
B85336D	M14680	14"				
B85333D	M14679	15-1/2"				
B85334D	M14680	14"				

**NOTE 1:** Shaft Replacement Kit is available for this model. Berkeley part number B85337. Pump shaft sold in replacement kit only. Refer to Supplement "C" for shaft kit components.

**NOTE 2:** Refer to Supplement "F" for dry run tank repair parts. Dry run lubrication system requires one gallon of food grade hydraulic oil (FGHO), viscosity 150 SSU at 100 °F. Oil not supplied, purchase locally.