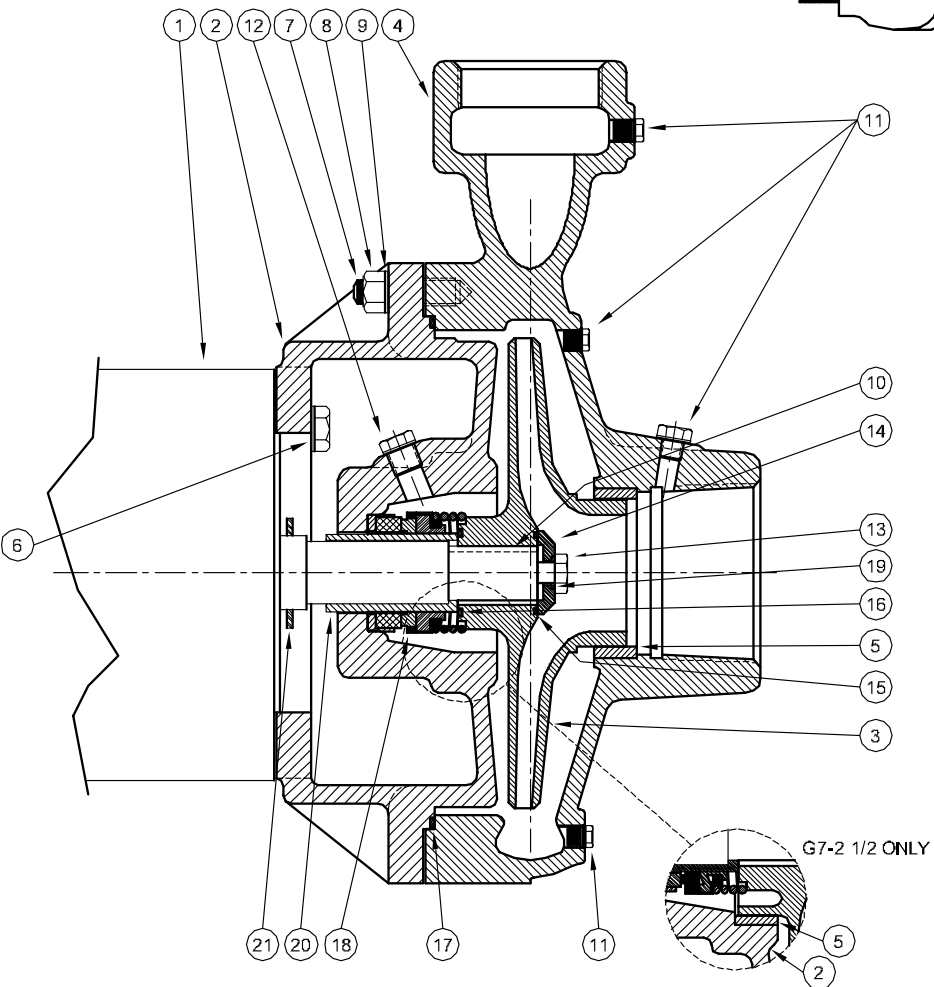
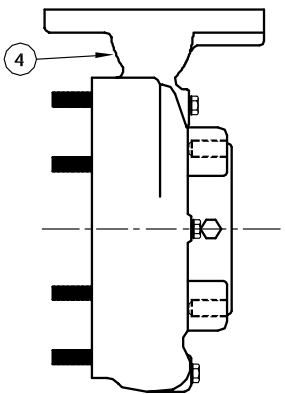


*Centrifugals - Close Coupled*

FLANGED CASING ASSEMBLY



1 - MOTORS			
RPM & PHASE	PART NUMBER	HP	FRAME SIZE
<b>OPEN DRIP PROOF</b>			
1750 RPM Single Phase (ODP)	21393	1	143JM
	21394	1½	145JM
	21395	2	182JM
	21396	3	184JM
1750 RPM Three Phase (ODP)	21419	1	143JM
	21420	1½	145JM
	21421	2	145JM
	21422	3	182JM
3500 RPM Single Phase (ODP)	09902	5	184JM
	21850	7½	213JM
3500 RPM Three Phase (ODP)	09906	5	182JM
	09907	7½	184JM
	09999	10	213JM
	20002	15	215JM
	21169	20	254JM
	21170	25	256JM
	21207	30	284JM
<b>TOTALLY ENCLOSED</b>			
1750 RPM Single Phase (TEFC)	21399	1	143JM
	21400	1½	145JM
	21401	2	182JM
	21402	3	184JM
	21403	5	213JM
1750 RPM Three Phase (TEFC)	21426	1	143JM
	21427	1½	145JM
	21428	2	145JM
	21429	3	182JM
	21430	5	184JM
3500 RPM Three Phase (TEFC)	09950	5	184JM
	09951	7½	213JM
	20000	10	215JM
	20003	15	254JM
	21195	20	256JM
	21457	25	284JM
21215	30	286JM	
<b>EXPLOSION PROOF</b>			
1750 RPM Three Phase (XP)	21433	1	143JM
	21434	1½	145JM
	21435	2	145JM
	21436	3	182JM
	21437	5	184JM
3500 RPM Three Phase (XP)	09954	5	184JM
	09955	7½	213JM
	20001	10	215JM
	20004	15	254JM
	21196	20	256JM
	21458	25	284JM
21218	30	286JM	

SYMBOL NUMBER	PART NUMBER	QTY	DESCRIPTION
<b>PUMPS with 143-215JM Motors</b>			
+15	09933	1	Flat Gasket +
	22083	1	O-Ring Gasket - Buna N (Std)
	22084	1	O-Ring Gasket - Viton
	22094	1	O-Ring Gasket - EPT**
	22085	1	O-Ring Gasket - Teflon
<b>PUMPS with 254-286JM Motors</b>			
+16	21090	1	Flat Gasket +
	22140	1	O-Ring Gasket - Buna N (Std)
	22141	1	O-Ring Gasket - Viton
	22143	1	O-Ring Gasket - EPT**
	22142	1	O-Ring Gasket - Teflon
<b>PUMPS with 143-215JM Motors</b>			
+17	09911	1	Flat Gasket +
	22083	1	O-Ring Gasket - Buna N (Std)
	22084	1	O-Ring Gasket - Viton
	22094	1	O-Ring Gasket - EPT**
	22085	1	O-Ring Gasket - Teflon
<b>PUMPS with 254-286JM Motors</b>			
+18	21092	1	Flat Gasket +
	22089	1	O-Ring Gasket - Buna N (Std)
	22090	1	O-Ring Gasket - Viton
	22096	1	O-Ring Gasket - EPT**
	22091	1	O-Ring Gasket - Teflon
18	20418	1	Flat Gasket +
	125857-200	1	O-Ring Gasket - Buna N (Std)
	23004	1	O-Ring Gasket - Viton
	23005	1	O-Ring Gasket - EPT**
	23006	1	O-Ring Gasket - Teflon
<b>PUMPS with 143-215JM Motors</b>			
18	09917		Mechanical Seal - Buna-N (Std)
	09926		Mechanical Seal - Viton
	21271		Mechanical Seal - EPT**
<b>PUMPS with 254-286JM Motors</b>			
18	21136		Mechanical Seal - Buna-N (Std)
	21189		Mechanical Seal - Viton
	21721		Mechanical Seal - EPT**

"CONTINUED ON NEXT PAGE"

(\*) Casing Assy. Includes Symbols 4, 9 & 14.

(\*\*) For hot water and Caustic service.

(+) Series G7-2, G7A-2 & G7-2-1/2 pumps have been manufactured with either a flat or O-ring type gasket. Determine which type is required before ordering. When in doubt, order flat gasket.

(♦) Adapter Assy. includes symbol 5.

SYMBOL NUMBER	PART NUMBER	QTY	DESCRIPTION	
2	20650	1	Adapter - 143-184JM Motors	
	20419	1	Adapter - 213-215JM Motors	
	21086	1	Adapter Assy ♦ - 254-256 JM Motors	
	21310	1	Adapter Assy ♦ - 284-286 JM Motors	
<b>1750 RPM</b>				
3	20420-7.00	1	Impeller - 104G7-2 & 3104G7-2	
	20420-7.56	1	Impeller - 154G7-2 & 3154G7-2	
	20421-6.56	1	Impeller - 104G7A-2 & 3104G7A-2	
	20421-7.06	1	Impeller - 154G7A-2 & 3154G7A-2	
	20421-7.63	1	Impeller - 204G7A-2 & 3204G7A-2	
	21087-1-6.13	1	Impeller - 154G7-2-1/2 & 3154G7-2-1/2	
	21087-1-6.50	1	Impeller - 204G7-2-1/2 & 3204G7-2-1/2	
	21087-1-7.25	1	Impeller - 304G7-2-1/2 & 3304G7-2-1/2	
	<b>3450 RPM</b>			
	3	20420-6.25	1	Impeller - 50G7-2 & 350G7-2
		20420-6.88	1	Impeller - 375G7-2
		20420-7.38	1	Impeller - 3100G7-2
20420-7.56		1	Impeller - 3150G7-2	
20420-1		1	Impeller - 254JM Motor	
20421-5.81		1	Impeller - 50G7A-2 & 350G7A-2	
20421-6.31		1	Impeller - 375G7A-2	
20421-6.75		1	Impeller - 3100G7A-2	
20421-7.56		1	Impeller - 3150G7A-2	
20421-1-7.63		1	Impeller - 3200G7A-2	
3	21087-6.75	1	Impeller - 3200G7-2-1/2	
	21087-7.38	1	Impeller - 3250G7-2-1/2	
	21087-7.56	1	Impeller - 3300G7-2-1/2	
*4	22153	1	Casing Assy - G7-2 & G7A-2	
	22271	1	Casing Assy - G7-2F & G7A-2F (Flanged)	
	22154	1	Casing Assy - G7-2-1/2	
	22272	1	Casing Assy -G7-2-1/2F (Flanged)	
5	09915	1	Wear Ring - G7-2 & G7A-2	
	20680	2	Wear Ring - G7-2-1/2	
6	04235	4	Cap Screw - Use with 20650 Adapter	
	1-68-6	4	Cap Screw - Use with 20419 & 21086 Adapter	
	21289	4	Cap Screw - Use with 21310 Adapter	
7	20424	8	Stud	
8	15-6-6	8	Nut	
9	20059	8	Washer	
10	23014	1	Key - 143-215JM Motors	
	22107	1	Key - 254-286JM Motors	
11	01691-A	6	Pipe Plug 1/8" - Bronze	
12	04236	1	Pipe Plug 1/4" - Bronze	
13	1-529-1	1	Cap Screw SS - 143-215JM Motors	
	01638-A	1	Cap Screw SS - 254-286JM Motors	
14	22105-C	1	Washer - Bronze - 143-215JM Motors	
	22106	1	Washer - Bronze - 254-286JM Motors	

**Centrifugals - Close Coupled**

SYMBOL NUMBER	PART NUMBER	QTY	DESCRIPTION
<b>DIFFERING PARTS FOR ALL IRON CONSTRUCTION</b>			
2	21086-B	1	Adapter Assy ♦ - 254-256 JM Motors
	21310-B	1	Adapter Assy ♦ - 284-286 JM Motors
3	20420-A	1	Impeller - Iron
	20421-A	1	Impeller - Iron
	20421-A-1	1	Impeller - Iron
	21087-A	1	Impeller - Iron
Size suffixes same as standard bronze impellers			
6	03288	4	Cap Screw - for 20650-A Adapter
	01638-B	4	Cap Screw - for 20419-B & 21086-A Adapter
8	03160-A	8	Nut
*4	22153-B	1	Casing Assy - G7-2 & G7A-2
	22271-B	1	Casing Assy - G7-2F & G7A-2F (Flanged)
	22154-B	1	Casing Assy - G7-2-1/2
	22272-B	1	Casing Assy -G7-2-1/2F (Flanged)
5	09915-A	1	Wear Ring - G7-2 & G7A-2
	20680-A	2	Wear Ring - G7-2-1/2
11	00158	6	Pipe Plug 1/8" - Steel
	04236-A	1	Pipe Plug 1/4" - SS
14	22105-A	1	Washer - Steel - 143-215JM Motors
	22106-A	1	Washer - Steel - 254-286JM Motors
20	22063-A	1	Shaft Sleeve - Bronze - 143-215JM Motors
	22066-A	1	Shaft Sleeve - Bronze - 254-286JM Motors

(\*) Casing Assy. Includes Symbols 4, 9 & 14.

(\*\*) For hot water or Caustic service.

(+) Series G7-2, G7A-2 & G7-2-1/2 pumps have been manufactured with either a flat or O-ring type gasket. Determine which type is required before ordering. When in doubt, order flat gasket.

(♦) Adapter Assy. includes symbol 5.

SYMBOL NUMBER	PART NUMBER	QTY	DESCRIPTION
<b>PUMPS with 143-215JM Motors</b>			
19	22080	1	O-Ring Gasket - Buna N (Std)
	2-31005-012	1	O-Ring Gasket - Viton
	22093	1	O-Ring Gasket - EPT**
	22082	1	O-Ring Gasket - Teflon
<b>PUMPS with 254-286JM Motors</b>			
20	22086	1	O-Ring Gasket - Buna N (Std)
	22087	1	O-Ring Gasket - Viton
	22095	1	O-Ring Gasket - EPT**
	22088	1	O-Ring Gasket - Teflon
20	22063-C	1	Shaft Sleeve - Bronze - 143-215JM Motors
	22066	1	Shaft Sleeve - Bronze - 254-286JM Motors
21	09918	1	Slinger Washer - 143-215JM Motors
	21093	1	Slinger Washer - 254-286JM Motors
<b>DIFFERING PARTS FOR ALL BRONZE CONSTRUCTION</b>			
2	20650-A	1	Adapter - 143-184JM Motors
	20419-B	1	Adapter - 213-215JM Motors
	21086-A	1	Adapter Assy ♦ - 254-256JM Motors
	21310-A	1	Adapter Assy ♦ - 284-286JM Motors
*4	22153-A	1	Casing Assy - G7-2 & G7A-2
	22271-A	1	Casing Assy - G7-2F & G7A-2F (Flanged)
	22154-A	1	Casing Assy - G7-2-1/2
	22272-A	1	Casing Assy -G7-2-1/2F (Flanged)
13	03289	1	Cap Screw, Bronze - 143-215JM Motors
	01638-B	1	Cap Screw, Bronze - 254-286JM Motors

SECTION  
PAGE  
DATE

CCCP  
30  
2/05

**CRANE**<sup>®</sup>

A Crane Co. Company

**PUMPS & SYSTEMS**

USA: (937) 778-8947 • Canada: (905) 457-6223 • International: (937) 615-3598