



FINISH THOMPSON INC.

Sealed, Light/Medium Viscosity

Sealed mixer with 4-blade turbine mixing/blending capability. Ideal for rapid suspension of settled solids.

- Features:** 316SS tube construction
 Top-to-bottom mixing action
 Tube interchangeable with motors
 Up to 1000 cP with electric or air motor

Applications: Dyes, inks, paints, stains, mild corrosives, solvents*, flammables



TMS

Tube Length
40" (102cm)

Construction Specifications

Model	Construction Materials		Tube Dia. in (cm)	Max. Temp.		Min. Temp.	
	Outer Tube	Internals		°F	°C	°F	°C
TMS	316 Stainless Steel	316 Stainless Steel, PTFE	2 (5.1)	200	93	-20	-29

Performance Data

Maximum Circulation	Maximum Specific Gravity	Maximum Viscosity
14 gpm (53 lpm)	1.8	1,000 cP

- *Top-to-bottom mixing action allows rapid suspension of settled solids.*
- *Pulls lighter liquid from top and discharges under pressure out the bottom of the mixer tube.*



*When mixing flammables or combustibles, use explosion proof electric or air drive motors on stainless steel tubes with static protection kit.

Need help choosing a pump?
 Use the handy online Pump Selector at:
www.finishthompson.com.



MOTOR DATA



TEFC
(M7T, M8T)



Exp-Proof
(M7X)



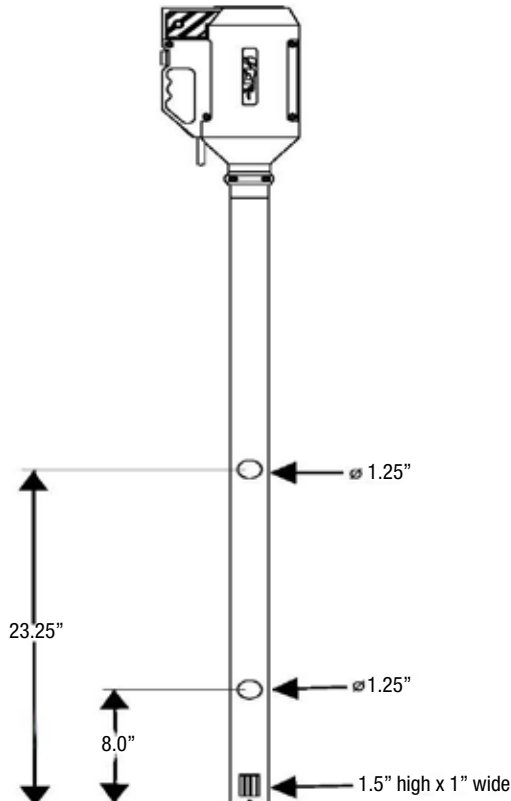
Air
(M6, M6X)

Model	Description	Certification	Electrical Requirements	Input	Output	RPM
				W	W	
TEFC (Totally Enclosed Fan Cooled), IP54 Motors						
M7T	Continuous duty. 12 ft. (3.5 m) cord w/ NEMA 5-15 Type B plug and circuit breaker w/ manual reset.	CSA	115VAC/50-60 Hz	500	180	2850/3450
M8T	Continuous duty. 12 ft. (3.5 m) cord.	CE	230VAC/50-60 Hz	500	180	2850/3450
Explosion Proof Motors						
M7X	Suitable for use in hazardous areas, ideal for flammable liquids. TEFC housing. 12ft. (3.5m) cord, internal circuit breaker. Continuous duty.	CSA	115VAC/50-60 Hz	500	180	2850/3450
Air Motors^{†‡}						
M6	Lightweight. Operates from customer-supplied compressed air source. Variable speed. Muffler and control valve.	CE	80-100 psi @ 15-32 cfm	-	400	300-9,000
M6X		CE	80-100 psi @ 15-32 cfm	-	600	300-6,000

[†]An air motor is a non-electrical device meaning possibility of explosion from igniting flammables/combustibles is reduced. Air motor performance will depend upon user's system setup.

[‡]Motor suitable for hazardous areas that do not require independent certification.

Dimensions



Accessories

Drum Adapters



Static Protection Kit



Air Hose Assembly



Filter Lubricator Assembly

