

BRONZE CLOSE COUPLED RUBBER IMPELLER PUMP

RUBBER IMPELLER PUMPS SERIES 201D



FEATURES

- Pipe Size 3/8"
- Compact Size
- Bronze Construction - Corrosion Resistance
- Nitrile Lip Seal
- Large Vent Openings Separate Pump & Motor
- Stainless Steel Motor Shaft
- Motor Shaft Slinger Protects Motor Bearings
- Rubber Motor Grommets for Noise Isolation
- Impeller and Cam Easily Replaced
- Garden Hose Threads (External) & Pipe Threads (Internal) for Port Connections
- Available with 12, 24 and 32 volt D.C. Motor Drive
- Neoprene Impeller Standard (optional Nitrile Impeller - 04)
- For Close Coupled AC Motor units, see Models 211D and 211M
- Marine uses include Bilge, Washdown, Baitwell and General Transfer

DRIVE

Motor drive is clockwise facing pump end. Liquid flow direction is right to left facing pump end. Correct D.C. voltage must be supplied to motor - 12, 24 or 32 volts as specified on motor name plate.

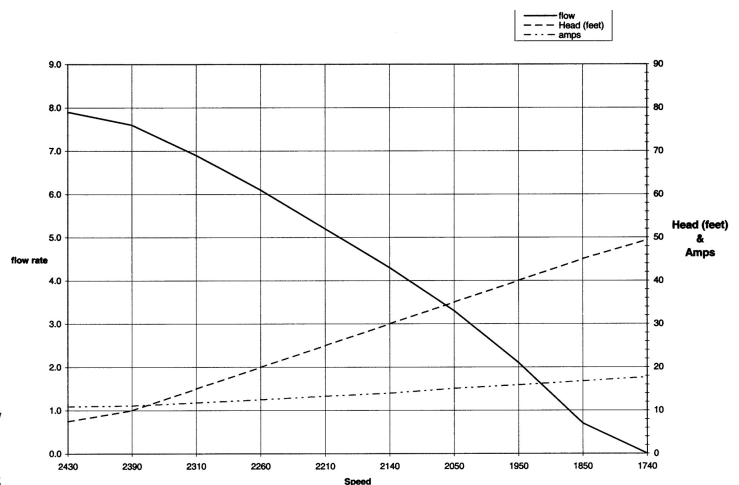
Horizontal motor mountings - including sidewall mountings are recommended. The pump can be mounted in any of four positions 90° apart. Two screws attach pump to motor.

LIQUIDS AND TEMPERATURE

Liquids compatible with neoprene can be pumped including fresh and salt water solutions and mild chemicals. Do not pump severe solvents or acids. When possible, flush pump with fresh water after each usage. Nitrile impellers can handle oil, contaminated water and kerosene at reduced impeller service life.

Extremes of cold and heat will affect impeller life. Limits of 40° to 180°F should be observed. Do not allow liquid in pump to freeze. Drain pump by loosening cover screws. Use methyl alcohol based anti-freeze compounds such as Zerex, Shell Zone, Pyro Permanent, Permagard, and Dowgard. Rubber impeller pumps are not suitable for pumping gasoline or solvents

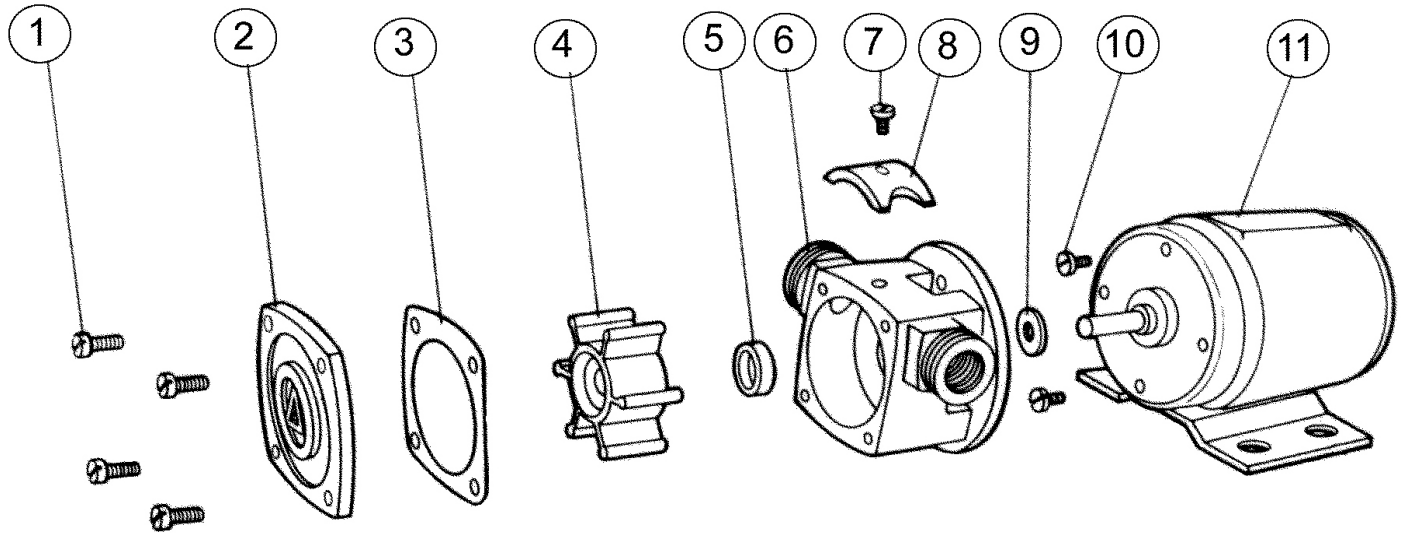
PERFORMANCE



SUCTION LIFT

Suction lift of 3 ft. is possible when impeller is wet. Suction lines must be air tight in order for pump to self-prime. A foot valve at the beginning of suction line is recommended.

EXPLODED VIEW AND PARTS LIST



Pump No.	1	2	3 ¹	4 ¹	5 ¹	6	7	8	9	10	11	12 ²	Repair Kit ¹
	Screw	Cover	Gasket	Impeller	Lip Seal	Body	Screw	Cam	Slinger	Screw	Motor	Lock Washer	
	2 Req'd	1 Req'd	1 Req'd	1 Req'd	1 Req'd	1 Req'd	1 Req'd	1 Req'd	1 Req'd	2 Req'd	1 Req'd	2 Req'd	
201D-A88	5385	6597	6654	6617	6647	6639	7300-41	6592	6651	7424	8029	5656	10703
201D-A89	5385	6597	6654	6617	6647	6639	7300-41	6592	6651	7424	8030	5656	10703
201D-A90	5385	6597	6654	6617	6647	6639	7300-41	6592	6651	7424	8031	5656	10703

¹ Repair kit contains items 3, 4 & 5.

² Not shown.

Pump No.	1	2	3 ¹	4 ¹	5 ¹	6	7	8	9	10	11	12 ²	Repair Kit ¹
	Screw	Cover	Gasket	Impeller	Lip Seal	Body	Screw	Cam	Slinger	Screw	Motor	Lock Washer	
	2 Req'd	1 Req'd	1 Req'd	1 Req'd	1 Req'd	1 Req'd	1 Req'd	1 Req'd	1 Req'd	2 Req'd	1 Req'd	2 Req'd	
201D	5385	6597	6654	6617	6647	6639	7300-41	6592	6651	7424	---	5656	10703

¹ Repair kit contains items 3, 4 & 5.

² Not shown.

Model 201D

Pump #	Config	1a	1b	2	3	4	5	6	7	8	9	10	11	12*	13*	Repair Kit
		Screw	Screw	Cover	Gasket	Impeller	Lip Seal	Body	Cam Screw	Cam	Slinger	Screw	Motor	Lock Washer	Grommet	
201D	Neoprene	6074	5385	6597	6654	6617	6647	6639	7300-41	6592	6651	2371		5656	6650	10703
	Buna	6074	5385	6597	6654	7885	6647	6639	7300-41	6592	6651	2371		5656	6650	11666
Motor #	Config															
A88	1/10 HP, 2300 RPM, 12 VDC, TEFC											8029				
A89	1/10 HP, 2300 RPM, 24 VDC, TEFC											8030				
A90	1/10 HP, 2300 RPM, 32 VDC, TEFC											8031				

Repair Kit includes items 3,4,5

* Items not shown

Motor	Specification	Part No.
A88	1/10 HP, 2300 RPM, 12 v, Single Phase, TEFC	8029
A89	1/10 HP, 2300 RPM, 24 v, Single Phase, TEFC	8030
A90	1/10 HP, 2300 RPM, 32 v, Single Phase, TEFC	8031

DIMENSIONS

