

ACEDU

Use With: OM--04760  
MR--04959

PUBLICATION NUMBER PL--04985--02  
March 17, 1999  
Rev. A 05/13/03



**PUMP MODELS**  
**14D1 – GX390**  
**14D1 – (GX390) PPO**

**MANUAL**  
**PART 2 of 3**

**PARTS**  
**LIST**  
**WITH**  
**PERFORMANCE CURVE**

**THE GORMAN-RUPP COMPANY • MANSFIELD, OHIO**

GORMAN-RUPP OF CANADA LIMITED • ST. THOMAS, ONTARIO, CANADA Printed in U.S.A.

©Copyright by the Gorman-Rupp Company



The engine exhaust from this product contains chemicals known to the State of California to cause cancer, birth defects or other reproductive harm.

## PERFORMANCE CURVE – SECTION A

### RECORDING MODEL AND SERIAL NUMBERS

Please record the pump model and serial number in the spaces provided below and in the separate Installation/Operation Manual accompanying your pump. Your Gorman-Rupp distributor needs this information when you require parts or service.

Pump Model: \_\_\_\_\_

Serial Number: \_\_\_\_\_

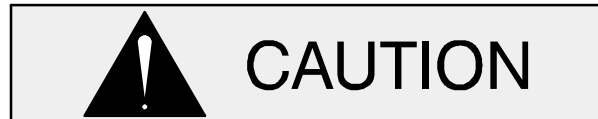
### WARRANTY INFORMATION

The pump warranty is provided as part of Gorman-Rupp's support program for customers who operate and maintain their equipment as described in this manual and other accompanying literature. Please note that should the equipment be abused or modified to change its performance beyond the original factory specifications, the warranty will become void and any claim will be denied.

### PERFORMANCE CURVES

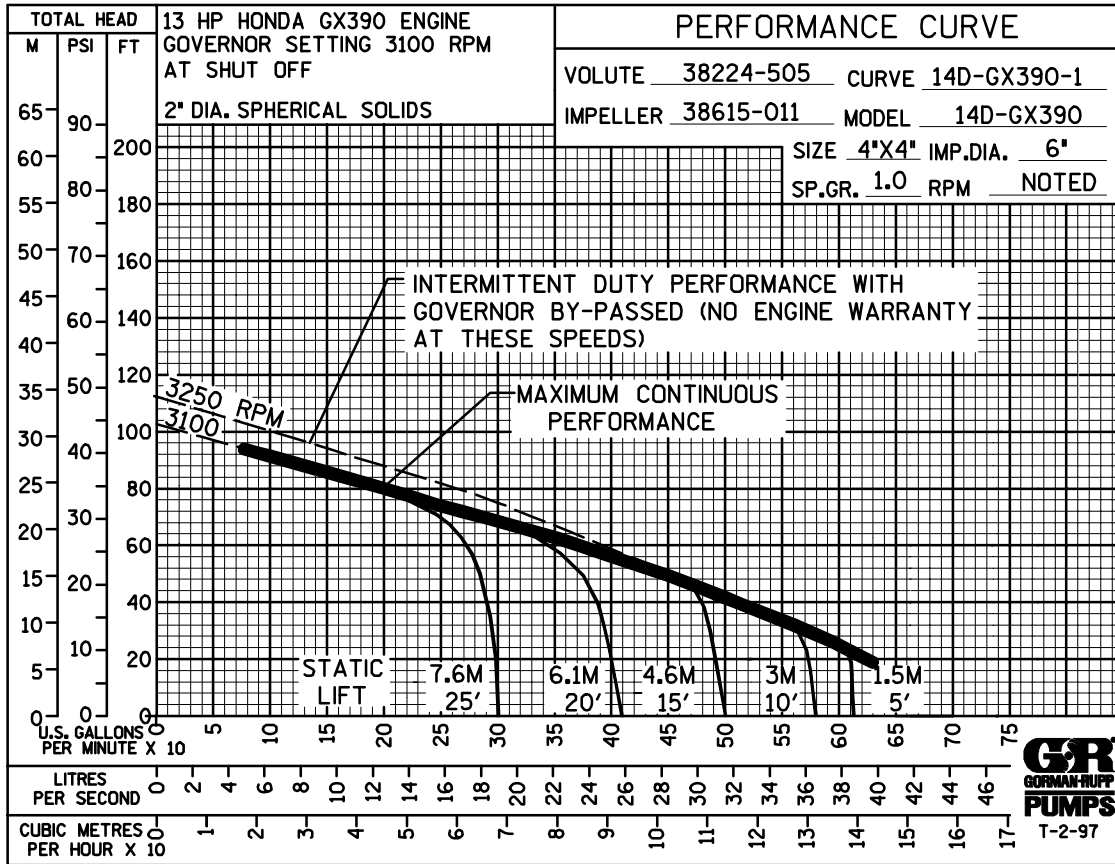
The performance curves on the following page are based on 70° F (21° C) clear water at sea level. Since pump installations are seldom identical, your performance may be different due to such factors as viscosity, specific gravity, elevation, temperature, and impeller trim.

If your pump serial number is followed by an "N", your pump is **NOT** a standard production model. Contact the Gorman-Rupp Company to verify performance or part numbers.



Pump speed and operating condition points must be within the continuous performance range shown on the curve(s).

This Page Intentionally Blank

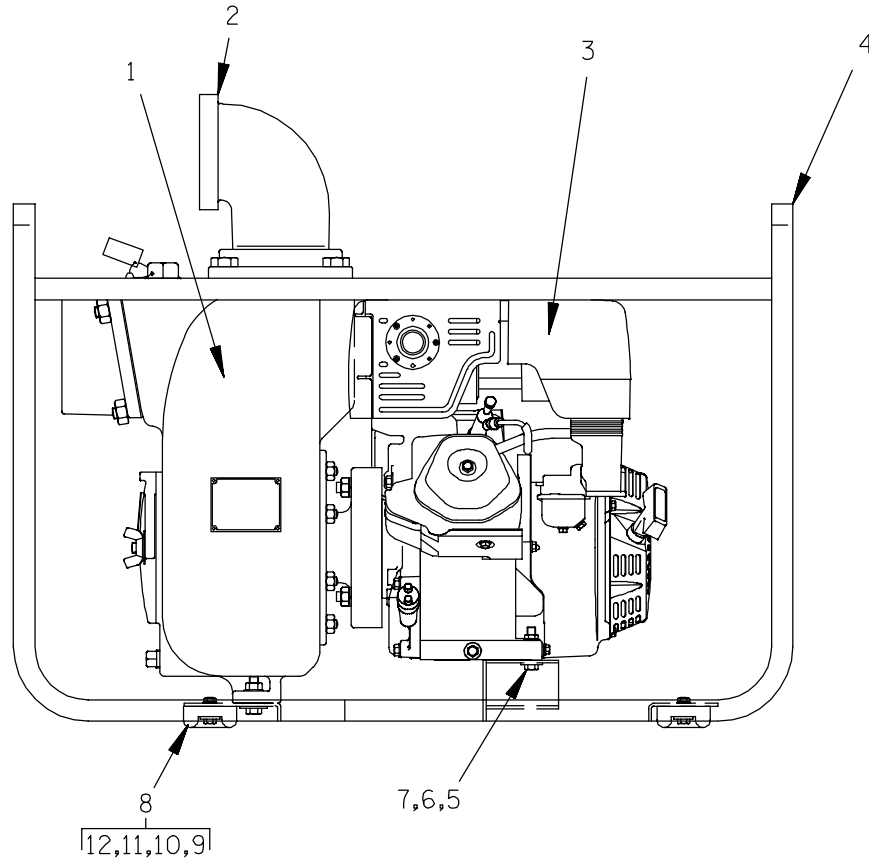


Performance Curve - Model 14D1 - GX390 And 14D1 - (GX390) PPO

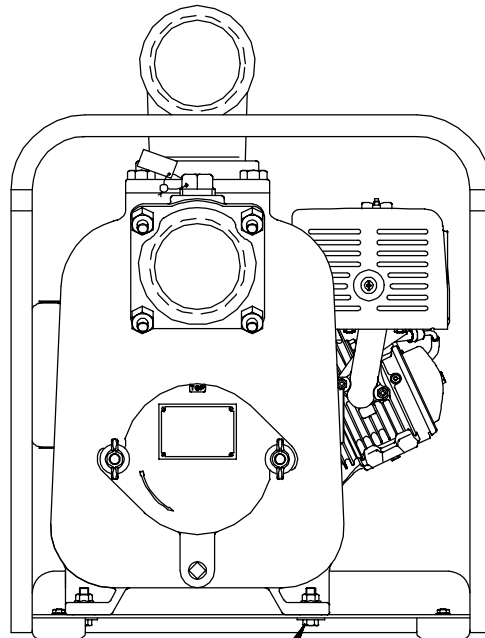
# 14D1 -- GX390 14D1 -- (GX390) PPO

S/N 1142746 UP

PUMP ISSUE 2



12,11,10,9



15,14,13

## THE GORMAN-RUPP COMPANY • MANSFIELD, OHIO

GORMAN-RUPP OF CANADA LIMITED • ST. THOMAS, ONTARIO, CANADA Printed in U.S.A.

©Copyright by the Gorman-Rupp Company

# 14D1 -- GX390

## 14D1 -- (GX390) PPO

S/N 1142746 UP

### PUMP ISSUE 2

If your pump serial number is followed by an "N", your pump is NOT a standard production model. Contact the Gorman-Rupp Company to verify part numbers.

ITEM NO.	PART NAME	PART NUMBER	MAT'L CODE	QTY
1	PUMP END ASSY	14D1--(GX390)	---	1
2	STREET ELBOW	RS64	11990	1
3	HONDA GX390 ENGINE	29122-036	---	1
4	ROLLOVER BASE	41583-334	24150	1
5	HEX HD CAPSCREW	B0607	15991	2
6	FLANGED HEX NUT	21765-314	---	2
7	FLAT WASHER	K06	15991	2
8	RUBBER FOOT MTG KIT	48152-603	---	1
9	-RUBBER BUMPER	S1224	---	4
10	-FLAT WASHER	K05	15991	4
11	-HEX HD CAPSCREW	B0504	15991	4
12	-FLANGED HEX NUT	21765-312	---	4
13	HEX HD CAPSCREW	B0706	15991	2
14	FLAT WASHER	K07	15991	2
15	FLANGED HEX NUT	21765-315	---	2
NOT SHOWN:				
	WARNING DECAL	2613FE	---	1
	HAND CARRY DECAL	2613FT	---	4

**THE GORMAN-RUPP COMPANY • MANSFIELD, OHIO**

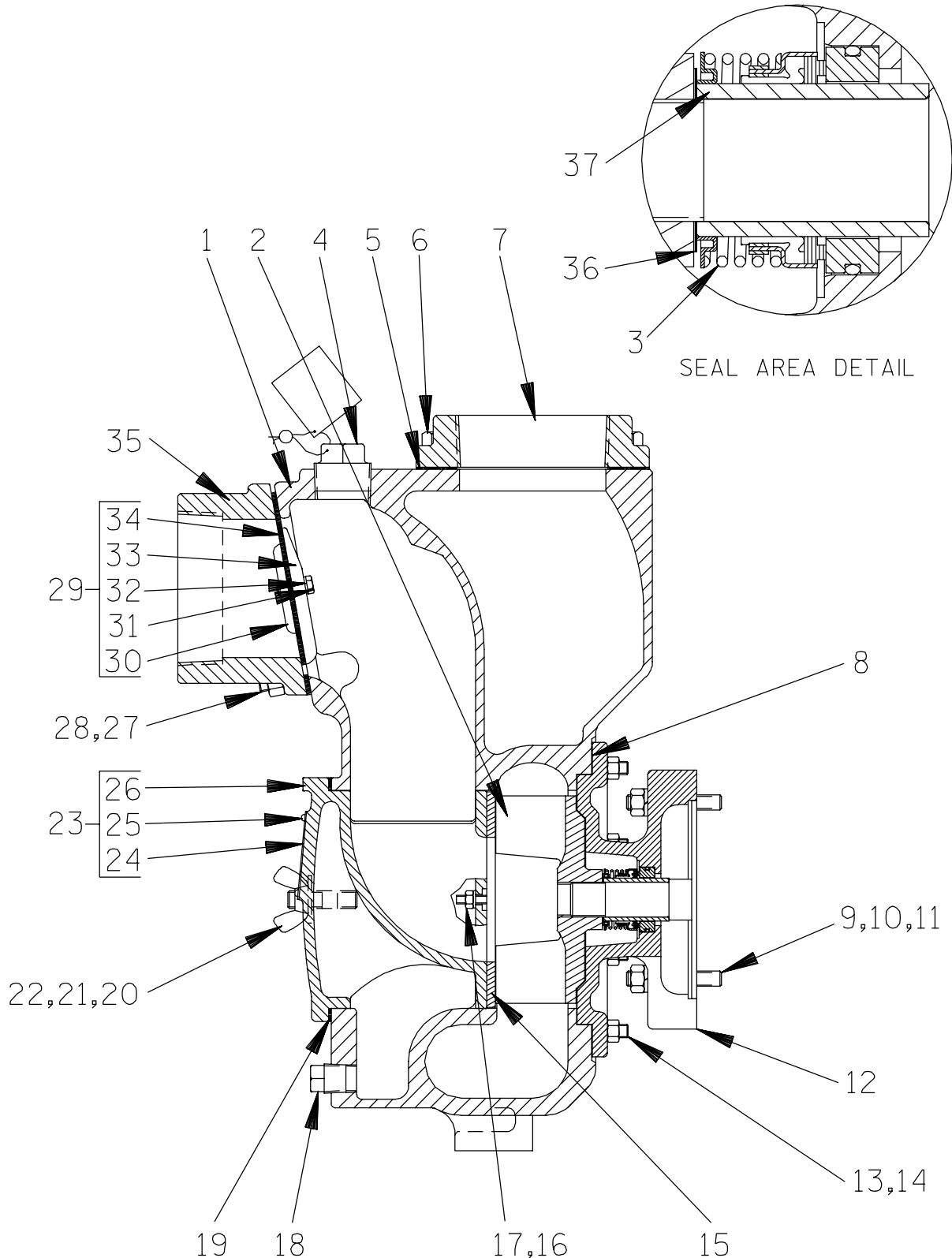
GORMAN-RUPP OF CANADA LIMITED • ST. THOMAS, ONTARIO, CANADA Printed in U.S.A.

©Copyright by the Gorman-Rupp Company

# 14D1 -- GX390 14D1 -- (GX390) PPO

S/N 1142746 UP

PUMP ISSUE 2



## THE GORMAN-RUPP COMPANY • MANSFIELD, OHIO

GORMAN-RUPP OF CANADA LIMITED • ST. THOMAS, ONTARIO, CANADA Printed in U.S.A.

©Copyright by the Gorman-Rupp Company

# 14D1 -- GX390

## 14D1 -- (GX390) PPO

S/N 1142746 UP

PUMP ISSUE 2

ITEM NO.	PART NAME	PART NUMBER	MAT'L CODE	QTY	ITEM NO.	PART NAME	PART NUMBER	MAT'L CODE	QTY
1	PUMP CASING	38224-505	13040	1	23	COVER PLATE ASSY	42111-937	---	1
2 *	IMPELLER	38615-011	10010	1	24	-WARNING PLATE	2613EV	13990	1
3 *	SEAL ASSY	25284-951	---	1	25	-DRIVE SCREW	BM#04-03	17000	4
4	FILL PLUG ASSY	48271-065	---	1	26	-BACK COVER PLATE	NOT AVAILABLE		1
5 *	DISCH FLANGE GSKT	38687-009	20000	1	27	STUD	C0808	15991	4
6	HEX HD CAPSCREW	B1005	15991	4	28	HEX NUT	D08	15991	4
7	DISCHARGE FLANGE	38644-506	13000	1	29	CHECK VALVE ASSY	46413-029	---	1
8 *	CASING GSKT SET	48211-022	---	1	30 *	-VALVE WEIGHT	19	10010	1
9	STUD	C0610	15991	4	31	-HEX HD CAPSCREW	B0403-1/2	17000	2
10	LOCKWASHER	J06	15991	4	32	-LOCKWASHER	J04	17000	2
11	HEX NUT	D06	15991	4	33 *	-VALVE WEIGHT	4718	10010	1
12	INTERMEDIATE	38264-323	13000	1	34 *	-CHECK VALVE GSKT	38671-626	19070	1
13	STUD	C0606	15991	8	35	SUCTION FLANGE	38645-506	13000	1
14	HEX NUT	D06	15991	8	36 *	IMP ADJ SHIM SET	2X	17090	REF
15 *	WEAR PLATE ASSY	46451-302	24150	1	37 *	SHAFT SLEEVE	2146M	16000	1
16	LOCKWASHER	J04	15991	2	NOT SHOWN:				
17	HEX NUT	D04	15991	2		NAME PLATE	38818-021	13990	1
18	CASING DRAIN PLUG	P08	15079	1		DRIVE SCREW	BM#04-03	17000	4
19 *	COVER PLATE GSKT	38682-015	20000	1		STRAINER	2690	24000	1
20	STUD	C0808	15991	2		SUCTION STICKER	6588AG	---	1
21	FLAT WASHER	K08	15991	2		DISCHARGE STICKER	6588BJ	---	1
22	COVER WING NUT	BB08	15991	2					

\* INDICATES PARTS RECOMMENDED FOR STOCK

## THE GORMAN-RUPP COMPANY • MANSFIELD, OHIO

GORMAN-RUPP OF CANADA LIMITED • ST. THOMAS, ONTARIO, CANADA Printed in U.S.A.

©Copyright by the Gorman-Rupp Company

## WARRANTY

Pumping units manufactured by The Gorman-Rupp Company, Mansfield, Ohio are guaranteed to be free from defects in material and workmanship for one year from date of shipment from factory in Mansfield, Ohio. The obligation under this Warranty, statutory or otherwise, is limited to replacement or repair at Mansfield, Ohio factory or at a point designated by Gorman-Rupp, of such part as shall appear to us upon inspection at such point, to have been defective in material or workmanship.

This Warranty does not obligate The Gorman-Rupp Company to bear the cost of labor or transportation charges in connection with replacement or repair of defective parts; nor shall it apply to a pump upon which repairs or alterations have been made unless authorized by Gorman-Rupp.

No warranty is made in respect to engines, motors, or trade accessories, such being subject to warranties of their respective manufacturers.

In Submersible Pumps, pump and motor are integral and Submersibles are warranted as a unit. Since motor is subject to an important degree upon quality and performance of electrical controls, unit warranty is valid only when controls have been specified and provided by Gorman-Rupp.

No express implied or statutory warranty, other than herein set forth is made or authorized to be made by Gorman-Rupp.

In no event shall The Gorman-Rupp Company be liable for consequential damages or contingent liabilities arising out of the failure of any Gorman-Rupp pump or parts thereof to operate properly.

THE GORMAN-RUPP COMPANY  
Mansfield, Ohio

NOTE: In Canada, all above references to "The Gorman-Rupp Company, Mansfield, Ohio" is understood to mean "Gorman-Rupp of Canada Limited, St. Thomas, Ontario."

**THE GORMAN-RUPP COMPANY • MANSFIELD, OHIO**

**GORMAN-RUPP OF CANADA LIMITED • ST. THOMAS, ONTARIO, CANADA** Printed in U.S.A.