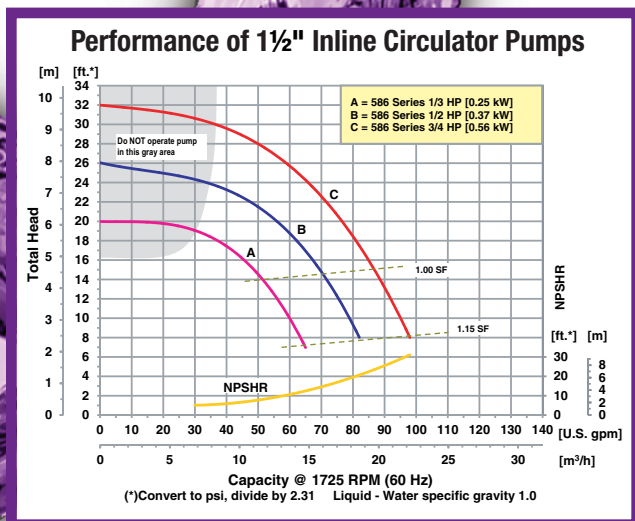


Inline 1-1/2" Circulator Pumps

- **Cast Iron or Silicon Bronze Construction with Silicon Bronze Impeller**
- **EPDM/EPR Mechanical Seal and Casing O-Ring Standard, Viton® Option Available**
- **Includes Mounting Flange Kit for 1-1/2" NPT**
- **Special Flange Designed to Accept B&G Flange or Standard 150lb 4-Bolt Flange**
- **Maximum Water Temperature 225° F (107° C)***
- **Maximum Flow 130 GPM**
- **Maximum Head 53 Ft. (23 PSI)**
- **1/8" NPT Seal Wash/Vent Port**
- **Single Phase or Three Phase TEFC 56C Motor**

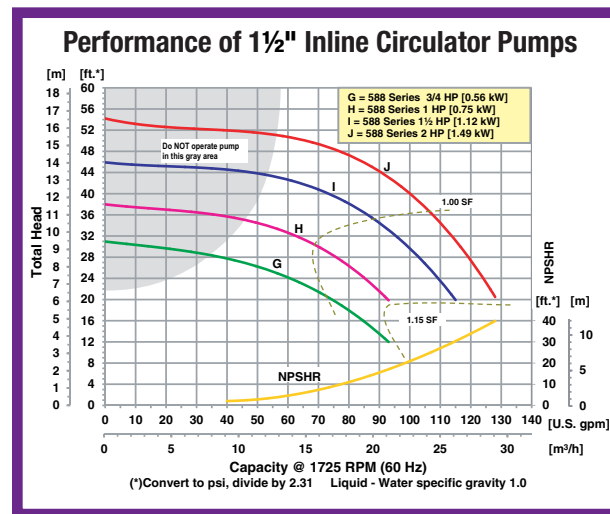
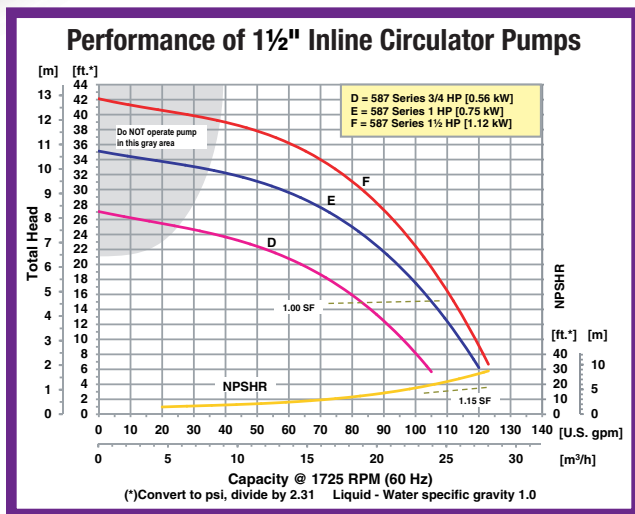


5860-95
Cast Iron
Circulator
Pump



AMT Inline Circulator Pumps are designed for continuous duty industrial/commercial systems. Pumps are available in a variety of material configurations to meet your specifications. Pumps are powered by a 56C NEMA Totally Enclosed Fan Cooled (TEFC) frame electric motor with 1/2" conduit connection. Pumps are interchangeable with other manufacturers.

* Maximum temperature applies to water only.



400 Spring Street • Royersford, PA 19468 USA

www.amtpump.com • 888-amt-pump (268-7867)

For use with nonflammable liquids compatible with pump component materials. Viton® and Teflon® are registered trademarks of E. I. DuPont.

Pump Dimensional & Specification Data

| Model ‡ | Curve | HP | PH | ENC | Voltage @ 60 Hz + | Full Load Amps | A | B | C | D | E | F | G | L** | W | H | B & G Cast Iron Equiv | B & G Bronze Equiv | ‡ Ship Wt. (Lbs.) |
|--------------|-------|-------|--------|------|--------------------|----------------|------------|------------|-----------|-----------|-----------|------------|------------|-------------|------------|-------------|-----------------------|--------------------|-------------------|
| 5864 5865 | A | 1/3 | 1 3 | TEFC | 115/230 230/460 | 7/4 2/1 | 5.4 [13.7] | 6.5 [16.5] | 3.1 [7.8] | 1.4 [3.5] | 0.5 [1.3] | 4.0 [10.2] | 4.0 [10.2] | 19.5 [49.5] | 8.0 [20.3] | 11.5 [29.2] | S607S 607T | B607S B607T | 80 77 |
| 5862 5863 | B | 1/2 | 1 3 | TEFC | 115/230 230/460 | 9/5 3/2 | 5.4 [13.7] | 6.5 [16.5] | 3.1 [7.8] | 1.4 [3.5] | 0.5 [1.3] | 4.0 [10.2] | 4.0 [10.2] | 19.5 [49.5] | 8.0 [20.3] | 11.5 [29.2] | 608S 608T | B608S B608T | 84 80 |
| 5860 5861 | C | 3/4 | 1 3 | TEFC | 115/230 230/460 | 12/6 3/2 | 5.4 [13.7] | 6.5 [16.5] | 3.1 [7.8] | 1.4 [3.5] | 0.5 [1.3] | 4.0 [10.2] | 4.0 [10.2] | 19.5 [49.5] | 8.0 [20.3] | 11.5 [29.2] | 609S 609T | B609S B609T | 90 84 |
| 5874 5875 | D | 3/4 | 1 3 | TEFC | 115/230 230/460 | 12/6 3/2 | 5.4 [13.7] | 7.0 [17.8] | 3.6 [9.1] | 1.0 [2.5] | 0.7 [1.8] | 4.6 [11.7] | 4.0 [10.2] | 20.0 [50.8] | 8.6 [21.8] | 13.5 [34.3] | 621S 621T | B621S B621T | 87 86 |
| 5872 5873 | E | 1 | 1 3 | TEFC | 115/230 230/460 | 14/7 4/2 | 5.4 [13.7] | 7.0 [17.8] | 3.6 [9.1] | 1.0 [2.5] | 0.7 [1.8] | 4.6 [11.7] | 4.0 [10.2] | 20.0 [50.8] | 8.6 [21.8] | 13.5 [34.3] | 613S 613T | B613S B613T | 92 90 |
| 5870 5871 | F | 1-1/2 | 1 3 | TEFC | 115/230 230/460 | 17/9 5/3 | 5.4 [13.7] | 7.0 [17.8] | 3.6 [9.1] | 1.0 [2.5] | 0.7 [1.8] | 4.6 [11.7] | 4.0 [10.2] | 20.0 [50.8] | 8.6 [21.8] | 13.5 [34.3] | 614S 614T | B614S B614T | 102 94 |
| 5886 5887 | G | 3/4 | 1 3 | TEFC | 115/230 230/460 | 12/6 3/2 | 5.5 [13.9] | 7.0 [17.8] | 3.4 [8.6] | 1.0 [2.5] | 0.7 [1.8] | 5.0 [12.7] | 4.3 [10.9] | 19.9 [50.5] | 9.3 [23.6] | 13.5 [34.3] | 622S 622T | B622S B622T | 89 87 |
| 5884 5885 | H | 1 | 1 3 | TEFC | 115/230 230/460 | 14/7 4/2 | 5.5 [13.9] | 7.0 [17.8] | 3.4 [8.6] | 1.0 [2.5] | 0.7 [1.8] | 5.0 [12.7] | 4.3 [10.9] | 19.9 [50.5] | 9.3 [23.6] | 13.5 [34.3] | 623S 623T | B623S B623T | 94 92 |
| 5882 5883 | I | 1-1/2 | 1 3 | TEFC | 115/230 230/460 | 17/9 5/3 | 5.5 [13.9] | 7.0 [17.8] | 3.4 [8.6] | 1.0 [2.5] | 0.7 [1.8] | 5.0 [12.7] | 4.3 [10.9] | 19.9 [50.5] | 9.3 [23.6] | 13.5 [34.3] | 617S 617T | B617S B617T | 104 96 |
| 5880 5881 | J | 2 | 1 3 | TEFC | 115/230 230/460 | 22/11 6/3 | 5.5 [13.9] | 7.0 [17.8] | 3.4 [8.6] | 1.0 [2.5] | 0.7 [1.8] | 5.0 [12.7] | 4.3 [10.9] | 19.9 [50.5] | 9.3 [23.6] | 13.5 [34.3] | 618S 618T | B618S B618T | 105 97 |

** This dimension may vary due to the motor manufacturer's specifications.

(+) 3-Phase models can also operate on 50 Hz. (This will change full load amps, service factor and RPM.)

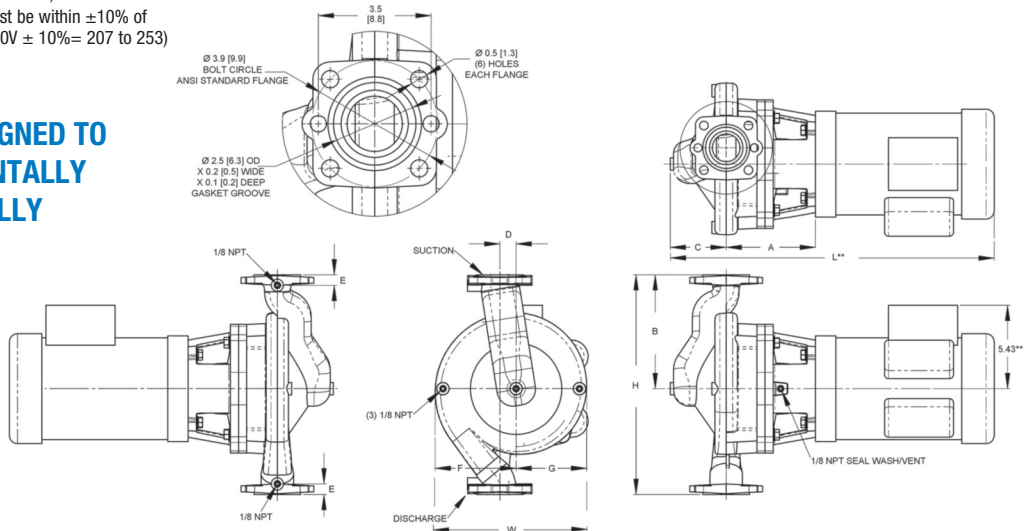
NOTE: Dimensions are in inches (centimeters) and have a tolerance of $\pm 1/8"$

NOTE: Electric supply for all motors must be within $\pm 10\%$ of nameplate voltage rating (Ex. 230V $\pm 10\%$ = 207 to 253)

XCI (-95) = Cast Iron Construction with Bronze Impeller
XB (-97) = Cast Bronze Construction with Bronze Impeller

PUMPS ARE DESIGNED TO MOUNT HORIZONTALLY OR VERTICALLY

‡ When Ordering Add the Correct Suffix (-9x) Suffix to Model Number Indicating Material Selection.



Standard Features

- Includes Mounting Flange Kit for 1-1/2" NPT; Includes (2) Flanges, (2) Gaskets and Fasteners
- Steel Shaft with Sealed Ball Bearing Design Permits Removal of Motor Without Disconnecting Pump or Loss of Liquid
- Special Flange Designed to Accept B&G Flange or Standard 150 Lb. 4 bolt Flanges
- High Efficiency Closed Bronze Impeller
- 1/8" NPT Seal Wash/Vent Port
- Available in Either Single or Three Phase TEFC 56C Motors with Standard NEMA Mounting Dimensions
- EPDM/EPR Mechanical Seal and Casing O-Ring Standard
- Maximum Working Pressure 150 PSI
- Optional Viton® Mechanical Seals and O-Rings Available
- Stainless Steel (300 Series) Sleeve Protects Stub Shaft from Liquid