

BERKELEY® B6ZRH

Cast Iron Impeller

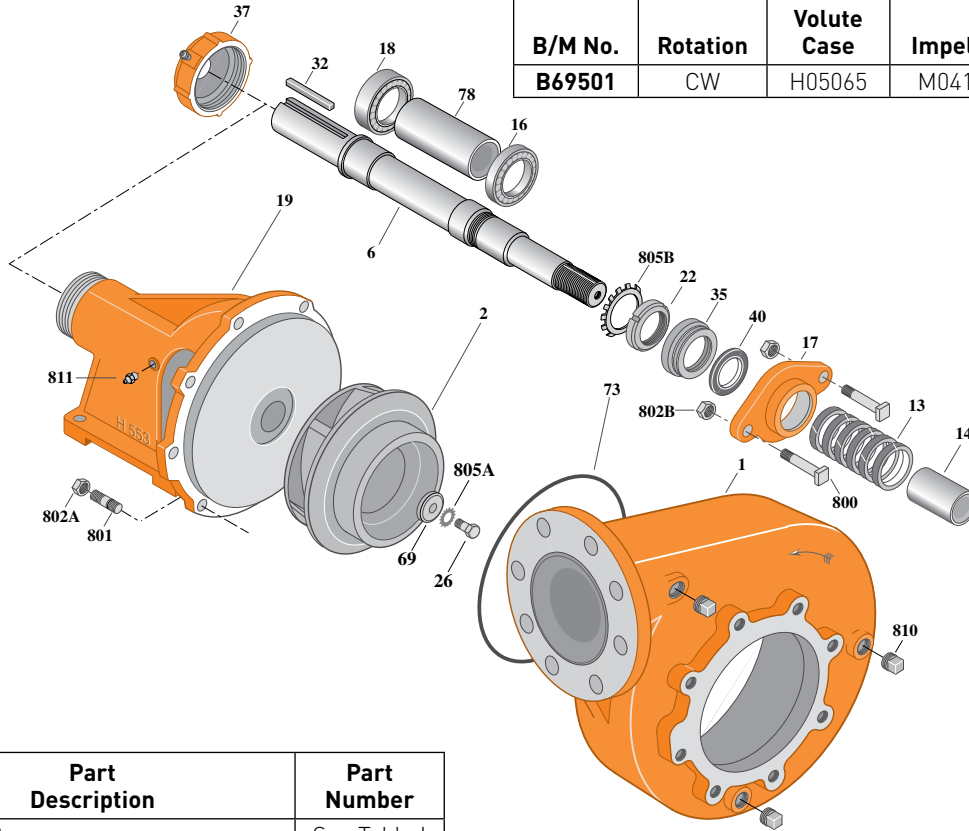
Flanged Case, Packing Construction

BEARING FRAME MOUNT

Section	FM
Page	260.1
Date	March 4, 2013
Supersedes 07/01/11	

Table I

B/M No.	Rotation	Volute Case	Impeller	Impeller Diameter
B69501	CW	H05065	M04186	8" x 9"



Item No.	Part Description	Part Number
1	Case, Volute	See Table I
2	Impeller	See Table I
6	Shaft [Not sold separately]	See Note 2
13	Ring, Packing [Set of 6]	S14022
14	Sleeve, Shaft	S05127L
16	Bearing, Ball	S13270
17	Gland, Packing [See Note 1]	S04948
18	Bearing, Ball	S13271
19	Frame	H00553
22	Locknut	M10221
26	Screw, Impeller 3/8-16x1-3/4"	S23572
32	Key, 1/4x2-1/8"	S24255
35	Inner Bearing Cap	S19033
37	Outer Bearing Cap Assembly*	S19914
40	Slinger, Water	S12260
69	Washer, Impeller	S06314
73	O-Ring [See Note 3]	M14943
78	Sleeve, Spacer	S08980

Item No.	Part Description	Part Number
800	Bolt, Sq. Head 3/8-16x2-1/2" [2 Req.]	S23762
801	Stud, 3/8-16x1-1/4" [8 Req.]	S23994
802A	Nut, Hex 3/8-16 [8 Req.]	S23103
802B	Nut, Hex 3/8-16 [2 Req.]	S23343
805A	Washer, Lock	S23036
805B	Washer, Bearing Lock	S16181
810	Plug, Pipe 1/2 NPT [3 Req.]	S23717
811	Fitting, Grease	S23670

NOTE 1: A two piece (split) stainless steel packing gland is available for replacement, order part number **B82468**.

NOTE 2: **Shaft Replacement Kit** available for this model. Berkeley part number **B07480**. Pump Shaft sold in shaft replacement kit only.

NOTE 3: Also accepts gasket **S05126** as replacement for O-Ring. See **Supplement E** located at the beginning of this section.

* Includes grease fitting and set screw.

BERKELEY® B6ZRHS

Cast Iron Impeller

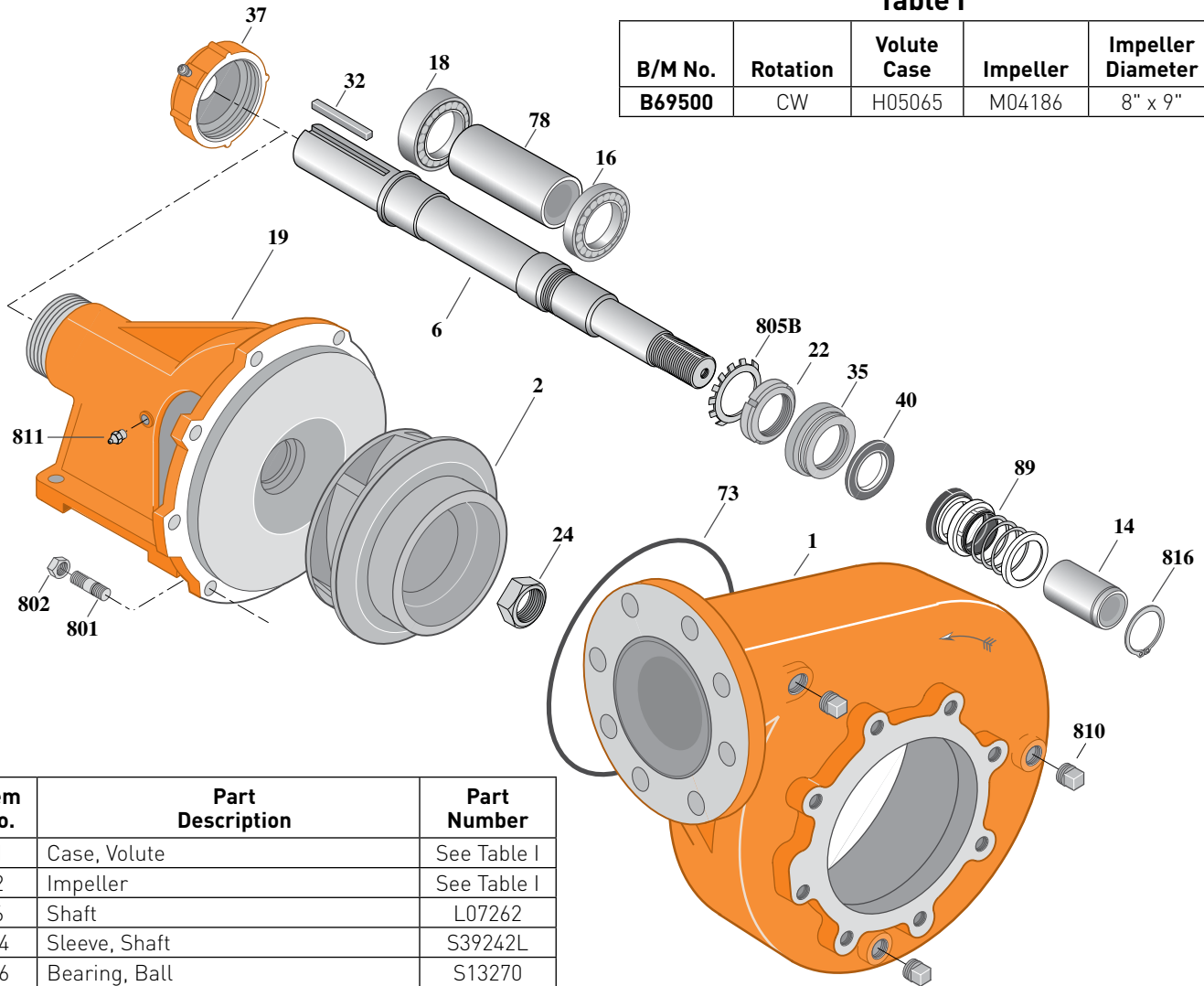
Flanged Case, Mechanical Shaft Seal Construction

BEARING FRAME MOUNT

Section	FM
Page	260.2
Date	March 4, 2013
Supersedes 07/01/11	

Table I

B/M No.	Rotation	Volute Case	Impeller	Impeller Diameter
B69500	CW	H05065	M04186	8" x 9"



Item No.	Part Description	Part Number
1	Case, Volute	See Table I
2	Impeller	See Table I
6	Shaft	L07262
14	Sleeve, Shaft	S39242L
16	Bearing, Ball	S13270
18	Bearing, Ball	S13271
19	Frame	H04007
22	Locknut	M10221
24	Locknut, Impeller	M10220
32	Key, 1/4x2-1/8"	S24255
35	Inner Bearing Cap	S19033
37	Outer Bearing Cap Assembly*	S19914
40	Slinger, Water	S12260
73	O-Ring [See Note 1]	M14943
78	Sleeve, Spacer	S08980
89	Seal, Mechanical Shaft	S32690

Item No.	Part Description	Part Number
801	Stud, 3/8-16x1-1/2" [8 Req.]	S23995
802	Nut, Hex 3/8-16 [8 Req.]	S23103
805B	Washer, Bearing Lock	S16181
810	Plug, Pipe 1/2 NPT [3 Req.]	S23717
811	Fitting, Grease	S23670
816	Ring, Retaining	S23009

NOTE 1: Also accepts gasket **S05126** as replacement for O-Ring. See **Supplement E** located at the beginning of this section.

* Includes grease fitting and set screw.



BERKELEY® B6ZRHS

Cast Iron Impeller

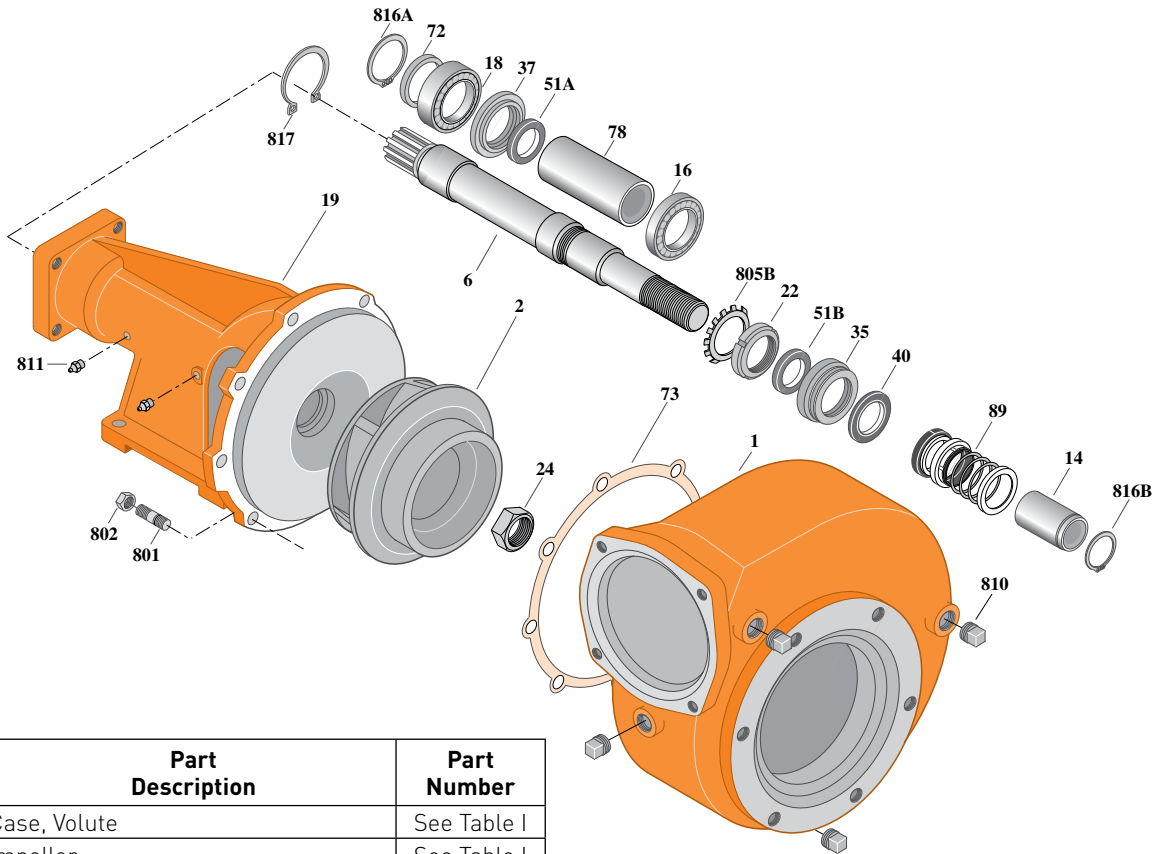
Special Flanged Case, Mechanical Seal Construction

BEARING FRAME MOUNT

Section	FM
Page	260.2M
Date	March 4, 2013
Supersedes 01/01/04	

Table I

B/M No.	Rotation	Volute Case	Shaft No.	Impeller	Impeller Diameter
B70374	CW	H01750	L07261	M04186	8" x 9"



2082 1095

Item No.	Part Description	Part Number
1	Case, Volute	See Table I
2	Impeller	See Table I
6	Shaft (See Note 1)	See Table I
14	Sleeve, Shaft	S39242
16	Bearing, Ball	S13270
18	Bearing, Ball	M10218
19	Frame	H05119
22	Locknut	M10221
24	Locknut, Impeller	M10220
35	Inner Bearing Cap	M10213
37	Outer Bearing Cap	M10214
40	Slinger, Water	S12260
51A	Seal, Oil	M10217
51B	Seal, Oil	M10216
72	Ring, Thrust	M10222
73	Gasket, Volute	S05126
78	Sleeve, Spacer	M10215

Item No.	Part Description	Part Number
89	Seal, Mechanical Shaft	S32690
801	Stud, 3/8-16x1-1/2" [8 Req.]	S23995
802	Nut, Hex 3/8-16 [8 Req.]	S23103
805B	Washer, Bearing, Lock	S16181
810	Plug, Pipe 1/2 NPT [4 Req.]	S23717
811	Fitting, Grease [2 Req.]	S23670
816A	Ring, Retaining	S23010
816B	Ring, Retaining	S23009
817	Ring, Retaining	S23023

NOTE 1: Shaft Replacement Kit is not available for this model. Order Replacement Shaft and associated components from above listing.

BERKELEY® B6ZRH

Cast Iron Impeller

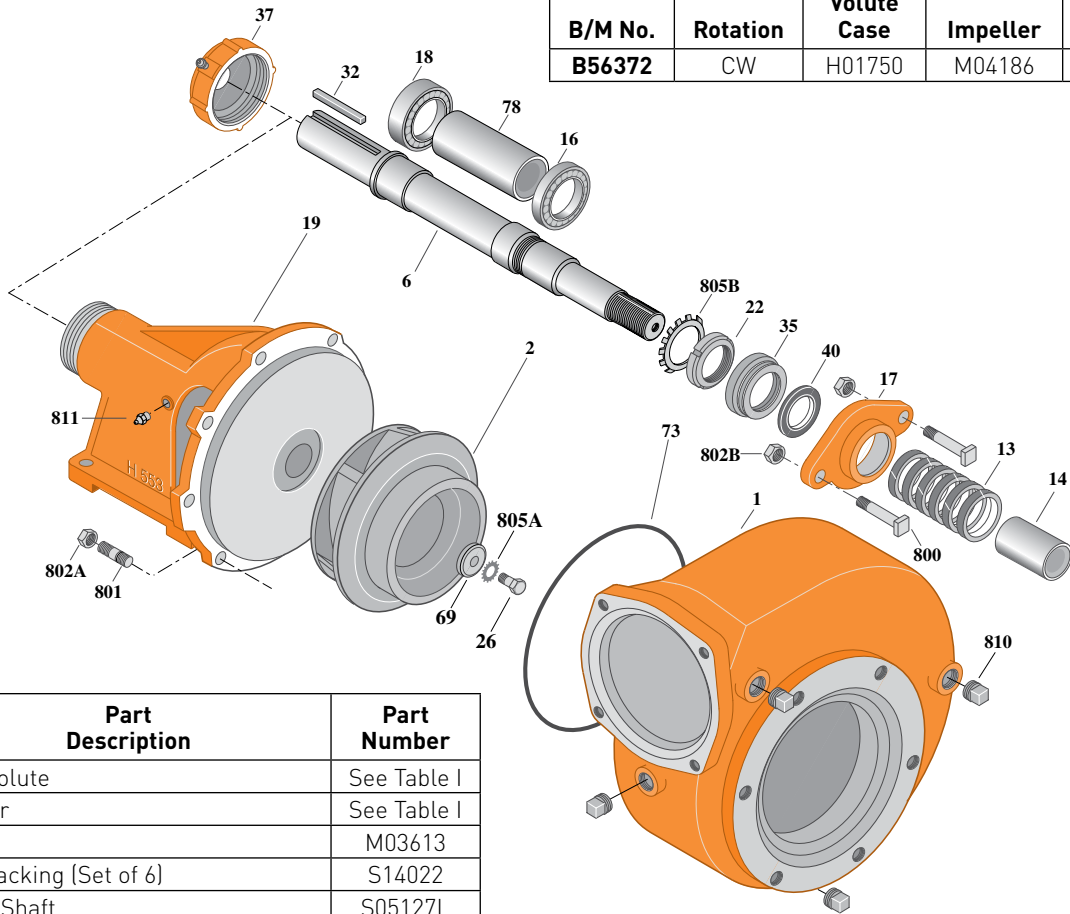
Flanged Case, Packing Construction

BEARING FRAME MOUNT

Section	FM
Page	260.3
Date	March 4, 2013
Supersedes 09/01/11	

Table I

B/M No.	Rotation	Volute Case	Impeller	Impeller Diameter
B56372	CW	H01750	M04186	8" x 9"



Item No.	Part Description	Part Number
1	Case, Volute	See Table I
2	Impeller	See Table I
6	Shaft	M03613
13	Ring, Packing (Set of 6)	S14022
14	Sleeve, Shaft	S05127L
16	Bearing, Ball	S13270
17	Gland, Packing (See Note 1)	S04948
18	Bearing, Ball	S13271
19	Frame	H00553
22	Locknut	M10221
26	Screw, Impeller 3/8-16 x 1-3/4"	S23572
32	Key, 1/4 x 2-1/8"	S24255
35	Inner Bearing Cap	S19033
37	Outer Bearing Cap Assembly*	S19914
40	Slinger, Water	S12260
69	Washer, Impeller	S06314
73	O-Ring** (See Note 2)	M14943
78	Sleeve, Spacer	S08980

6434 0811

Item No.	Part Description	Part Number
800	Bolt, 3/8-16 x 2-1/2" (2 Req.)	S23762
801	Stud, 3/8-16 x 1-1/4" (8 Req.)	S09942
802A	Nut, Hex 3/8-16 (8 Req.)	S23103
802B	Nut, Hex 3/8-16 (2 Req.)	S23343
805A	Washer, Lock	S23036
805B	Washer, Bearing Lock	S16181
810	Plug, Pipe 1/2 NPT (4 Req.)	U78-59ZPS
811	Fitting, Grease	M11141

NOTE 1: A two piece (split) stainless steel packing gland is available for replacement; order part number **B82468**.

NOTE 2: Also accepts gasket **S05126** as replacement for O-Ring. See **Supplement E** located at the beginning of this section.

* Includes grease fitting and set screw.

** Replace with same as original.