

BALDOR® • RELIANCE

Product Information Packet

AOM25904T

5HP,870RPM,3PH,60HZ,254T,3936M,TEAO,F1

Part Detail							
Revision:	Z	Status:	PRD/A	Change #:		Proprietary:	No
Type:	AC	Prod. Type:	3936M	Elec. Spec:	39WGZ042	CD Diagram:	CD0005
Enclosure:	TEAO	Mfg Plant:		Mech. Spec:	39J95	Layout:	39LYJ095
Frame:	254T	Mounting:	F1	Poles:	08	Created Date:	
Base:	RG	Rotation:	R	Insulation:	F	Eff. Date:	08-31-2016
Leads:	9#12 36" LG Y					Replaced By:	
Literature:		Elec. Diagram:					

Nameplate NP1256L										
CAT.NO.	AOM25904T									
SPEC.	39J95Z42									
HP	5 AIR OVER									
VOLTS	230/460									
AMP	17.8/8.9									
RPM	870									
FRAME	254T				HZ	60			PH	3
SER.F.	1.15		CODE	G	DES	B		CLASS	F	
NEMA-NOM-EFF	82.5		PF	64						
RATING	40C AMB-CONT									
CC								USABLE AT 208V	19.6	
DE	6309				ODE	6208				
ENCL	TEAO		SN							
	900 FPM AT 250 CFM									

Parts List		
Part Number	Description	Quantity
SA000239	SA 39J95Z42	1.000 EA
RA000239	RA 39J95Z42	1.000 EA
HA6016	ADAPTER, CAST CONDUIT BOX	1.000 EA
09GS1000	GASKET-CONDUIT BOX, 1/16 THICK LEXIDE	1.000 EA
09CB3002	CB W/1.38 LEAD HOLE FOR 37, 39, 307 & 30	1.000 EA
09GS1000	GASKET-CONDUIT BOX, 1/16 THICK LEXIDE	1.000 EA
19XW2520A16	SCREW,1/4-20X1 TAPTITE-II OR ROLOC 91	2.000 EA
HW1001A25	LOCKWASHER 1/4, ZINC PLT .493 OD, .255 I	2.000 EA
WD1000B17	T&B CX35TN TERMINAL	1.000 EA
11XW1032G06	10-32 X .38, TAPTITE II, HEX WSHR SLTD U	1.000 EA
39EP1100B01	STD FRONT EP, TENV	1.000 EA
HA4051A00	PLASTIC CAP FOR GREASE FITTING	1.000 EA
HW5100A08	W3118-035 WVY WSHR (WB)	1.000 EA
39EP1101A02	STD PU EP-ENCL-TEFC	1.000 EA
HA4051A00	PLASTIC CAP FOR GREASE FITTING	1.000 EA
10XN2520K28	1/4-20 X 1.75" HX HD SCRWGRADE 5, ZINC P	4.000 EA
HW1001A25	LOCKWASHER 1/4, ZINC PLT .493 OD, .255 I	4.000 EA
HA3154A01	STUD, 3/8-16 X 14.375	4.000 EA
XY3816A12	3/8-16 FINISHED NUT	8.000 EA
09CB3501	CONDUIT BOX LID FOR 09CB3001 & 09CB3002	1.000 EA
09GS1013	09 GS FOR 09CB3501 LID - LEXIDE	1.000 EA
51XW2520A12	.25-20 X .75, TAPTITE II, HEX WSHR SLTD	2.000 EA
HW2501G25	KEY, 3/8 SQ X 2.875	1.000 EA
LB1115N	LABEL,LIFTING DEVICE (ON ROLLS)	1.000 EA

Parts List (continued)		
Part Number	Description	Quantity
HW4500A03	GREASE FITTING, .125 NPT 1610(ALEMITE) 8	1.000 EA
HW4500A17	317400 ALEMITE GREASE RELIEF	1.000 EA
MJ1000A02	GREASE, POLYREX EM EXXON (USe 4824-15A)	0.030 LB
HW4500A03	GREASE FITTING, .125 NPT 1610(ALEMITE) 8	1.000 EA
HW4500A17	317400 ALEMITE GREASE RELIEF	1.000 EA
MG1000G27	MED CHARCOAL METALLIC GREY 400-0096	0.050 GA
85XU0407S04	4X1/4 U DRIVE PIN STAINLESS	2.000 EA
LC0005E01	CONN.DIA./WARNING LABEL (LC0005/LB1119N)	1.000 EA
NP1256L	ALUM UL CSA CC	1.000 EA
39PA1000	PACKAGING GROUP 39 PRINT	1.000 EA
MN416A01	TAG-INSTAL-MAINT no wire (1200/bx) 11/14	1.000 EA

AC Induction Motor Performance Data

Record # 13156 - Typical performance - not guaranteed values

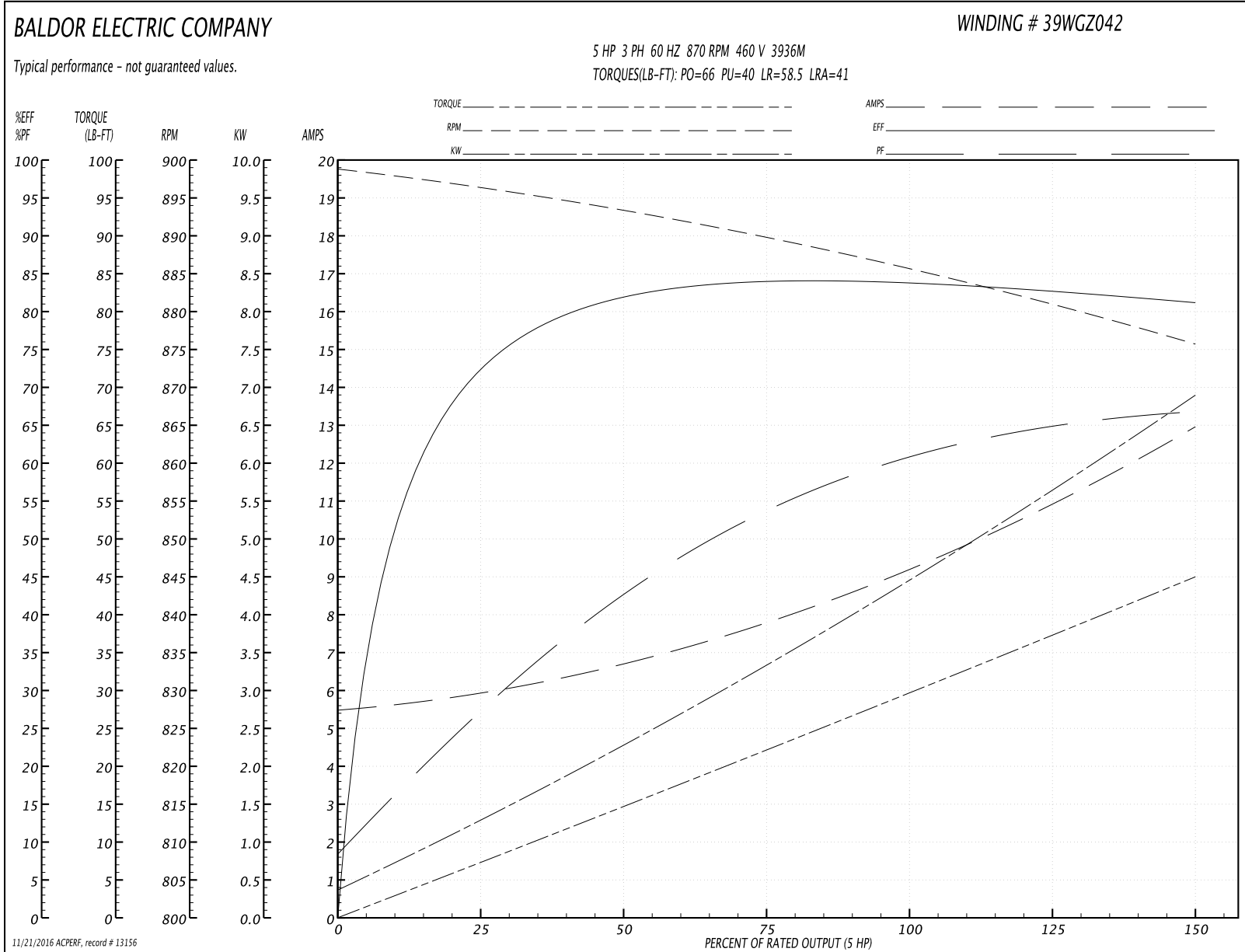
Winding: 39WGZ042-R001	Type: 3936M	Enclosure: TEAO
-------------------------------	--------------------	------------------------

Nameplate Data				460 V, 60 Hz: High Voltage Connection	
Rated Output (HP)	5 AIR OVER			Full Load Torque	30 LB-FT
Volts	230/460			Start Configuration	direct on line
Full Load Amps	17.8/8.9			Breakdown Torque	66 LB-FT
R.P.M.	870			Pull-up Torque	40 LB-FT
Hz	60	Phase	3	Locked-rotor Torque	58.5 LB-FT
NEMA Design Code	B	KVA Code	G	Starting Current	41 A
Service Factor (S.F.)	1.15			No-load Current	5.5 A
NEMA Nom. Eff.	82.5	Power Factor	64	Line-line Res. @ 25°C	2.385 Ω
Rating - Duty	40C AMB-CONT			Temp. Rise @ Rated Load	70°C
S.F. Amps				Temp. Rise @ S.F. Load	86°C
				Locked-rotor Power Factor	34
				Rotor inertia	2.89 LB-FT ²

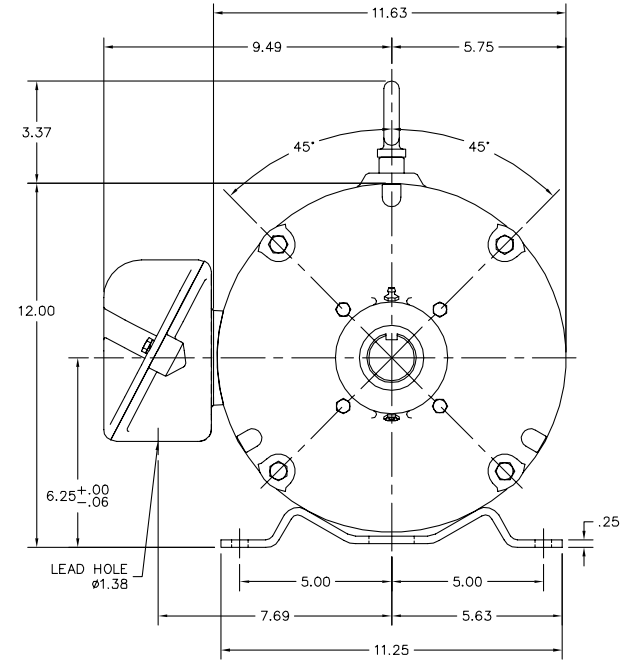
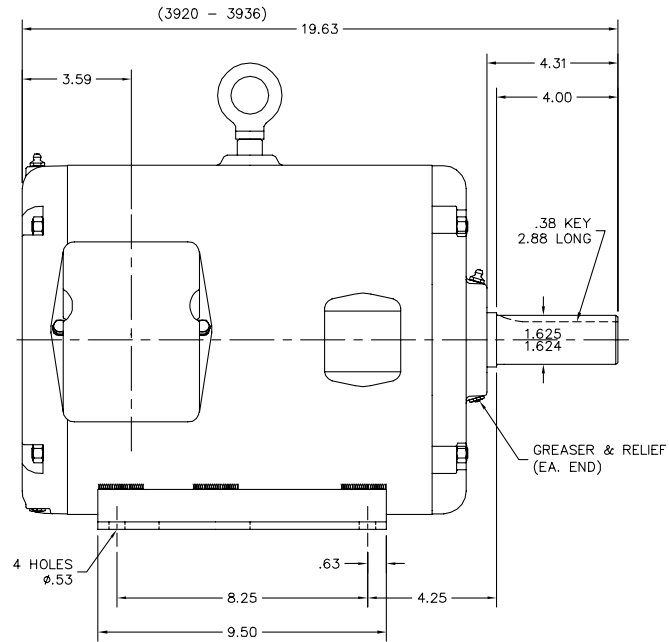
Load Characteristics 460 V, 60 Hz, 5 HP

% of Rated Load	25	50	75	100	125	150	S.F.
Power Factor	28	43	55	61	64	67	63
Efficiency	71.7	81.9	83.6	84.3	82.8	81	83.4
Speed	896	893	890	886	880	876	882
Line amperes	5.9	6.8	7.8	9.2	11.1	12.9	10.34

Performance Graph at 460V, 60Hz, 5.0HP Typical performance - Not guaranteed values



39LYJ095



39LYJ095

CUSTOMER IS RESPONSIBLE FOR DETERMINING THAT BALDOR'S PRODUCT WILL PERFORM SUITABLY IN THE INTENDED APPLICATION.

REV. DESC: ADDED MISSING DIMENSION		
REV. LTR: E	VERSION: 01	TDR: 000000858528
FILE: \AAA\00012\641	REVISED: 03:20:10 06/17/2014	BY: ENNINDO
MTL: -		

BALDOR

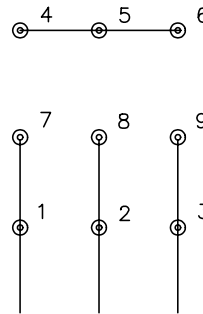
HOR TENV 254T "SUITABLE FOR VERT. MTG."

SH 1 of 1

CD0005

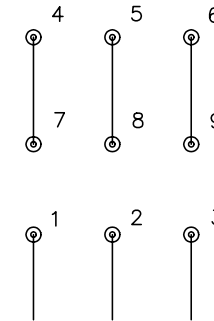


LOW VOLTAGE
(2Y)



LINE

HIGH VOLTAGE
(1Y)



LINE

NOTES:

1. INTERCHANGE ANY TWO LINE LEADS TO REVERSE ROTATION.
2. OPTIONAL THERMOSTATS ARE PROVIDED WHEN SPECIFIED.
3. ACTUAL NUMBER OF INTERNAL PARALLEL CIRCUITS MAY BE A MULTIPLE OF THOSE SHOWN ABOVE.
4. LEAD COLORS ARE OPTIONAL. LEADS MUST ALWAYS BE NUMBERED AS SHOWN.

REV. DESC: REVISE TO SHOW OPTIONAL COLORS			
REV. LTR: E	BY: JLP	REVISED: 01/19/99 10:15	TDR: 0171435
90000		FILE: AAA00005140	MDL: -
		MTL: -	

BALDOR ELECTRIC Co.

3PH, DV, 9 LEADS

CD0005