

# **BALDOR® • RELIANCE**

## **Product Information Packet**

### **CDP3306**

**.25HP, 1750RPM, DC, 56C, 3320P, TENV, F1**

| Part Detail |      |             |       |                |          |               |            |
|-------------|------|-------------|-------|----------------|----------|---------------|------------|
| Revision:   | W    | Status:     | PRD/A | Change #:      |          | Proprietary:  | No         |
| Type:       | DC   | Prod. Type: |       | Elec. Spec:    | 33WGZ132 | CD Diagram:   | CD0194     |
| Enclosure:  | TENV | Mfg Plant:  |       | Mech. Spec:    | 33-2051  | Layout:       | 33LY2051   |
| Frame:      | 56C  | Mounting:   | F1    | Poles:         | ///      | Created Date: |            |
| Base:       | RG   | Rotation:   | R     | Insulation:    | F        | Eff. Date:    | 04-13-2016 |
| Field Type: |      | Literature: |       | Elec. Diagram: |          | Replaced By:  |            |

| Nameplate NP0891L |                            |          |                            |
|-------------------|----------------------------|----------|----------------------------|
| CAT.NO.           | CDP3306                    |          |                            |
| SPEC.             | 33-2051Z132                |          |                            |
| HP                | .25                        | ENCL     | TENV                       |
| RPM               | 1750                       |          |                            |
| FRAME             | 56C                        | TYPE     | 3320P                      |
| ARM V             | 180                        | ARM A    | 1.25                       |
| FLD V             |                            | FLD A    |                            |
| INSUL             | F                          | AMB.     | 40                         |
| DUTY              | CONT                       | SUPPLY   | 1.3                        |
| BRG/DE            | 6203                       | BRG/ODE  | 6203                       |
| BRUSHES           | 2/BP5011CV01               |          |                            |
| SER.              |                            | BLANK    |                            |
| BLANK             | IP44                       |          |                            |
| APRV-CE           | <input type="checkbox"/> Y | APRV-CSA | <input type="checkbox"/> Y |
|                   |                            | APRV-UL  | <input type="checkbox"/> Y |

| Parts List    |  |          |
|---------------|--|----------|
| Part Number   | Description                              | Quantity |
| SA005041      | SA 33-2051Z132                           | 1.000 EA |
| AA002690      | AA 33-2051Z132                           | 1.000 EA |
| BP5011CV01SP  | CARBON BRUSH - 33P, 180V                 | 1.000 EA |
| BP5012A04SP   | BRUSH SPRING FOR DC MOTORS               | 1.000 EA |
| 33CB5000A03   | 33P BOX & LEAD ASSY                      | 1.000 EA |
| 33GS1006A01   | GASKET CONDUIT BOX (LEXIDE)              | 1.000 EA |
| 51XT0832A08   | 8-32 X 1/2 TY23 HXWS SLDSR               | 3.000 EA |
| 51XW0832G07   | 8-32 X 7/16 TY23 HXWS SLDSR GR           | 1.000 EA |
| 51XW0832A07   | 8-32 X .44, TAPTITE II, HEX WSHR SLTD SE | 4.000 EA |
| 33EP3101A04   | FR ENDPLATE, MACH                        | 1.000 EA |
| 33CB4501A01SP | BRUSH INSPECTION COVER                   | 2.000 EA |
| 33GS1005A01   | GASKET, BRUSH INSP. COVERELECTRICLY NON- | 2.000 EA |
| 51XW0832A07   | 8-32 X .44, TAPTITE II, HEX WSHR SLTD SE | 4.000 EA |
| HW5100A03SP   | WAVY WASHER (W1543-017)                  | 1.000 EA |
| 33EP3302A10   | PU ENDPLATE, MACH                        | 1.000 EA |
| 51XN1032A20   | 10-32 X 1 1/4 HX WS SL SR                | 2.000 EA |
| HA6887        | SHAFT PROTECTOR STAMPED STEEL 20 GA.     | 1.000 EA |
| 10XN2520A06   | 1/4 20X3/8 HX HD CAP                     | 2.000 EA |
| 34CB4512      | 34 CB LID                                | 1.000 EA |
| 34GS1001      | GASKET, STD CONDUIT BOX LID (LEXIDE)     | 1.000 EA |
| 51XW0832A07   | 8-32 X .44, TAPTITE II, HEX WSHR SLTD SE | 4.000 EA |
| HW2501D13     | KEY, 3/16 SQ X 1.375                     | 1.000 EA |
| HA7000A04     | KEY RETAINER 0.625 DIA SHAFTS            | 1.000 EA |
| HW3001B02     | BRASS CUP WASHER W/GROUND SYMBOL TAB,    | 1.000 EA |

| <b>Parts List (continued)</b> |  |                 |
|-------------------------------|--|-----------------|
| <b>Part Number</b>            | <b>Description</b>                       | <b>Quantity</b> |
| MG1000G27                     | MED CHARCOAL METALLIC GREY 400-0096      | 0.013 GA        |
| 10XF0440S02                   | 04-40 X 1/8 TYPE F HEX HD STAINLESS STIC | 2.000 EA        |
| 33RK5004SP                    | ROCKERARM                                | 1.000 EA        |
| HA3100S01                     | THRUBOLT- 10-32 X 8.187 302 OR 303 SS    | 2.000 EA        |
| LB1119N                       | WARNING LABEL                            | 1.000 EA        |
| LB1417                        | LABEL CARTON 6X4 PERFORATED BLANK ROLLS  | 1.000 EA        |
| MN416A01                      | TAG-INSTAL-MAINT no wire (1200/bx) 11/14 | 1.000 EA        |
| LC0194                        | CONNECTION LABEL                         | 1.000 EA        |
| NP0891L                       | NP STD LASER ENGRAVED DC MTRS, UL CSA CE | 1.000 EA        |
| 27PA1001                      | PKG GRP, PRINT PK1027A06                 | 1.000 EA        |

| <b>Accessories</b> |                                 |                   |
|--------------------|---------------------------------|-------------------|
| <b>Part Number</b> | <b>Description</b>              | <b>Multiplier</b> |
| TK3300             | TACHO MOUNTING KIT TK3300       | A8                |
| TK3300-HPU         | HPU10 MOUNTING KIT 33P/34P TENV |                   |

**DC Motor Performance Data**

Record # 2012 - Typical performance - not guaranteed values

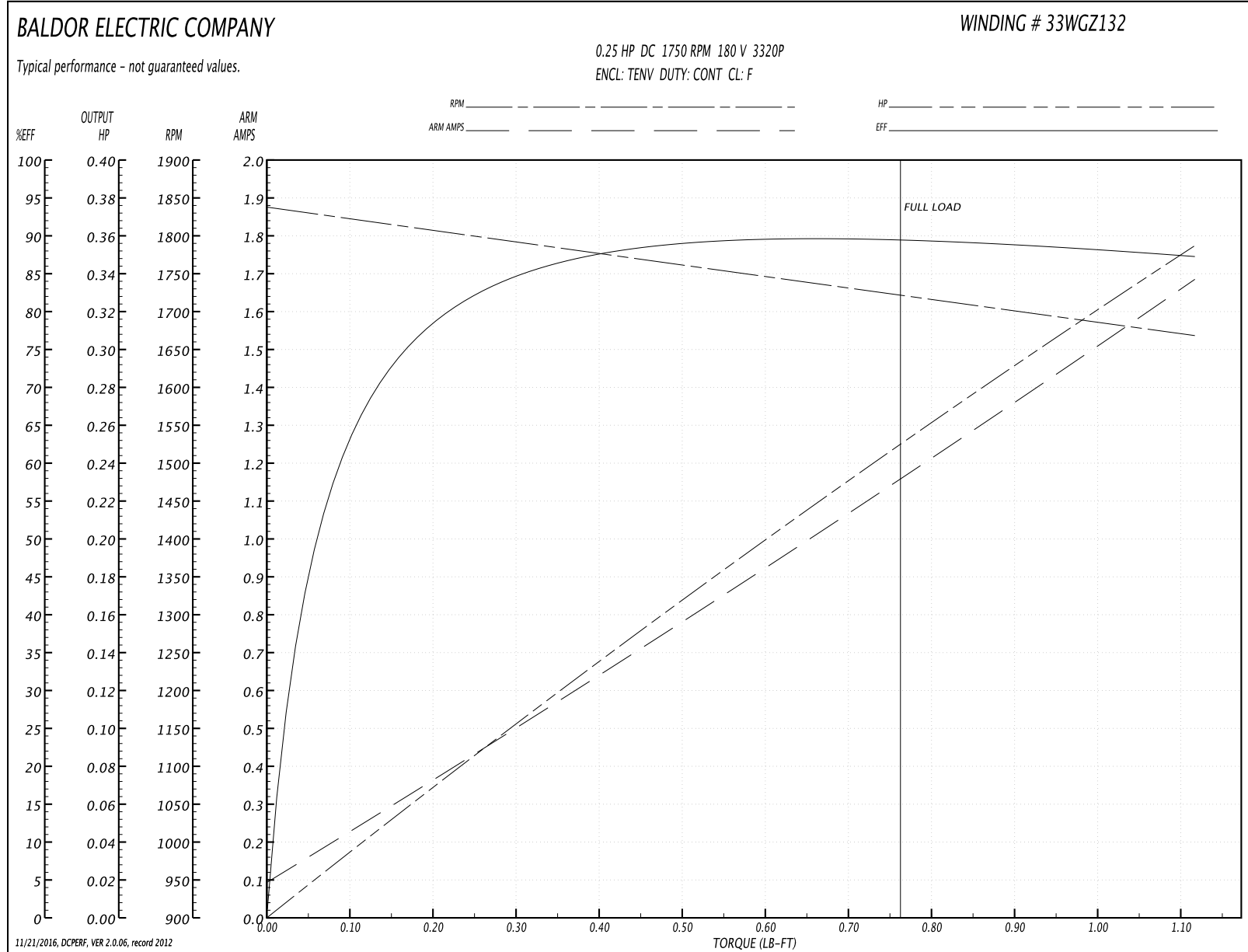
|                               |                    |                        |
|-------------------------------|--------------------|------------------------|
| <b>Winding:</b> 33WGZ132-R006 | <b>Type:</b> 3320P | <b>Enclosure:</b> TENV |
|-------------------------------|--------------------|------------------------|

| Nameplate Data    |              | General Characteristics    |                      |
|-------------------|--------------|----------------------------|----------------------|
| Rated Output (HP) | 0.25         | Armature Resistance @ 25°C | 8.54 Ω               |
| R.P.M.            | 1750         |                            |                      |
| Armature Volts    | 180          | Voltage Constant           | 98.01 v/krpm         |
| Armature Amps     | 1.25         |                            |                      |
| Field Volts       |              | Armature Inductance        | 60.59301 mH          |
| Field Amps        |              | Armature Inertia           | 4.68 LI <sup>2</sup> |
| Rating - Duty     | 40C AMB-CONT |                            |                      |
| Form Factor       | 1.3          |                            |                      |
|                   |              |                            |                      |

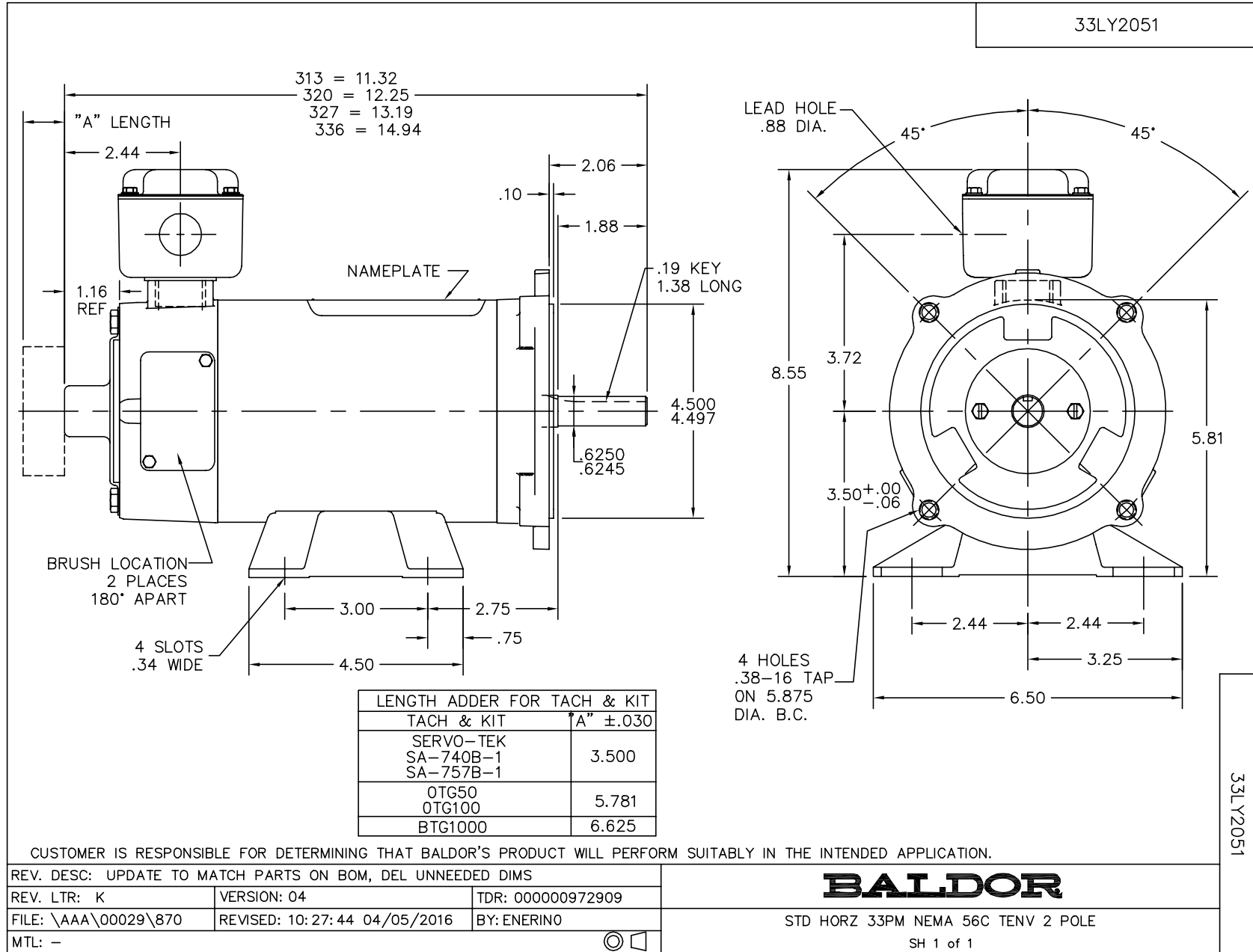
Load Characteristics at 180 Armature Volts

| Load Point       | 1    | 2     | 3     | 4     | 5     | 6     | 7     |
|------------------|------|-------|-------|-------|-------|-------|-------|
| Armature Amps    | 0.1  | 0.35  | 0.61  | 0.87  | 1.15  | 1.43  | 1.68  |
| R.P.M.           | 1830 | 1821  | 1779  | 1750  | 1720  | 1690  | 1673  |
| Torque ( LB-FT ) | 0    | 0.193 | 0.387 | 0.559 | 0.752 | 0.945 | 1.117 |

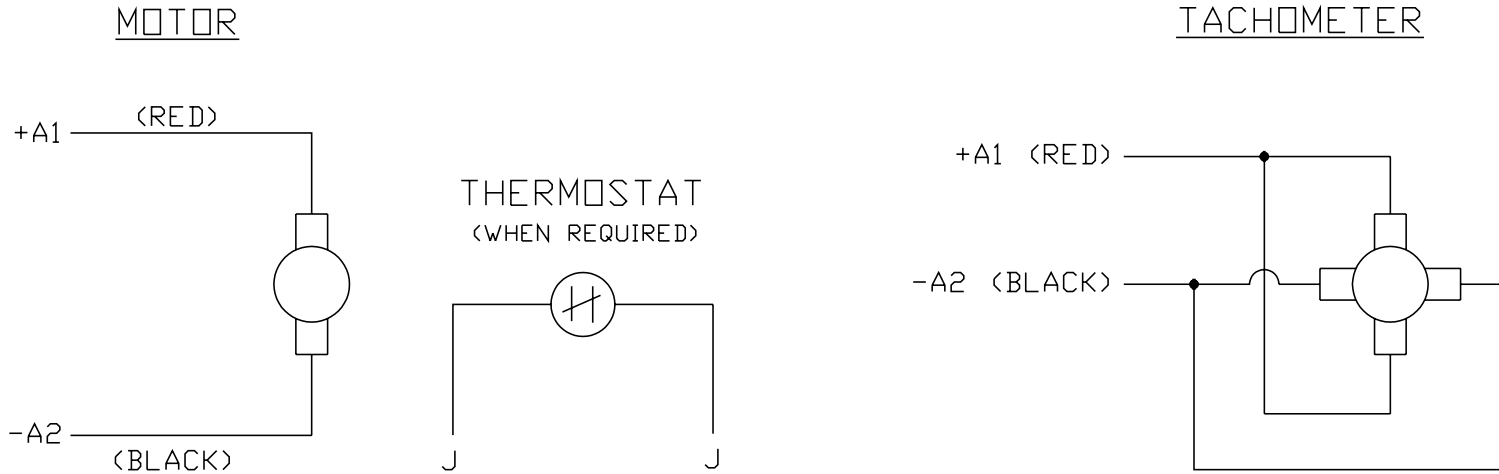
Performance Graph at 180.0 Arm V, 0.25HP Typical performance - Not guaranteed values







CD0194



NOTES:

1. CCW ROTATION AS SHOWN FACING COMMUTATOR END. TO REVERSE MOTOR ROTATION OR TACHOMETER OUTPUT POLARITY INTERCHANGE LEADS A1(RED) & A2(BLACK)
2. LEAD COLORS FOR REFERENCE ONLY & NOT SPECIFIED BY THIS DRAWING. LEAD COLORS SPECIFIED BY LAYOUT DRAWING & BILL OF MATERIAL ONLY.

|         |   |  |              |
|---------|---|--|--------------|
| MATL: - |   |  |              |
| REV:    | E | ADDED NOTE "LEAD COLORS FOR REFERENCE ONLY &..." |              |
| 761000  |   | SCALE: -   | BY: CK       |
| CD0194  |   | REvised: 07/28/95                                | TDR: 0078737 |
|         |   | FILE: AAA00004503                                |              |

**BALDOR ELECTRIC Co.**

CD TYPE P DC PERMANENT MAGNET MOTORS AND TACHOMETERS

CD0194