

# **BALDOR® • RELIANCE**

## **Product Information Packet**

# **CDPSWD3410**

**.25HP, 1750RPM, DC, 56C, 3413P, TEFC, F1**

Part Detail							
Revision:	X	Status:	PRD/A	Change #:		Proprietary:	No
Type:	DC	Prod. Type:		Elec. Spec:	34WG3673	CD Diagram:	CD0194
Enclosure:	TEFC	Mfg Plant:		Mech. Spec:	34-6694	Layout:	34LY6694
Frame:	56C	Mounting:	F1	Poles:	///	Created Date:	
Base:	RG	Rotation:	R	Insulation:	F	Eff. Date:	12-31-2014
Field Type:		Literature:		Elec. Diagram:		Replaced By:	

Nameplate NP1502			
CAT.NO.	CDPSWD3410		
SPEC.	34-6694-3673G1		
HP	.25	ENCL	TEFC
RPM	1750		
FRAME	56C	TYPE	3413P
ARM V	90	ARM A	2.7
FLD V		FLD A	
INSUL	F	AMB.	40
DUTY	CONT	SUPPLY	1.5
BRG/DE	6203	BRG/ODE	6203
BRUSHES	2/BP5000AW14		
		BLANK	
SER.			
BLANK			
APRV-CSA		APRV-UL	

Parts List		
Part Number	Description	Quantity
SA018051	SA 34-6694-3673G1	1.000 EA
AA003823	AA 34-6694-3673G1	1.000 EA
BP5000AW14SP	CARBON BRUSH - 33P, 180 VOLTS	1.000 EA
11XW1032G06	10-32 X .38, TAPTITE II, HEX WSHR SLTD U	1.000 EA
HW3001B01	BRASS CUP WASHER, FOR #8 SCREW	1.000 EA
HW4600B39SP	V-RING SLINGER 0.550 X 0.790 X .18 VITON	1.000 EA
HW4600A54	SEAL 0.668 X 1.064 X 0.250 DOUBLE SHIELD	1.000 EA
HW5100A03SP	WAVY WASHER (W1543-017)	1.000 EA
HA1049A01	DUBO LOK WASHER SIZE 10 (NYLON LOCK SEAL	2.000 EA
12XN1032S22	10-32 X 1 3/8 SLOT HEX, STAINLESS STEEL	2.000 EA
HW4606A01	JM CLIPPER/SEAL (WDE-0667-1064-BH49)	1.000 EA
11XW1032S06	10-32 X .38, TAPTITE II, HEX WSHR SLTD U	3.000 EA
80XN1032A03	10-32 X 3/16 SET SCREW	2.000 EA
34FN3002A01SP	EXTERNAL FAN, PLASTIC, .637/.639 HUB W/	1.000 EA
34FH4002A08	FAN COVER, #304 SS #4 FINISH (NUPAR	1.000 EA
11XW1032S06	10-32 X .38, TAPTITE II, HEX WSHR SLTD U	3.000 EA
11XW1032S06	10-32 X .38, TAPTITE II, HEX WSHR SLTD U	3.000 EA
BP5201A17	BRUSH HOLDER - WITHOUT CAP & CONN.	2.000 EA
34CB4504A04	CB LID, STAMPED,#304 SS #4 FINISH (NUPAR	1.000 EA
34GS1011A03	GASKET, CONDUIT BOX LID (.062 WHITE)	1.000 EA
59XW0832S07	TAPTITE II,HEX WSHR UNSLTD SER,410 S.S.,	2.000 EA
HW2502D13	SS KEY, 3/16 SQ X 1.375	1.000 EA
LB1164	LABEL,WARNING AND DRAIN	1.000 EA
BP4543A01	BRUSH HOLDER CAP, AE-74-SO W/O'RING	2.000 EA

<b>Parts List (continued)</b>		
<b>Part Number</b>	<b>Description</b>	<b>Quantity</b>
BP3000A02SP	AMP LEAD CLIP #60812-2 SPL	1.000 EA
HA5027A01	HA4066A01 T-DRAIN X2 BAGGED	1.000 EA
34EP3103B64U	ENDPLATE, FOR PAINT FREE WASHDOWN	1.000 EA
34EP3300A53U	ENDPLATE, FOR PAINT FREE WASHDOWN	1.000 EA
MJ1000A02	GREASE, POLYREX EM EXXON (USe 4824-15A)	0.001 LB
MJ5001A23	P.D. GEORGE B-276 AIR DRY VARNISH	1.000 GA
MJ5001A02	732 CL SEALANT 3 OZ DIXIE BEARING 289100	0.001 EA
MJ5004A05	#242-21 LOCTITE GENERAL PURPOSE MED. STR	0.001 EA
WD4102A01	SR-6L-1 HEYCO STRN RELIEF OR 23MPO6L10 M	1.000 EA
10XF0440S02	04-40 X 1/8 TYPE F HEX HD STAINLESS STIC	2.000 EA
ML14A1B14	14 AWG,A1,BLACK	8.500 IN
ML14A2B14	14 AWG,A2,BLACK	8.500 IN
HA3100S17	THRUBOLT 10/32 X 6.125 302 OR 303 SS	4.000 EA
MN416A01	TAG-INSTAL-MAINT no wire (1200/bx) 11/14	1.000 EA
LC0194	CONNECTION LABEL	1.000 EA
NP1502	WASHDOWN NP "DC MOTORS" UL CSA	1.000 EA
35PA1000	PKG GRP, PRINT PK1008A06	1.000 EA

**DC Motor Performance Data**

Record # 1428 - Typical performance - not guaranteed values

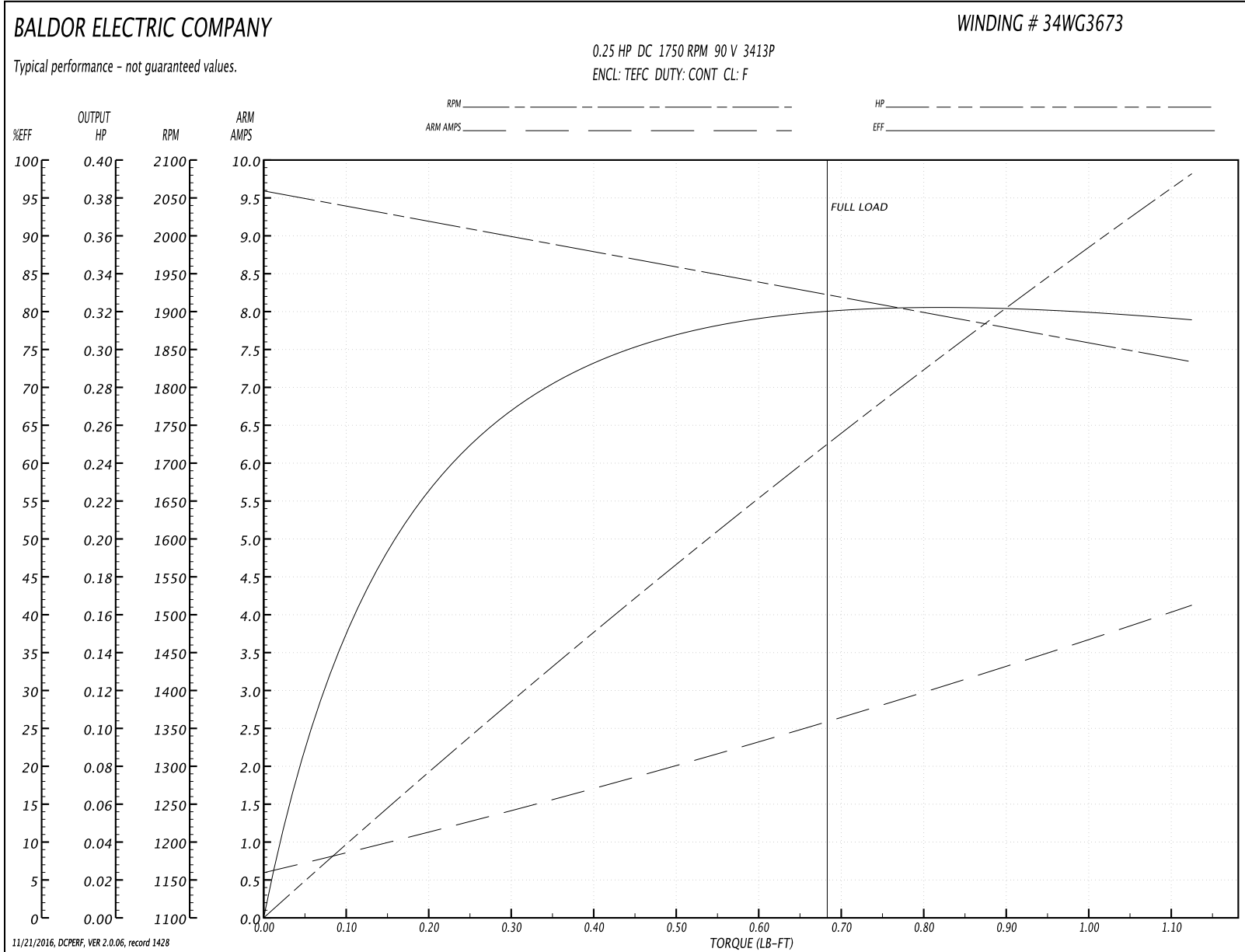
<b>Winding:</b> 34WG3673-R004	<b>Type:</b> 3413P	<b>Enclosure:</b> TEFC
-------------------------------	--------------------	------------------------

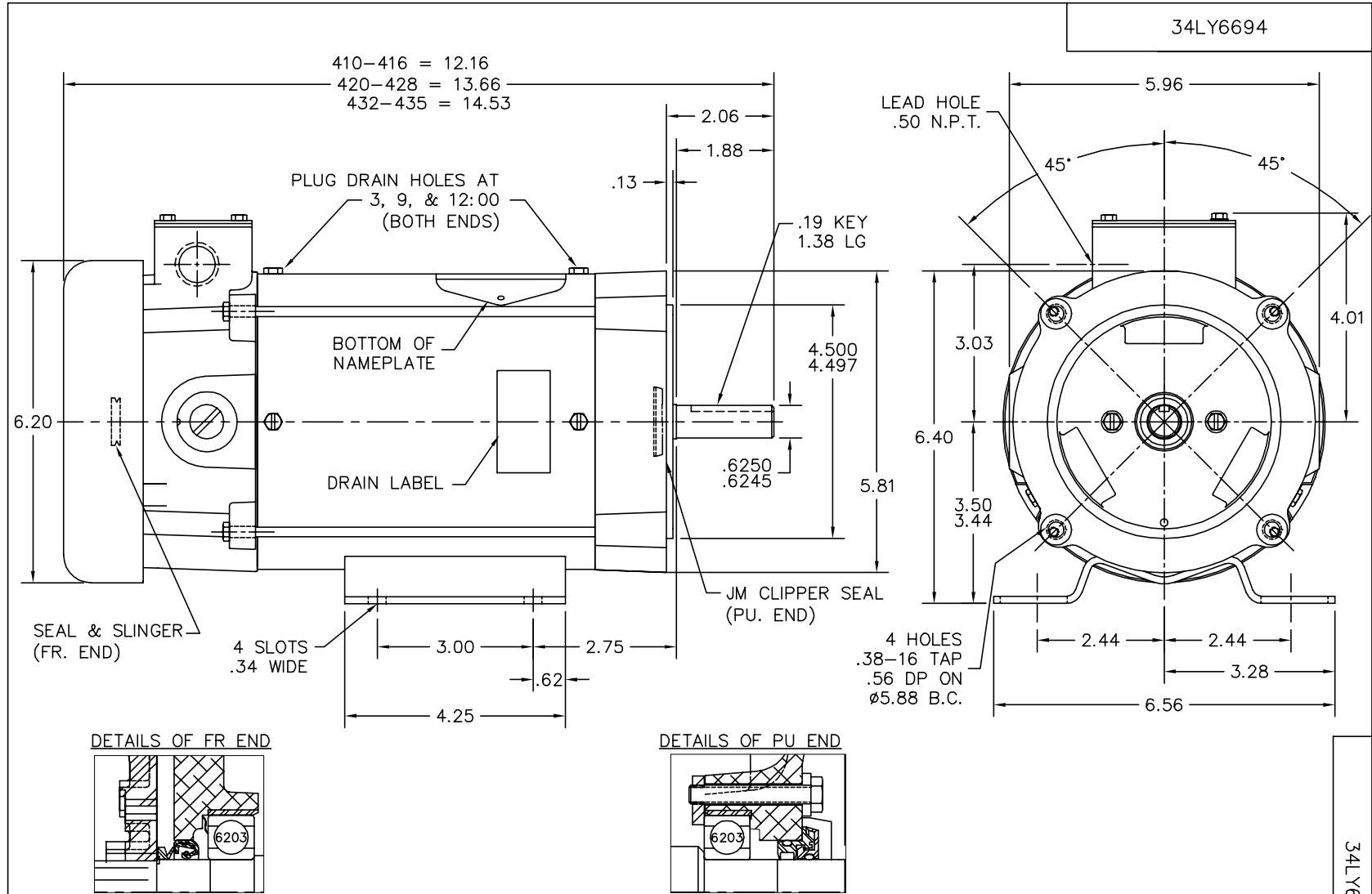
Nameplate Data		General Characteristics	
Rated Output (HP)	0.25	Armature Resistance @ 25°C	1.941 Ω
R.P.M.	1750		
Armature Volts	90	Voltage Constant	41.87 v/krpm
Armature Amps	2.7		
Field Volts		Armature Inductance	16.343 mH
Field Amps		Armature Inertia	5.0726 LI <sup>2</sup>
Rating - Duty	40C AMB-CONT		
Form Factor	1.5		

Load Characteristics at 90 Armature Volts

Load Point	1	2	3	4	5	6	7
Armature Amps	0.58	1.14	1.62	2.17	2.83	3.46	4.12
R.P.M.	2046	2020	1997	1958	1913	1863	1828
Torque ( LB-FT )	0	0.188	0.375	0.563	0.75	0.938	1.125

Performance Graph at 90.0 Arm V, 0.25HP Typical performance - Not guaranteed values





CUSTOMER IS RESPONSIBLE FOR DETERMINING THAT BALDOR'S PRODUCT WILL PERFORM SUITABLY IN THE INTENDED APPLICATION.

REV. DESC: REMOVE "EA SIDE" FROM DRAIN LABEL CALL-OUT		
REV. LTR: C	VERSION: 01	TDR: 000000563255
FILE: \AAA\00043\375	REVISED: 04:18:28 10/25/2010	
MTL: -	BY: ENJERWO	

**BALDOR**

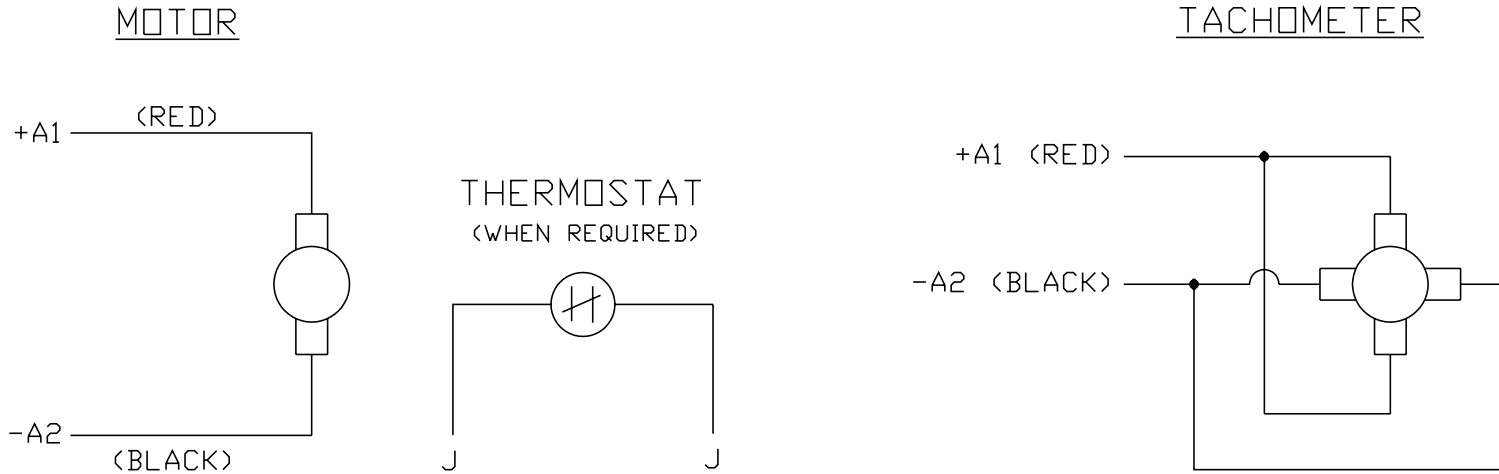
SPL HORZ 34PM NEMA 56C TEFC PAINT FREE WASHDOWN

SH 1 of 1

34LY6694



CD0194



NOTES:

1. CCW ROTATION AS SHOWN FACING COMMUTATOR END. TO REVERSE MOTOR ROTATION OR TACHOMETER OUTPUT POLARITY INTERCHANGE LEADS A1(RED) & A2(BLACK)
2. LEAD COLORS FOR REFERENCE ONLY & NOT SPECIFIED BY THIS DRAWING. LEAD COLORS SPECIFIED BY LAYOUT DRAWING & BILL OF MATERIAL ONLY.

MATL: -			
REV: E	ADDED NOTE "LEAD COLORS FOR REFERENCE ONLY &..."		
CD0194	SCALE: -	BY: CK	REVISED: 07/28/95
	FILE: AAA00004503	TDR: 0078737	

**BALDOR ELECTRIC Co.**

CD TYPE P DC PERMANENT MAGNET MOTORS AND TACHOMETERS

CD0194